

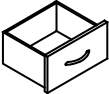








Assembly Instructions

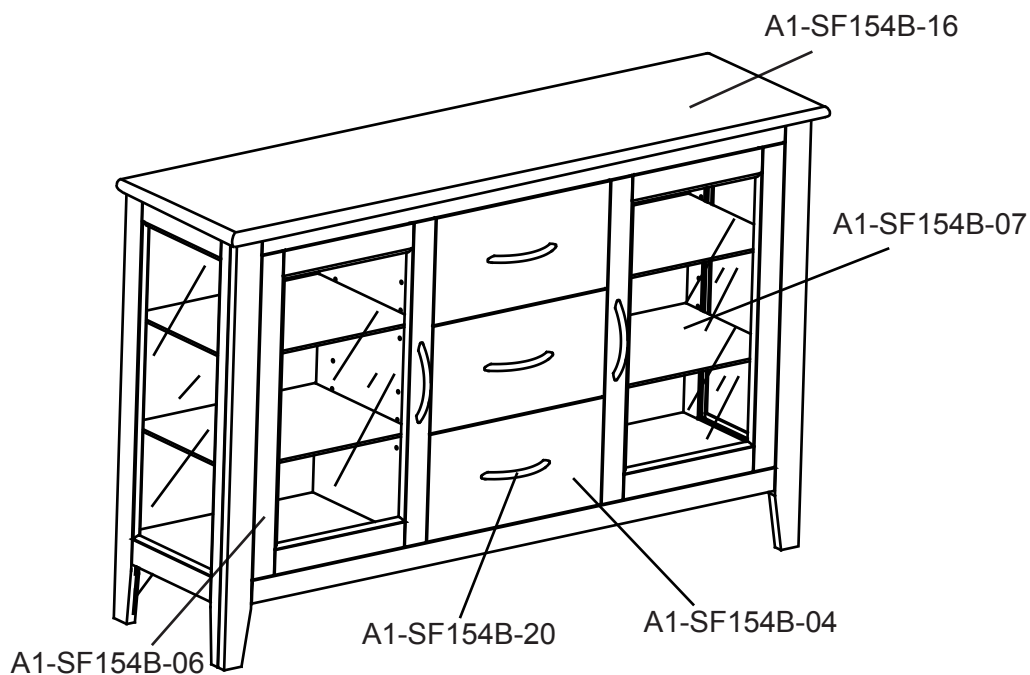
A1-SF154B--C

SERVER

PARTS LIST

| PART NO | FIGURE | DESCRIPTION | QTY |
|--------------|-------------------------------------------------------------------------------------|-----------------|-------|
| A1-SF154B-01 |  | Hardware Bag | 1 pce |
| A1-SF154B-16 |  | Table Server | 1 pce |
| A1-SF154B-04 |  | Drawer | 3 pcs |
| A1-SF154B-06 |  | Door Glass | 2 pcs |
| A1-SF154B-07 |  | Glass Shelf | 4 pcs |
| A1-SF154B-20 |  | Handle | 5 pcs |
| A1-SF154B-30 |  | Plastic Nail | 2 pce |
| A1-SF154B-22 |  | Levelers | 3 pcs |
| A1-SF154B-29 |  | Center Bun Foot | 1 pce |

IMPORTANT NOTE : Please keep all hardware parts out of the reach of children.



Assembly Instructions

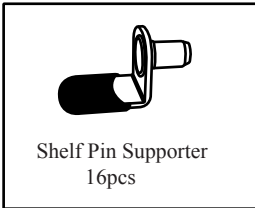
A1-SF154B--C

SERVER

Reminders :

- Two people are needed for assembly.
- Use only hardware supplied.
- Do not over tighten bolts.
- This item may require periodic tightening.

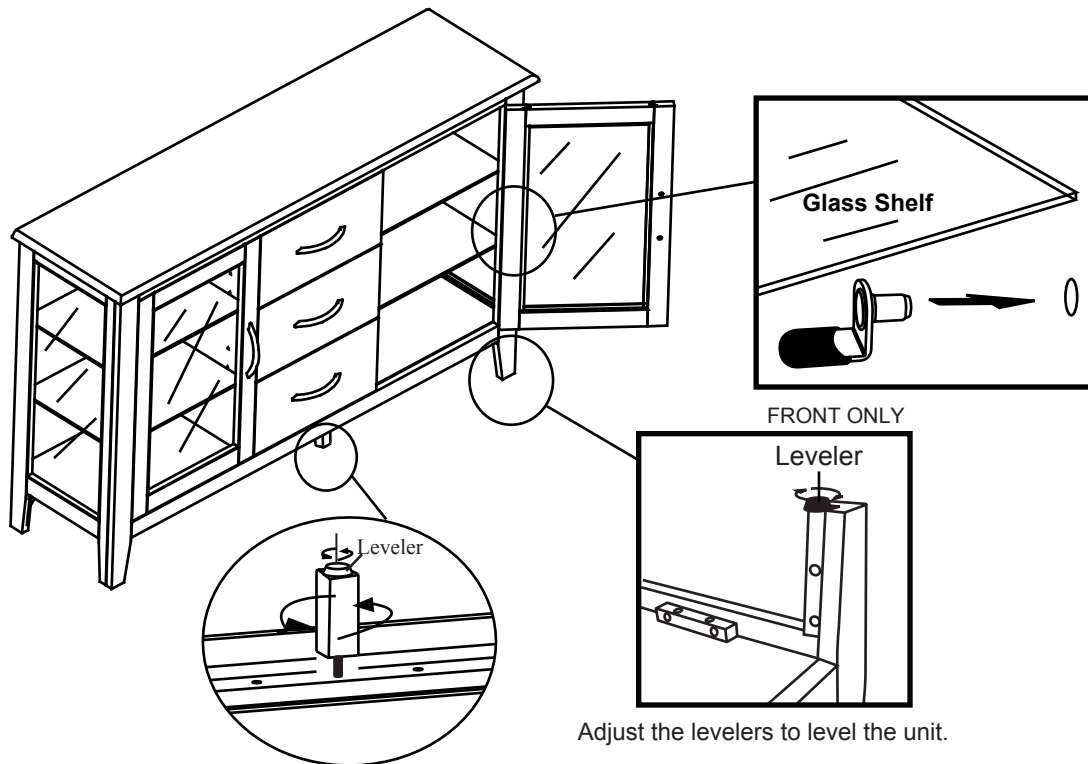
HARDWARE PART :



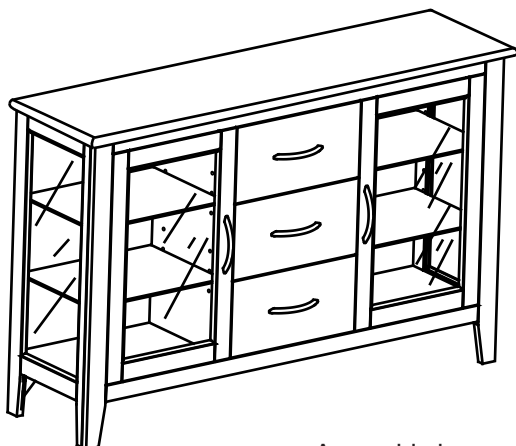
ASSEMBLY :

STEP 1

Insert support leg to the bottom of the sideboard as shown on Fig1. Insert the shelf pin supporter into the server and place glass shelf on them as shown on Fig.1



STEP 2



Assembly is now Completed.

IMPORTANT NOTE :

~ Please keep all hardware out of the reach of children.

CARE INSTRUCTION

- ~ Be sure to use the same type of polish consistently. Your furniture will appear cloudy or streaky if oil based or wax based polishes are interchanged.
- ~ Spray your furniture surface evenly. Wipe in a circular motion with a soft clean cloth.