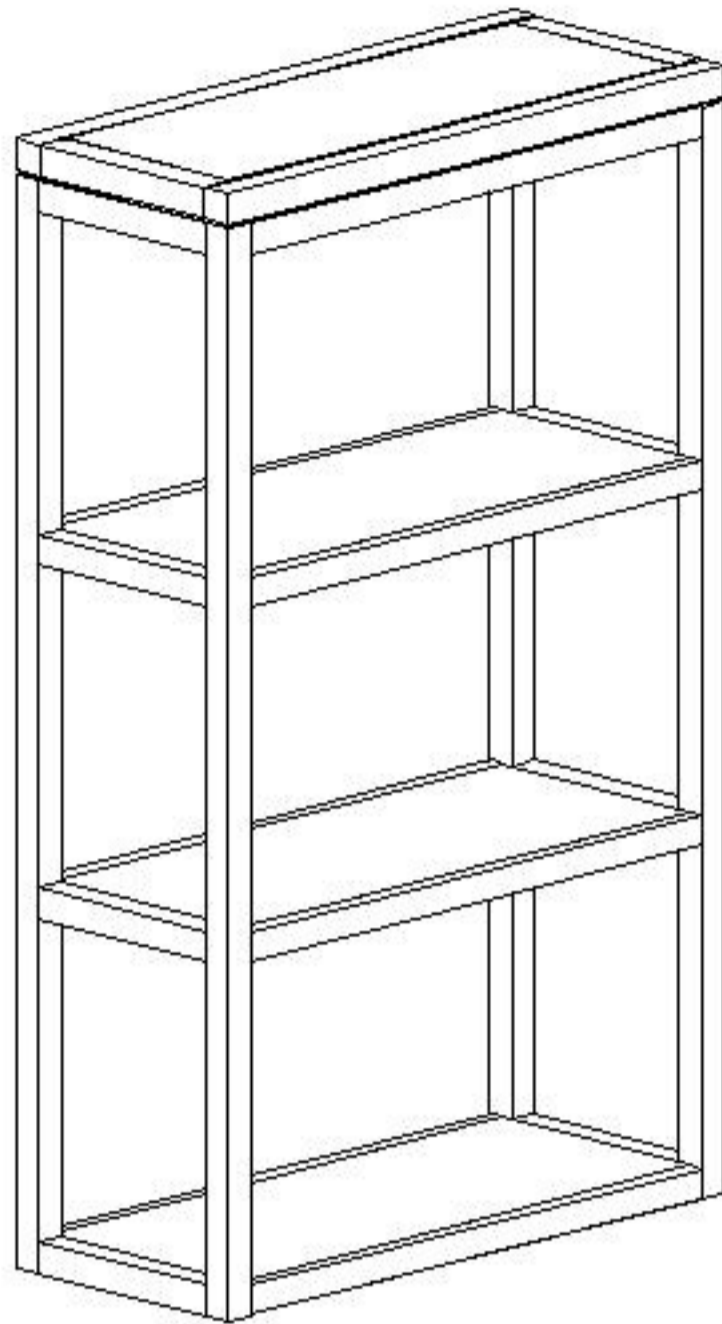


STUDIO 49" BOOKCASE

ASSEMBLY INSTRUCTION

Pg.1/2



Thank you for purchasing this quality product. Be sure to check all packing material carefully for small parts that may come loose inside the carton box during shipment.

IMPORTANT

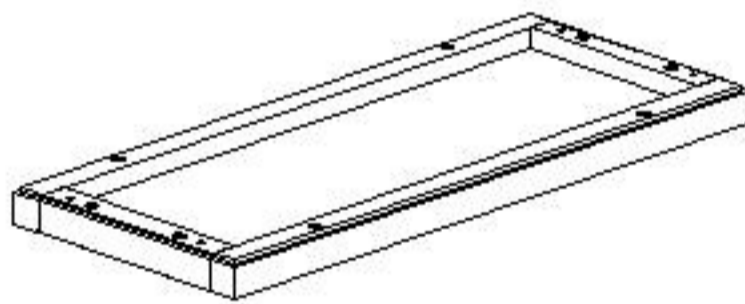
Please go through this assembly instruction before starting assembly. Kindly follow the sequence listed to assure fast, easy and correct assembly.

CARE & MAINTENANCE

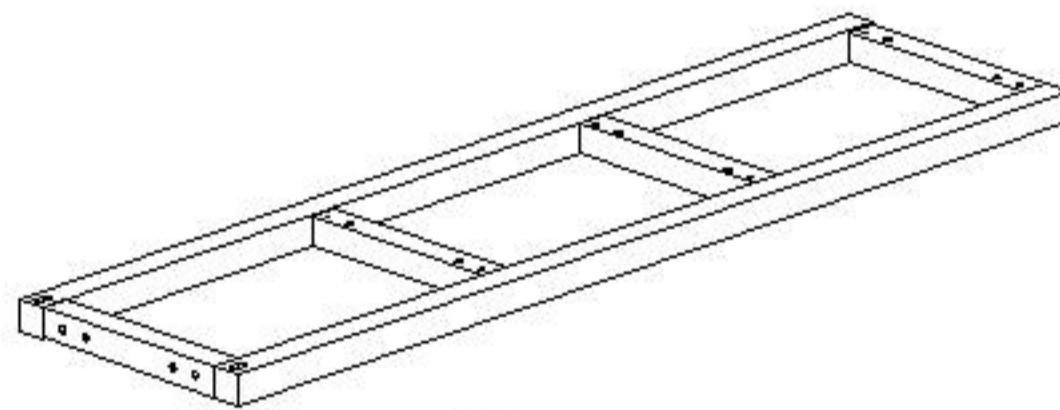
Wipe clean with soft cloth and furniture polish.

MADE IN MALAYSIA

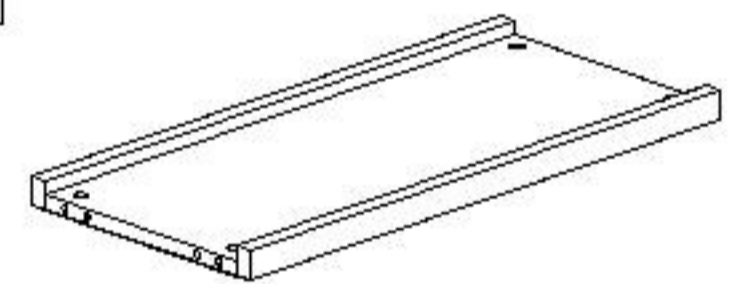
PARTS LIST



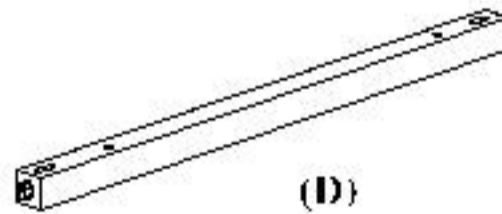
(A)
Top Panel - 1 pc



(B)
Side Panel - 2 pcs



(C)
Fixed Shelf - 3 pcs

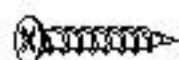


(D)
Top Rail - 2 pcs

HARDWARE LIST



(1) Wooden Dowel - 16 pcs



(2) M4x38mm Chipboard
Screw - 4 pcs



(3) Camlock Screw - 12 pcs



(4) Camlock & Cap - 12 pcs



(5) M6x40mm JCB
Screw - 8 pcs



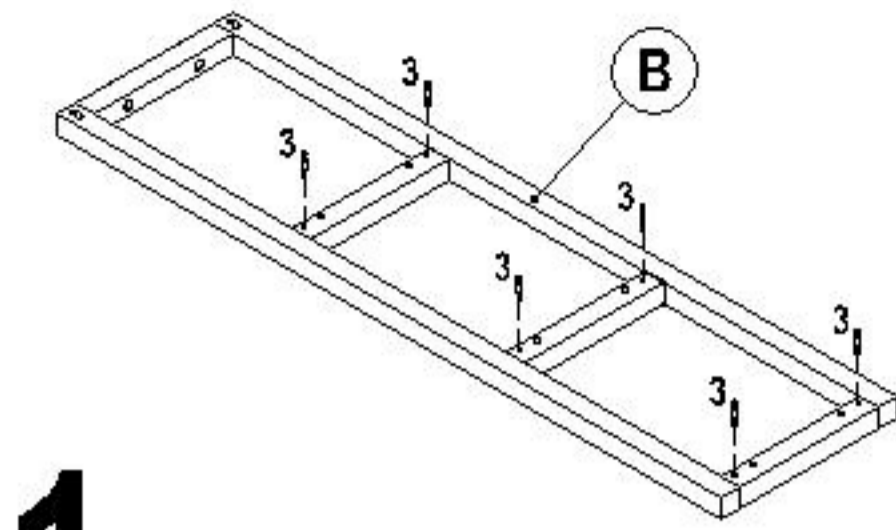
(6) 4mm Hex Wrench - 1 pc

Note: EXTRA hardware are included

STUDIO 49" BOOKCASE

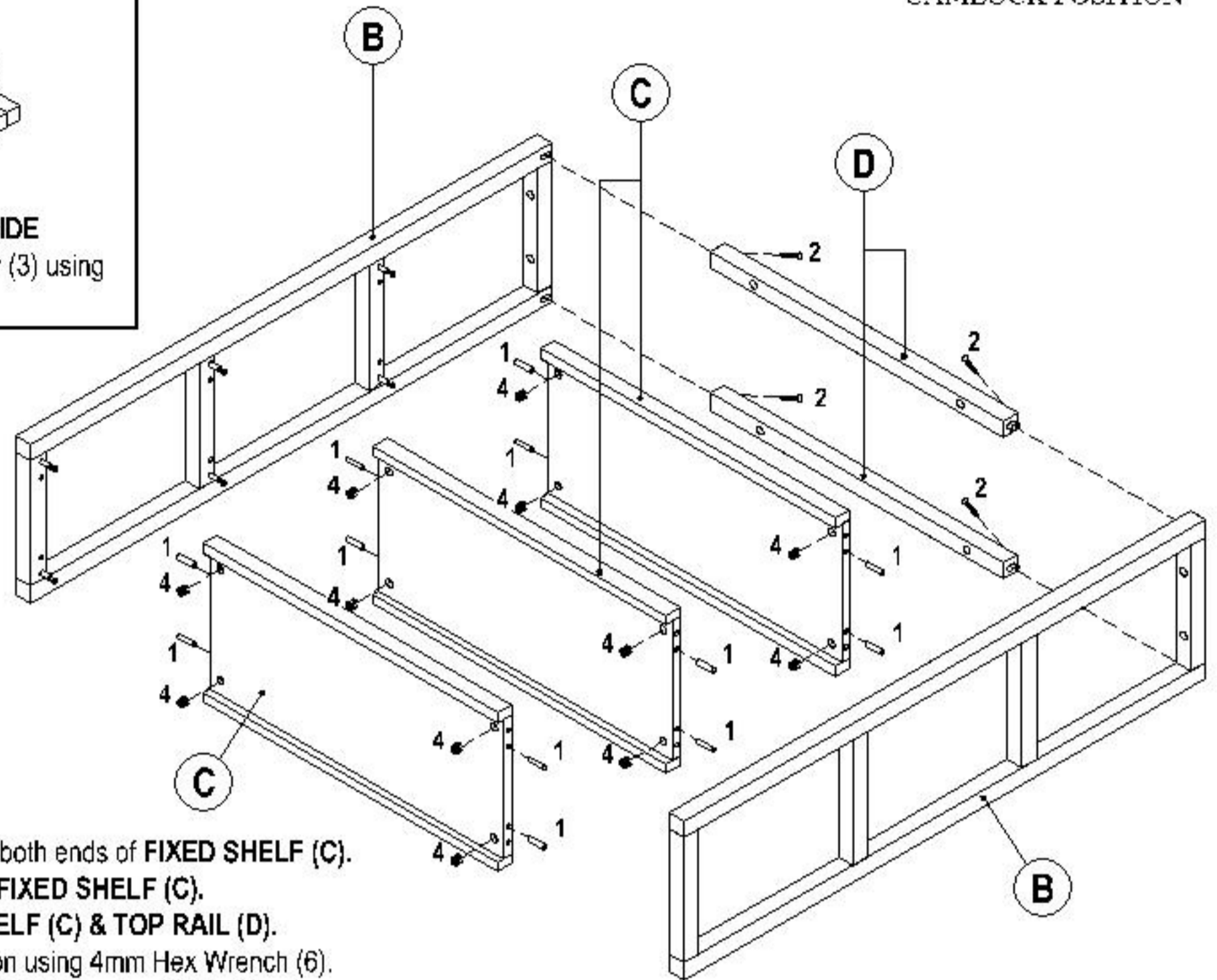
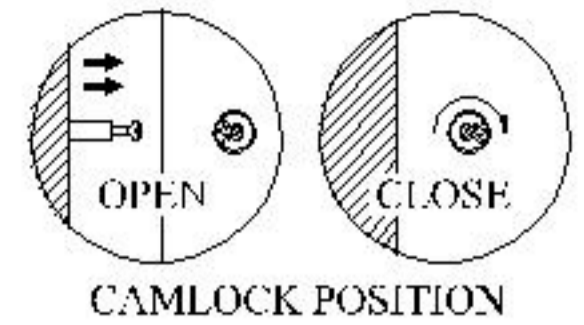
ASSEMBLY INSTRUCTION

Pg.2/2



1

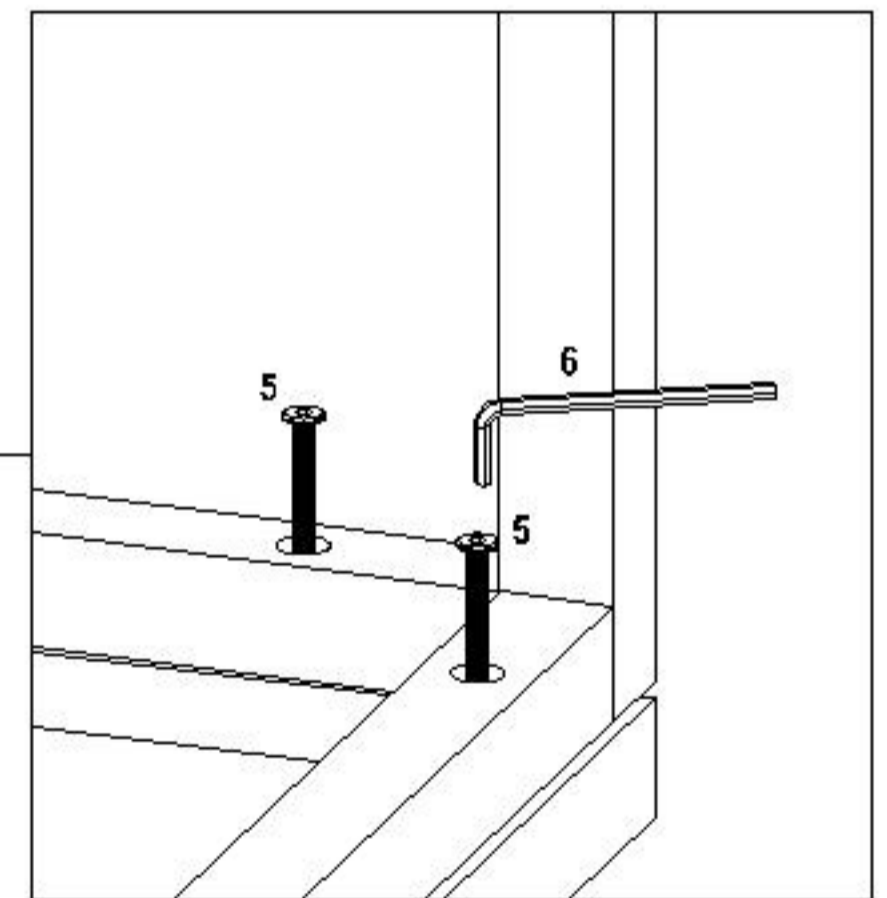
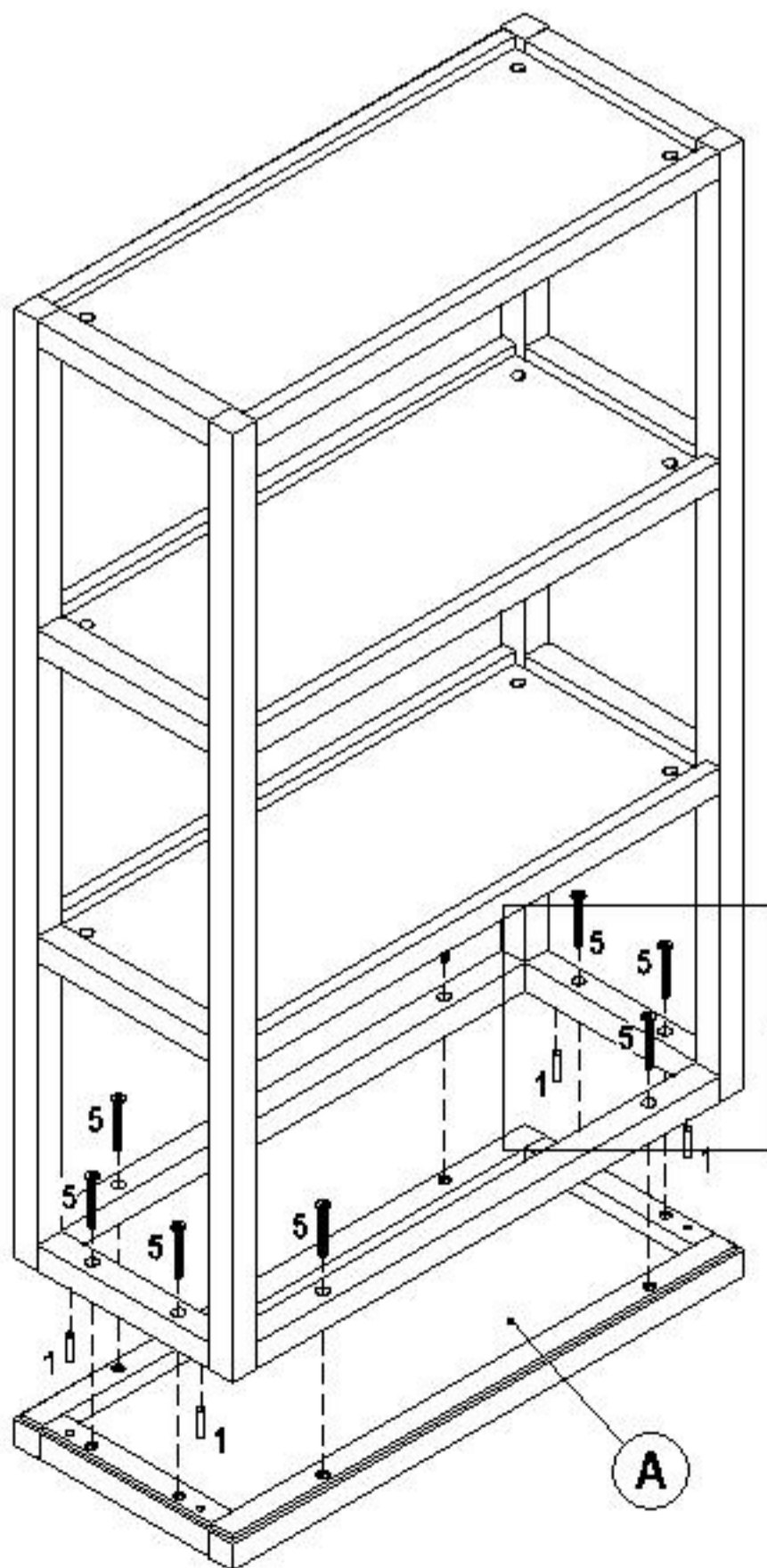
Insert Camlock Screw (3) into holes on **SIDE PANEL (B)**. Fully tighten Camlock Screw (3) using Phillips Head Screwdriver.



2

- (i) Insert Wooden Dowel (1) into holes at both ends of **FIXED SHELF (C)**.
- (ii) Insert Camlock (4) in open position at **FIXED SHELF (C)**.
- (iii) Attach **SIDE PANEL (B)** to **FIXED SHELF (C)** & **TOP RAIL (D)**.
- (iv) Tighten all Camlock (4) to close position using 4mm Hex Wrench (6).
- (v) Tighten Chipboard Screw (2) to **TOP RAIL (D)** using Phillips Head Screwdriver.

3



- (i) Insert Wooden Dowel (1) into holes at top of **SIDE PANEL (B)**.
- (ii) Carefully place the **TOP PANEL (A)** on a flat safe surface.
NOTE : Please find a suitable surface to avoid damaging the parts.
- (iii) Attach the assembled unit to **TOP PANEL (A)** using guiding dowels.
- (iv) Insert JCBC Screw (5) into correct hole position at **SIDE PANEL (B)** & **TOP RAIL (D)**, fully tighten the screw using 4mm Hex Wrench (6).