




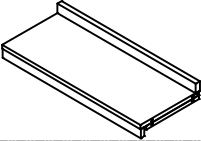
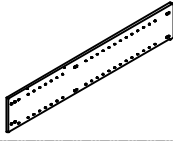
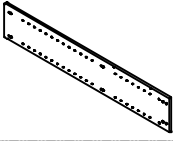
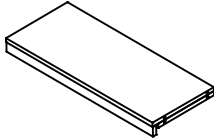
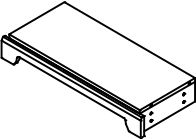
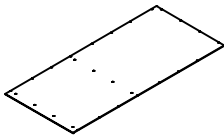
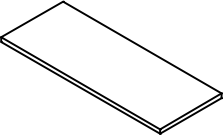
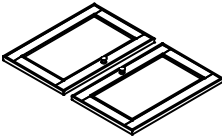


**Hardware List**

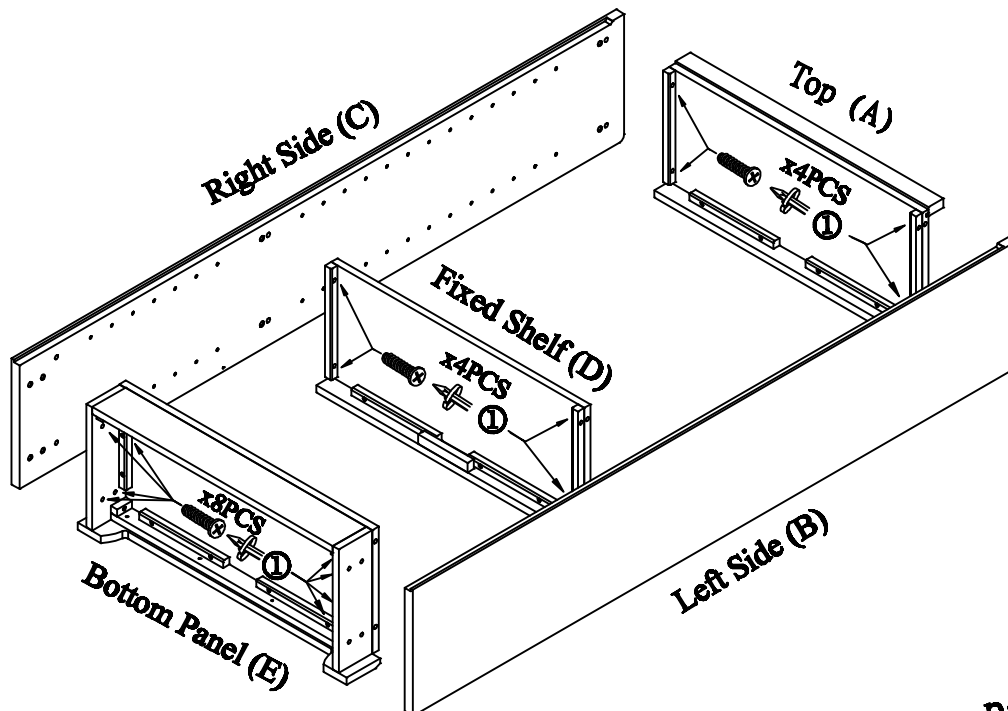
1		16PCS 1/4"x1-1/4" Machine Bolts	2		28PCS 7/8"Sharp end screws
3		16PCS Shelf Clips	4		16PCS 3/4" Sharp end screws
5		12PCS 5/8" Sharp end screws			

**Parts List**

A	TOP	1 PC	B	Left Side Panel	1 PC	C	Right Side Panel	1 PC
								
D	Fixed Shelf	1 PC	E	Bottom Panel	1 PC	F	Back Panel	1 PC
								
G	Adjustable shelves	4 PCS	H	DOOR	2 PCS			
								

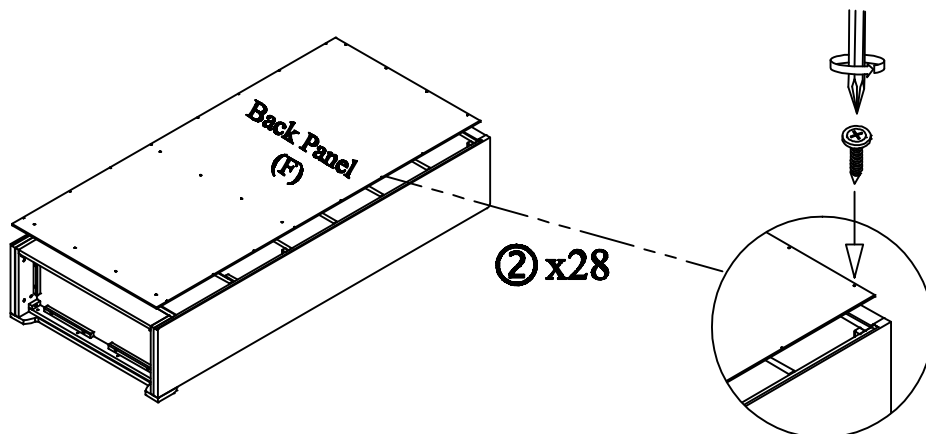
**Step1:**

Place the bottom panel (E), fixed shelf (D) and top panels (A) front facing down on a non abrasive surface. Insert  $\text{O}$ (4PCS) through the bottom panel (E) to connect right side panel (C) .Then insert  $\text{O}$ (2PCS) through the fixed shelf (D) to connect the right side panel (C) and  $\text{O}$ (2PCS) to connect the top (A) and the right side panel (C). do the same procedure to the left side panel (B).



**Step 2:**

Place the back panel (F) over the bookcase. with finish facing down. once the back panel (F) is aligned insert ② (28 PCS) through the predrilled holes to connect the bookcase.

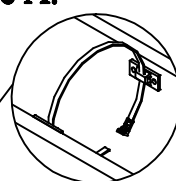


**Step 3.**

Locate the desired position of the shelves, insert shelf clips in corresponding holes. Place Adjustable shelves(G) on shelf clips and fasten with 3/4" sharp end screws using a phillips head screwdriver.

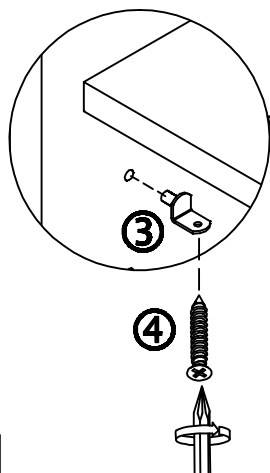
**Step 4.**

Attach the 2 hinges (3 holes on each hinge, 6 holes total) from the door (H) to the side panel by using ⑤(2PCS) 5/8" sharp end screws, insert and tighten through hole A. Then insert and tighten 4 3mmx5/8" sharp end screws through holes B. Caution:For safety purpose please install the tip restraint kit .



Tip Restraint

**Step 3**



**Step 4**

