




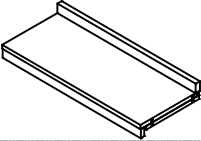
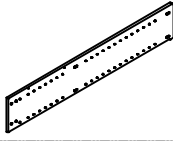
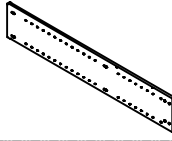
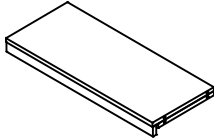
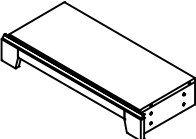
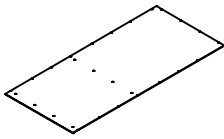
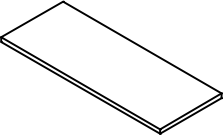
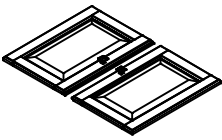


Hardware List

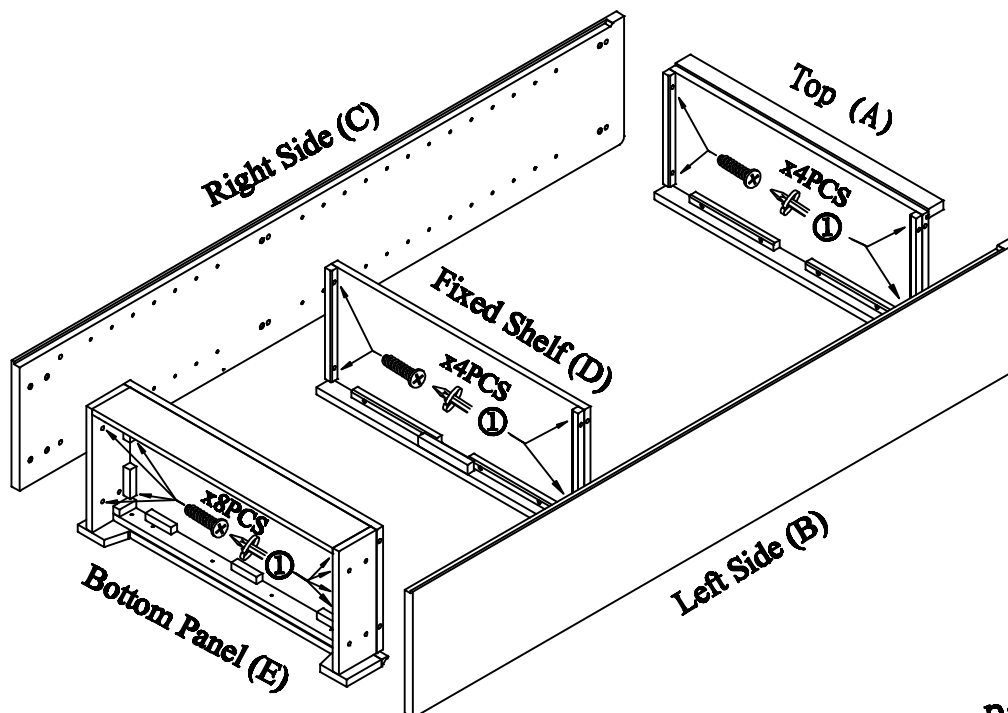
1		16PCS 1/4"x1-1/4" Machine Bolts	2		28PCS 7/8"Sharp end screws
3		16PCS Shelf Clips	4		16PCS 3/4" Sharp end screws
5		12PCS 5/8" Sharp end screws			

Parts List

A	TOP	1 PC	B	Left Side Panel	1 PC	C	Right Side Panel	1 PC
								
D	Fixed Shelf	1 PC	E	Bottom Panel	1 PC	F	Back Panel	1 PC
								
G	Adjustable shelves	4 PCS	H	DOOR	2 PCS			
								

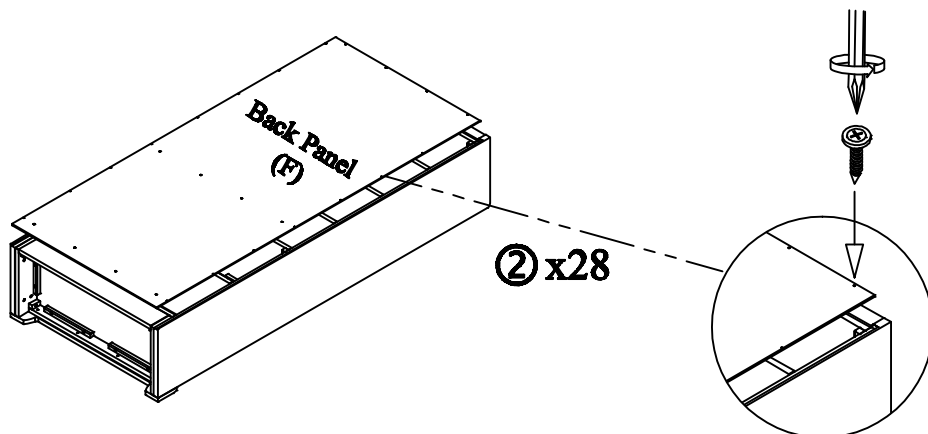
Step1:

Place the bottom panel (E), fixed shelf (D) and top panels (A) front facing down on a non abrasive surface. Insert O (4PCS) through the bottom panel (E) to connect right side panel (C). Then insert O (2PCS) through the fixed shelf (D) to connect the right side panel (C) and O (2PCS) to connect the top (A) and the right side panel (C). do the same procedure to the left side panel (B).



Step 2:

Place the back panel (F) over the bookcase. with finish facing down. once the back panel (F) is aligned insert ② (28 PCS) through the predrilled holes to connect the bookcase.



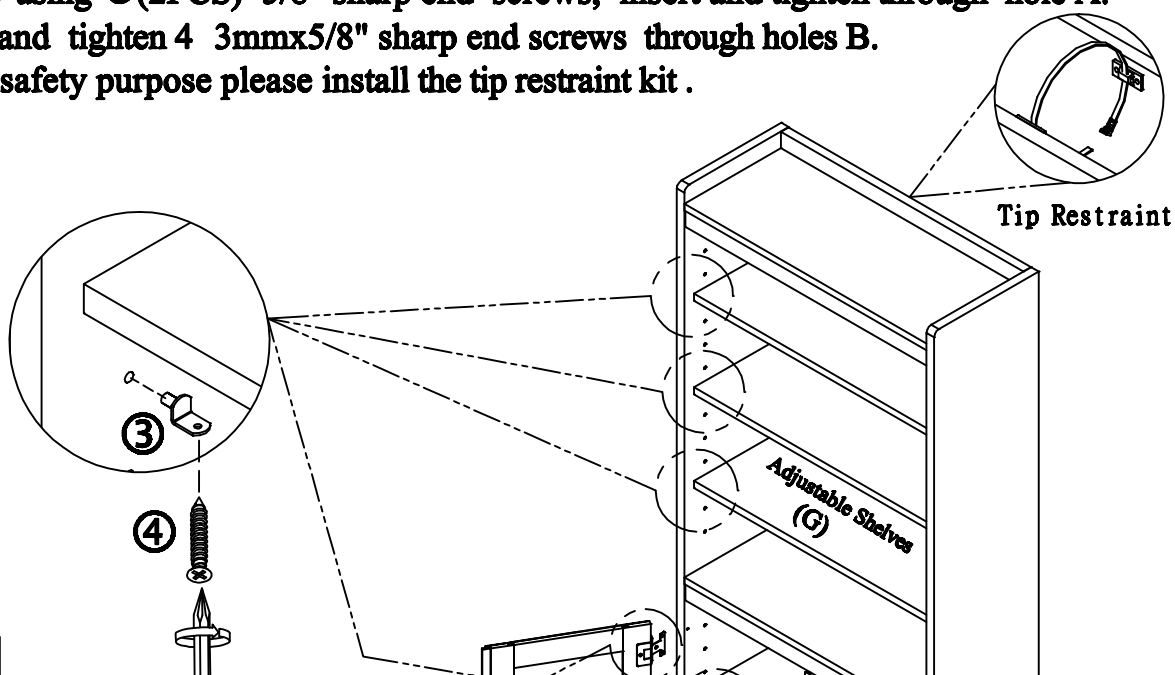
Step 3.

Locate the desired position of the shelves, insert shelf clips in corresponding holes. Place Adjustable shelves(G) on shelf clips and fasten with 3/4" sharp end screws using a phillips head screwdriver.

Step 4.

Attach the 2 hinges (3 holes on each hinge, 6 holes total) from the door (H) to the side panel by using ⑦(2PCS) 5/8" sharp end screws, insert and tighten through hole A. Then insert and tighten 4 3mmx5/8" sharp end screws through holes B. Caution:For safety purpose please install the tip restraint kit .

Step 3



Step 4

