






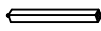
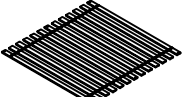














ASSEMBLY INSTRUCTIONS

PROD. NO : BFC2001Q, BFG2001Q, BFP2001Q

Thank you for purchasing this quality product . Please read instructions thoroughly before unpacking assembly parts
 Caution: Sharp, exposed staple tips can cause injury. Therefore, for your protection, please remove any exposed staples used in packing. Please keep all hardware parts out of the reach of children.

1. We recommend that you should assemble this product with the assistance of another person; this will make assembly easier and will help to prevent personal injury and to insure parts are not damaged during assembly process.
2. Before beginning, please check packing materials carefully for small parts that may have come loose inside the carton during shipping. Do not discard any packing material until all parts have been located. If any parts are missing, please contact your dealer for prompt replacement.
3. To prevent damage to your floor or carpet, please check the bottom of each piece of furniture for stain residues and rough surface sand also check for staples or nails left after removing the packing materials .The manufacturer will not be held responsible if preventive steps are not taken prior to installation.
4. Please do not over tighten screws or bolts. During normal use everyday, screws, bolts , nuts and wooden plugs may loosen up. They should be periodically inspected and re-tightened to prevent damage to the furniture and (or) personal property or cause injury. Always check to be sure all hardware on this list and below mentioned components are attached to the furniture property and kept tightened.
5. Please lay all parts and hardware on a non-abrasive surface such as a carpet and follow the assembly.

Components List :			
NO.	DESCRIPTION		Q' TY
A		HB Right Leg	1pc
B		HB Left Leg	1pc
C		Headboard	1pc
D		Wood stretcher	1pc
E		Footboard	1pc
F		Side rail	2pcs
G		Center Rail	1pc
H		Support Leg	3pcs
I		Roll Slat(13pcs)	1Set

Hardware List				
NO.	DESCRIPTION	SIZE	SKETCH	Q' TY
1	Flat Washers	8*19*2mm		8pcs
2	Spring Washers	8mm		24pcs
3	Allen Bolts	1/4"*15mm		8pcs
4	Allen Bolts	5/16"*40mm		8pcs
5	Allen Key	4*30*80mm		1pc
6	Allen bolt	5/16"*70mm		8pcs
7	Half moon washer	Ø5/16"		8pcs
8	Hexagon	Ø5/16"*12mm		8pcs
9	Wrench	12mm		1pc
10	"U" Bracket	64*59*52*2		2pcs
11	Wood Screw	#8 *20mm		4pcs
12	Wood Screw	#8*32mm		6pcs

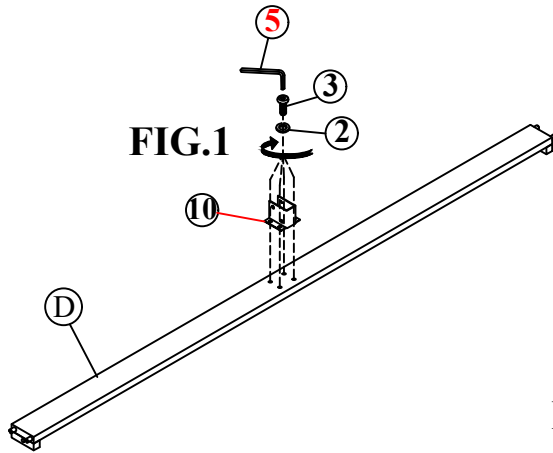
TIP: Store the Allen Key and Wrench in assembly in this product drawer or use masking or painter tape to affix it to the underside of the product. This will make it easier to find if you want to periodically tighten bolts or disassemble the product.

WINNERS ONLY[®]

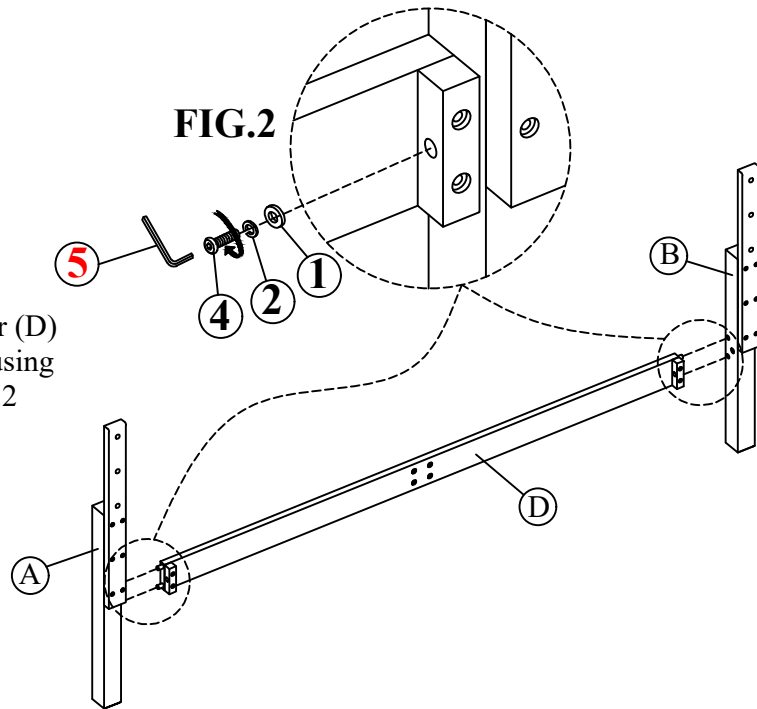
ASSEMBLY INSTRUCTIONS

PROD. NO : BFC2001Q, BFG2001Q, BFP2001Q

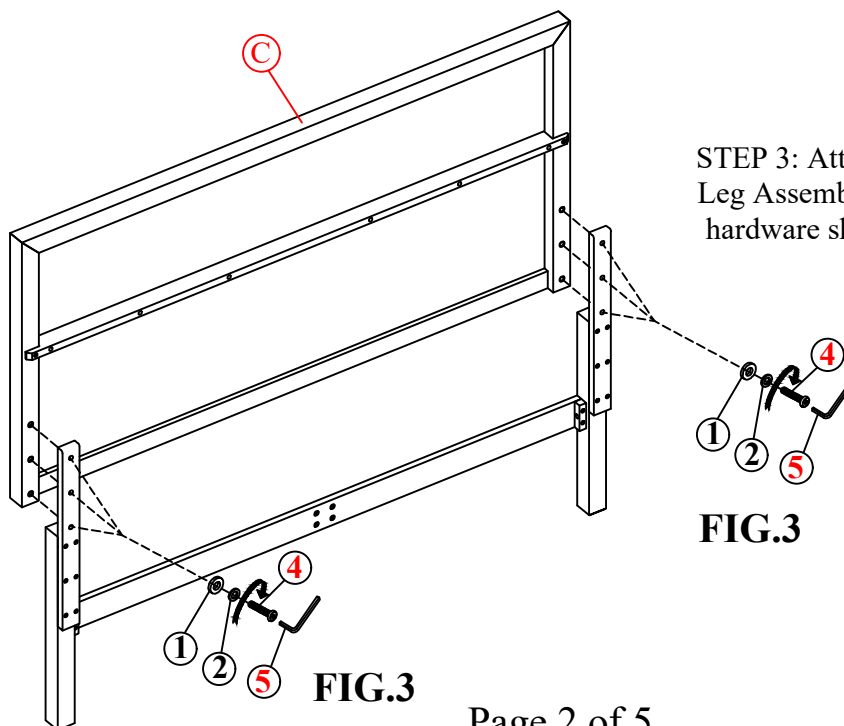
STEP 1: Screw Metal Bracket to Wood Stretcher as shown in FIG.1



STEP 2: Attach the wood stretcher (D) into both Headboard leg (A&B) using provided hardware shown on FIG.2



STEP 3: Attach Headboard (C) to the Leg Assembly (A,B&D) using provided hardware shown on FIG.3

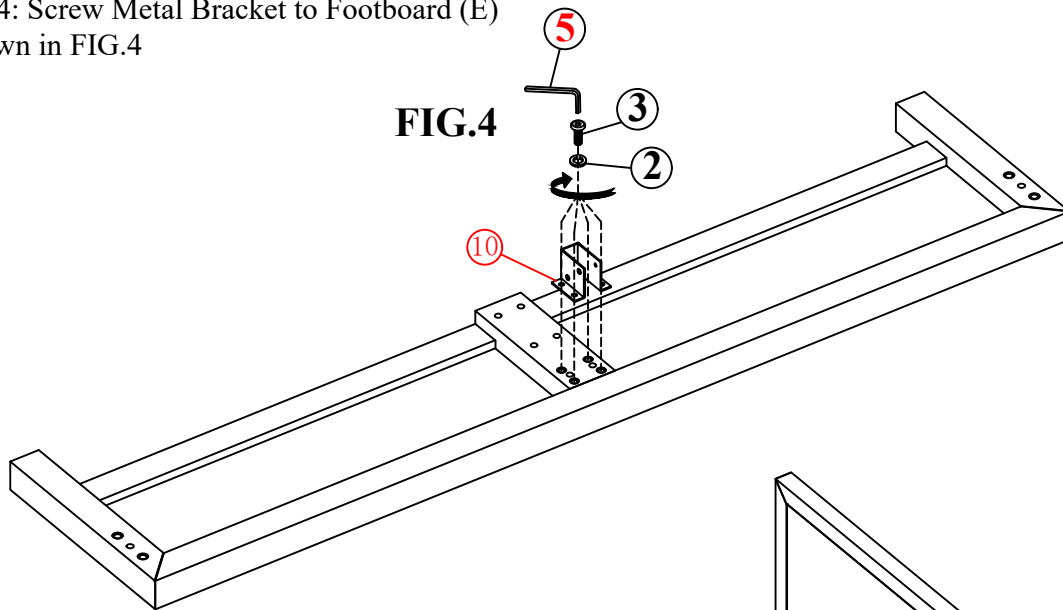


WINNERS ONLY[®]

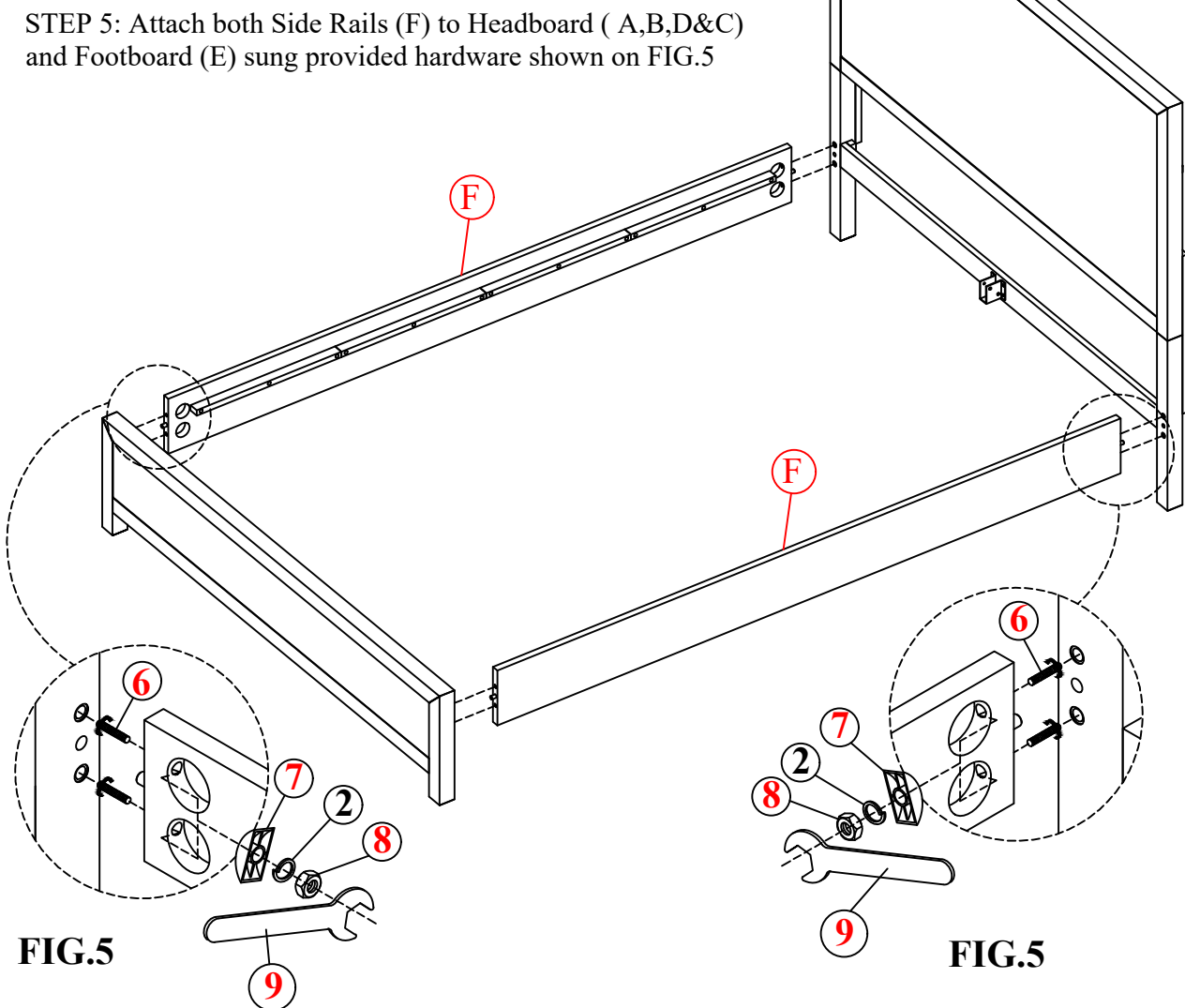
ASSEMBLY INSTRUCTIONS

PROD. NO : BFC2001Q, BFG2001Q, BFP2001Q

STEP 4: Screw Metal Bracket to Footboard (E)
as shown in FIG.4



STEP 5: Attach both Side Rails (F) to Headboard (A,B,D&C)
and Footboard (E) using provided hardware shown on FIG.5



WINNERS ONLY[®]

ASSEMBLY INSTRUCTIONS

PROD. NO : BFC2001Q, BFG2001Q, BFP2001Q

STEP 6: Attach Slats Support Legs (H) to Slats Support Bar (G) as shown in FIG.6

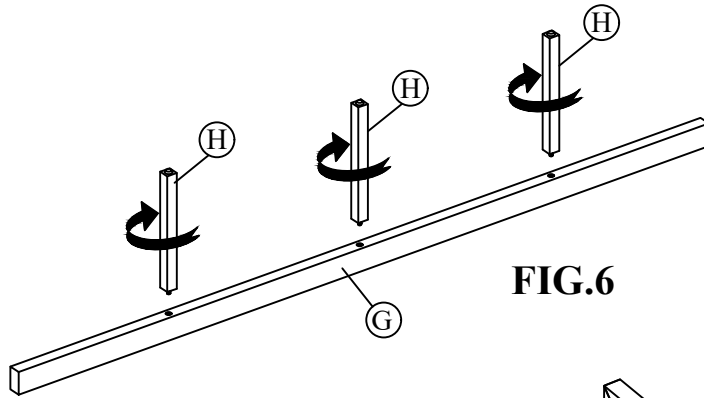


FIG.6

STEP 7: Insert and screw Slats Support Bar (G) to fit the metal bracket using provided hardware as shown in FIG.7

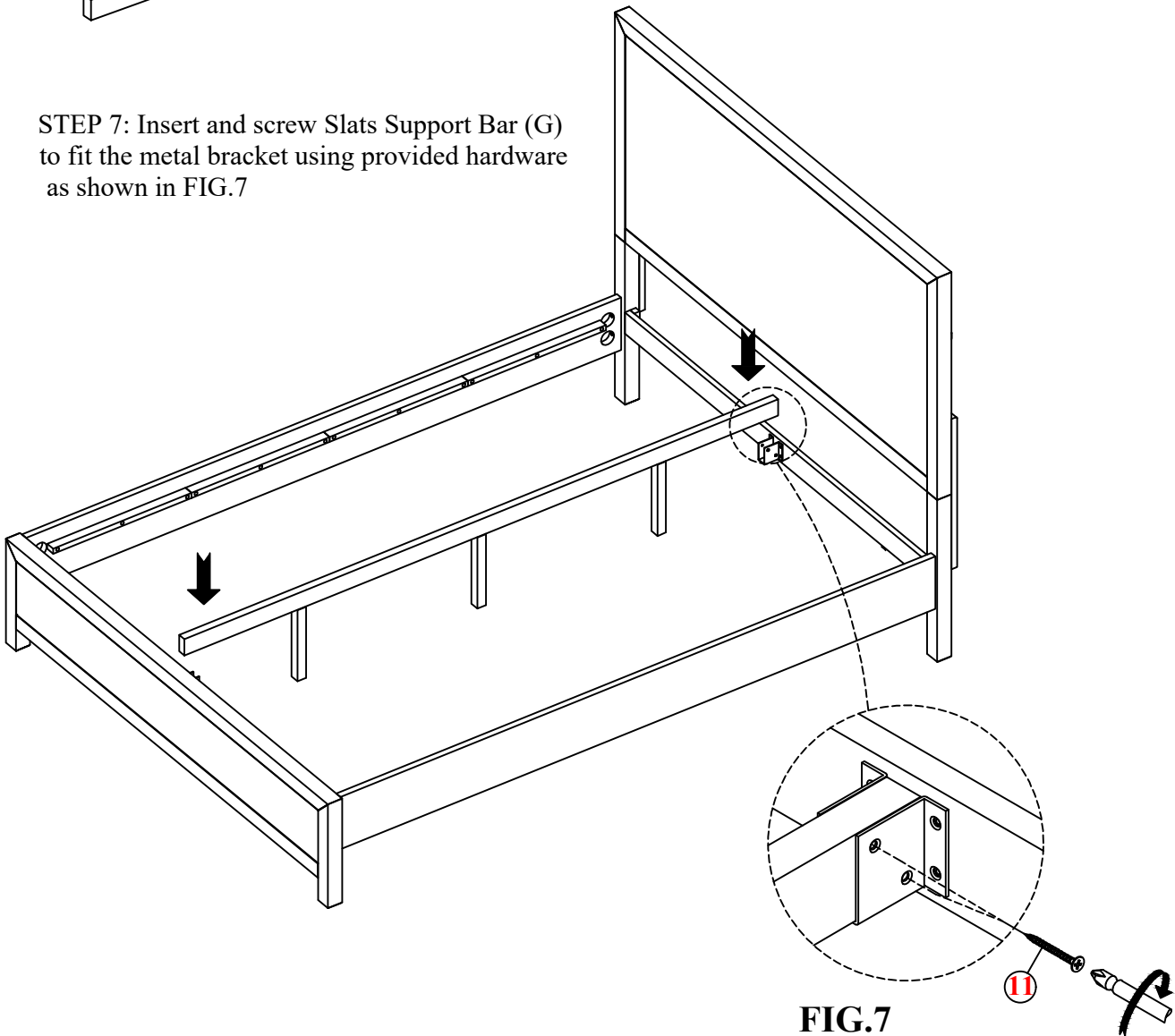
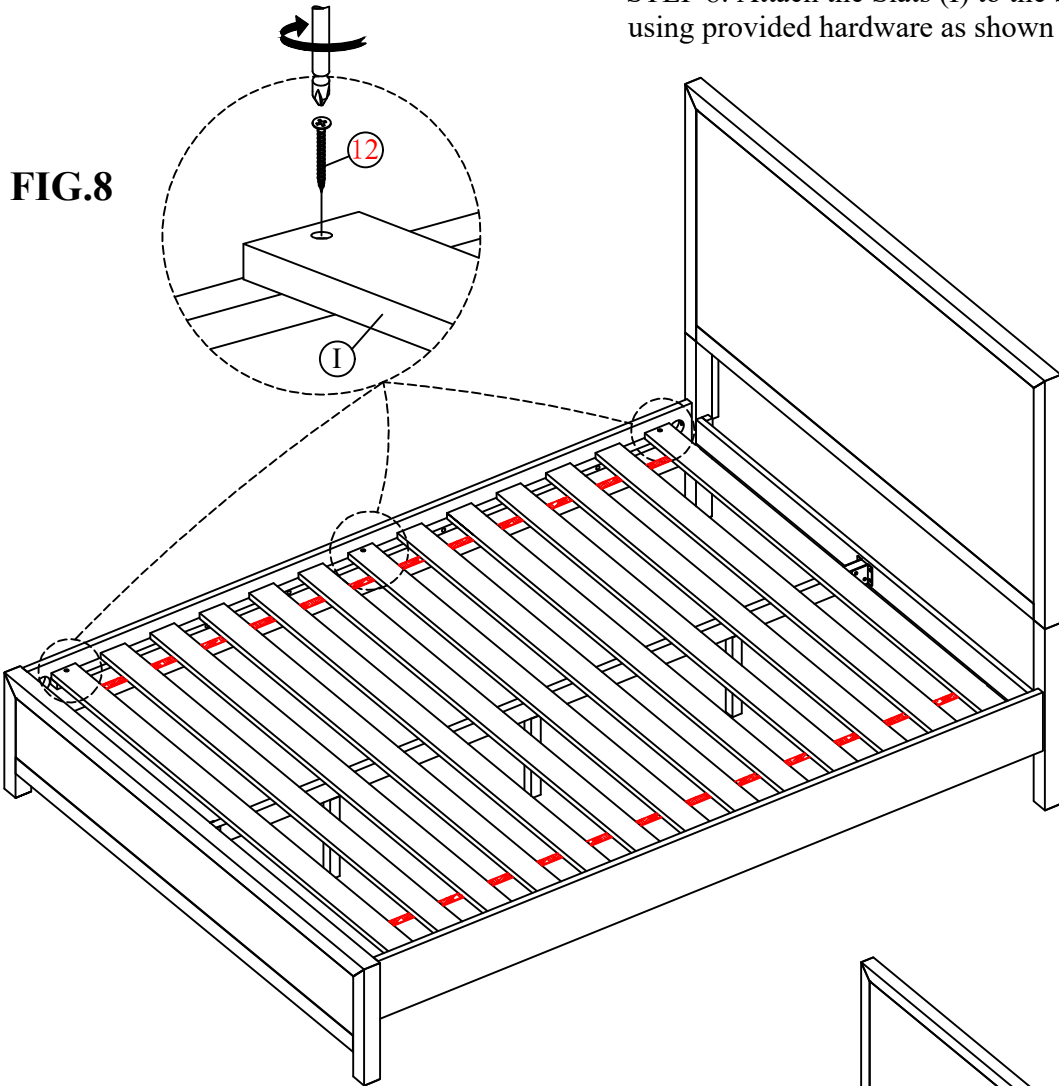


FIG.7

ASSEMBLY INSTRUCTIONS

PROD. NO : BFC2001Q, BFG2001Q, BFP2001Q

STEP 8: Attach the Slats (I) to the Side Rails (F) using provided hardware as shown in FIG.8



Assembly is now completed.

