

ASSEMBLY INSTRUCTION

ITEM : CF 287 LANCASTER, QUEEN BED

HARDWARE LIST

ITEM	DESCRIPTION	QTY
A	JCBB SCREW M 6 x 60	4 pcs
B	SPRING WASHER	28 pcs
C	FLAT WASHER	28 pcs
D	ALLEN KEY M4	1 pc
E	ALLEN KEY M5	1 pc
F	SCREW M4 X 30 mm	28 pcs
G	JCBB SCREW M 8 x 40	14 pcs
H	JCBB SCREW M 6 x 40	10 pcs

PART LIST

PART / DESCRIPTION	QTY
HEADBOARD	1 pc
HEADBOARD LEG	2 pcs
FOOTBOARD	1 pc
SIDE RAIL	2 pcs
DRAWER BOX	1 pc

PART / DESCRIPTION	QTY
MATTRESS SLAT	14 pcs
CENTER SUPPORT	1 pc
CENTER LEG	3 pcs
LEG	2 pcs

CAUTIONS : Hardware are to kept out of reach from children.

STEP 1

Fix "HEADBOARD LEG" to "HEADBOARD" with hardware "G" "B" and "C" by using ALLEN KEY "E".

STEP 2

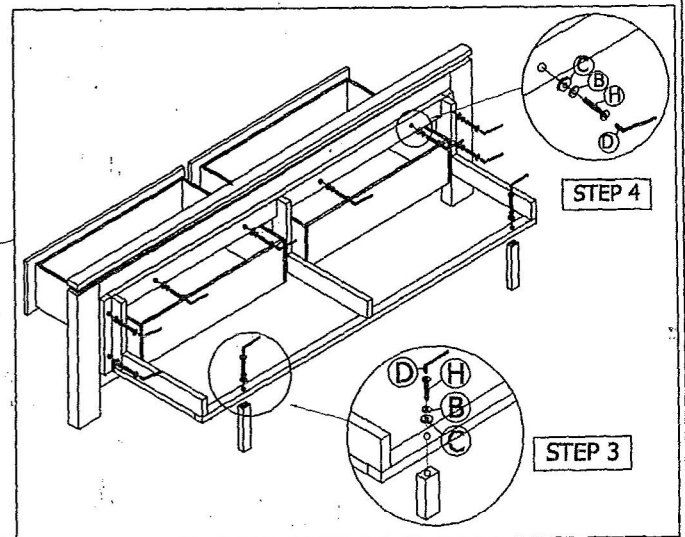
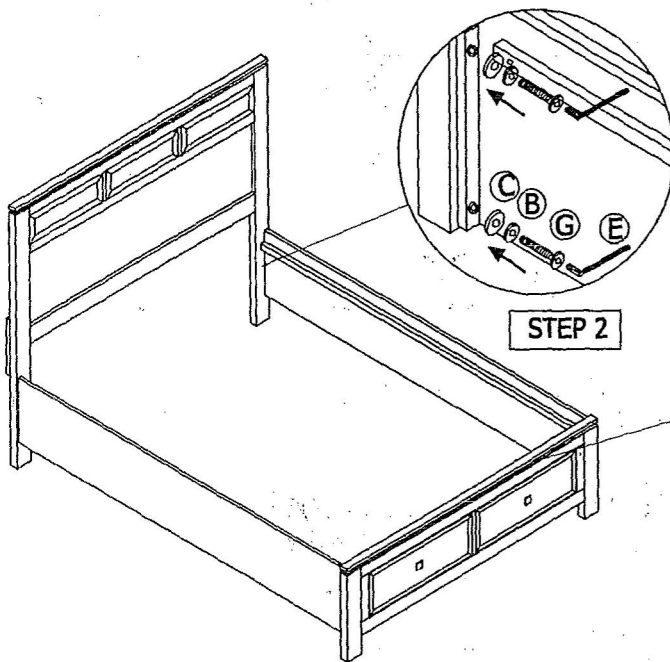
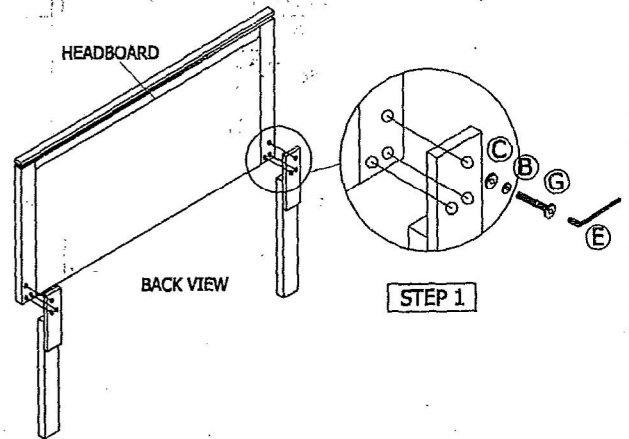
Attach SIDE RAIL to HEADBOARD or FOOTBOARD with hardware "G" "B" "C" by using hardware "E".

STEP 3

Attach LEG to BOX DRAWER with hardware "H" "B" "C" by using hardware "D".

STEP 4

Attach BOX DRAWER to FOOTBOARD, Fix BOX DRAWER to FOOTBOARD with hardware "H" "B" "C" by using hardware "D".

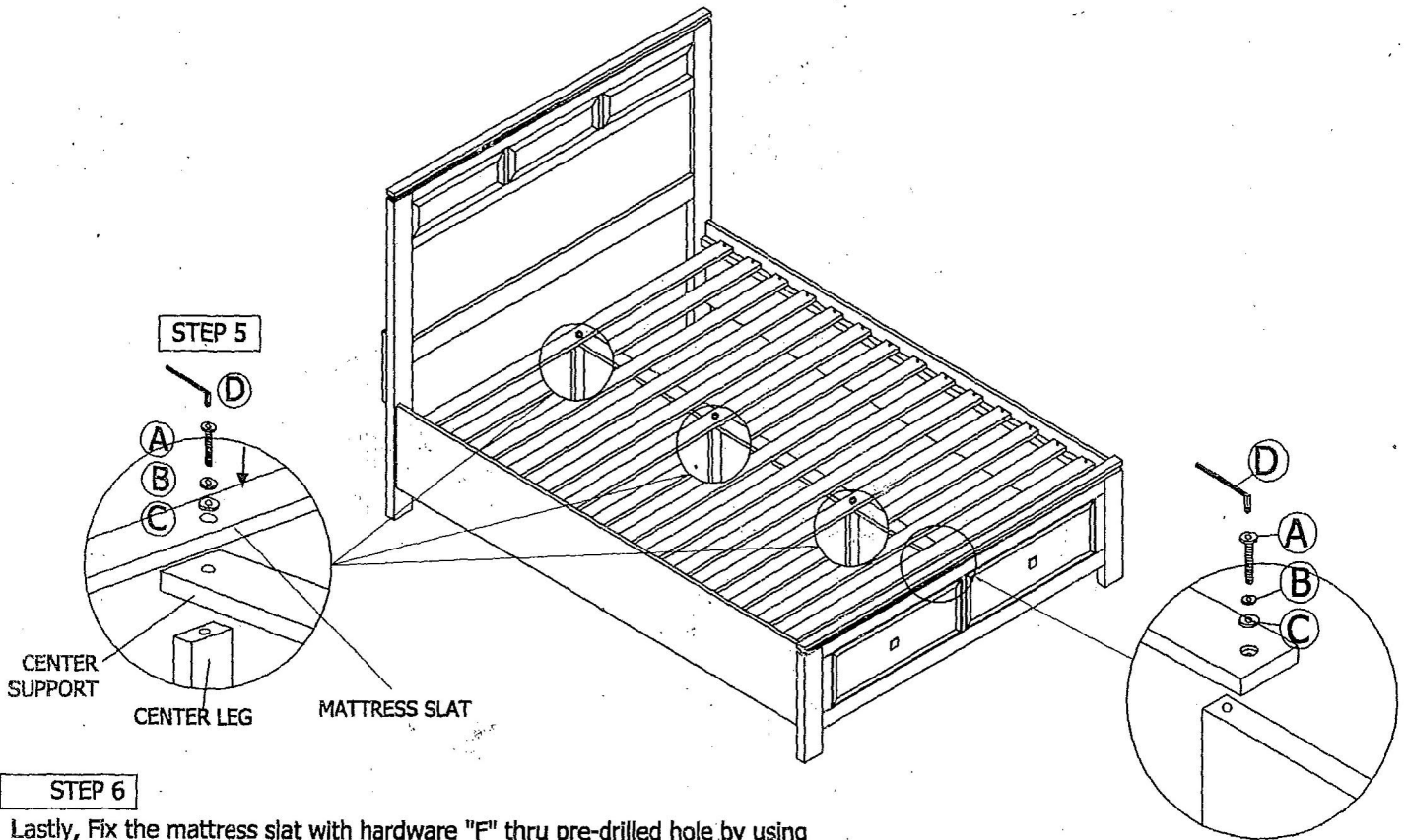


ASSEMBLY INSTRUCTION

ITEM : CF 287 LANCASTER, QUEEN BED

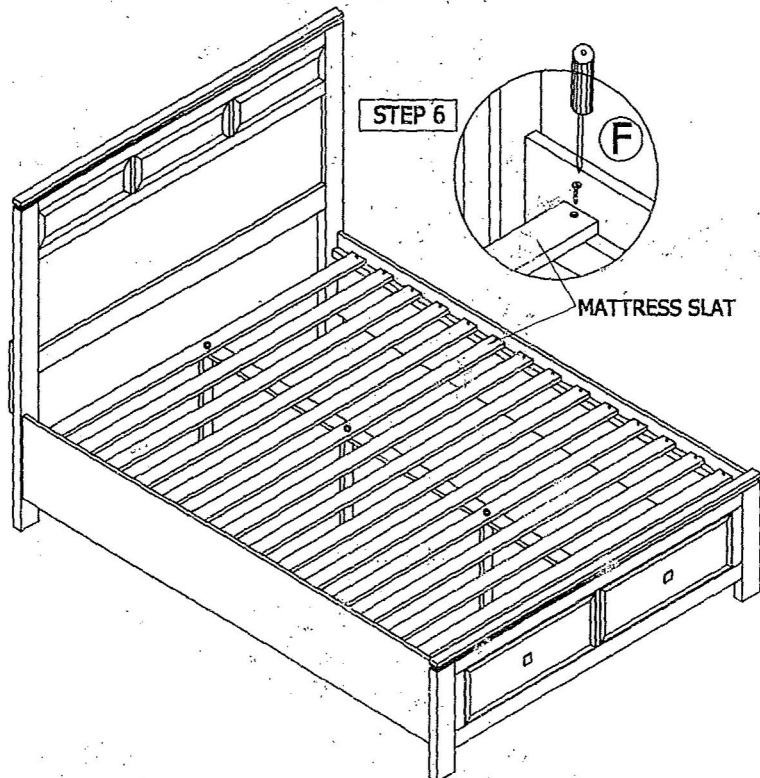
STEP 5

Attach all mattress slat onto the SIDE RAIL , attach hardware "A", "B" and "C" by using ALLEN KEY "D" to assembly the CENTER LEG thru the pre-drilled hole on MATTRESS SLAT and CENTER SUPPORT .



STEP 6

Lastly, Fix the mattress slat with hardware "F" thru pre-drilled hole by using screw driver.



NOTE : ONE BED TOTAL 5 CARTONS (HEADBOARD ,FOOTBOARD , S. RAIL, FB DRAWER & SLATS)

MADE IN MALAYSIA