


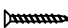



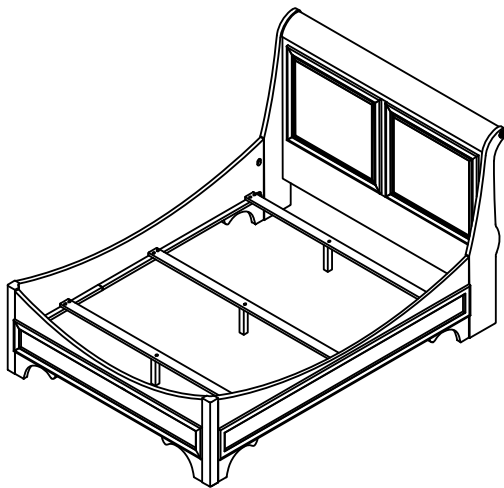
# WINNERS

ONLY INC.

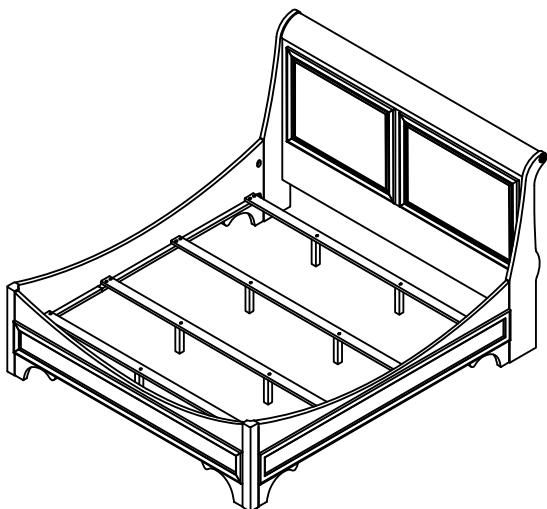
## Assembly Instructions

BR-R1042K(Q)-C

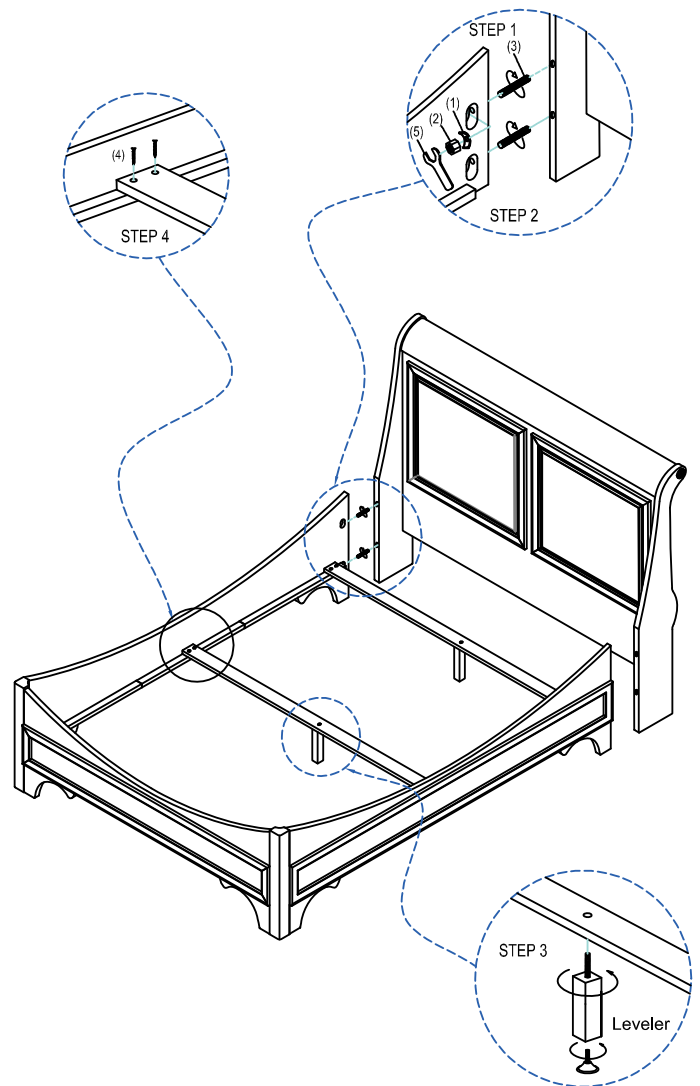
NO.	Hardware List	Queen	King	California King
1	 Half Moon Washer	8	8	8
2	 $\varnothing 5/16$ " Hex Nut	8	8	8
3	 $\varnothing 5/16$ "x78mm Thread Bolt	8	8	8
4	 M4 * 1" Screw	12	16	16
5	 $\varnothing 5/16$ " Wrench	1	1	1



queen bed



king bed & california king bed



Notice: Two or more persons are needed for assembly.