

ASSEMBLY INSTRUCTION

ITEM : SORRENTO, QUEEN BED

HARDWARE LIST

ITEM	DESCRIPTION	QTY
A	JCBB SCREW M 6 x 60	3 pcs
B	SPRING WASHER	9 pcs
C	FLAT WASHER	3 pcs
D	ALLEN KEY M4	1 pc
E	ALLEN KEY M5	1 pc
F	SCREW M4 X 30 mm	28 pcs
G	JCBB SCREW M 6 x 40	6 pcs
H	FLAT WASHER (M6)	6 pcs
I	SCREW M4 X 16 mm	2 pcs
J	L- BRACKET	1 pc

PART LIST

PART / DESCRIPTION	QTY
HEADBOARD	1 pc
HEADBOARD LEG	2 pcs
FOOTBOARD	1 pc
SIDE RAIL	2 pcs

PART / DESCRIPTION	QTY
MATTRESS SLAT	14 pcs
CENTER SUPPORT	1 pc
CENTER LEG	3 pcs

CAUTIONS : Hardware are to kept out of reach from children.

STEP 1

Fix "HEADBOARD LEG" to "HEADBOARD" with hardware "G" "B" and "H" by using ALLEN KEY "D".

STEP 2

Remove the "screw" on bracket of HEADBOARD & FOOTBOARD , assembly the SIDE RAIL to HEADBOARD or FOOTBOARD with fix back the existing "screw" to the existing bracket insertion hole.

STEP 3

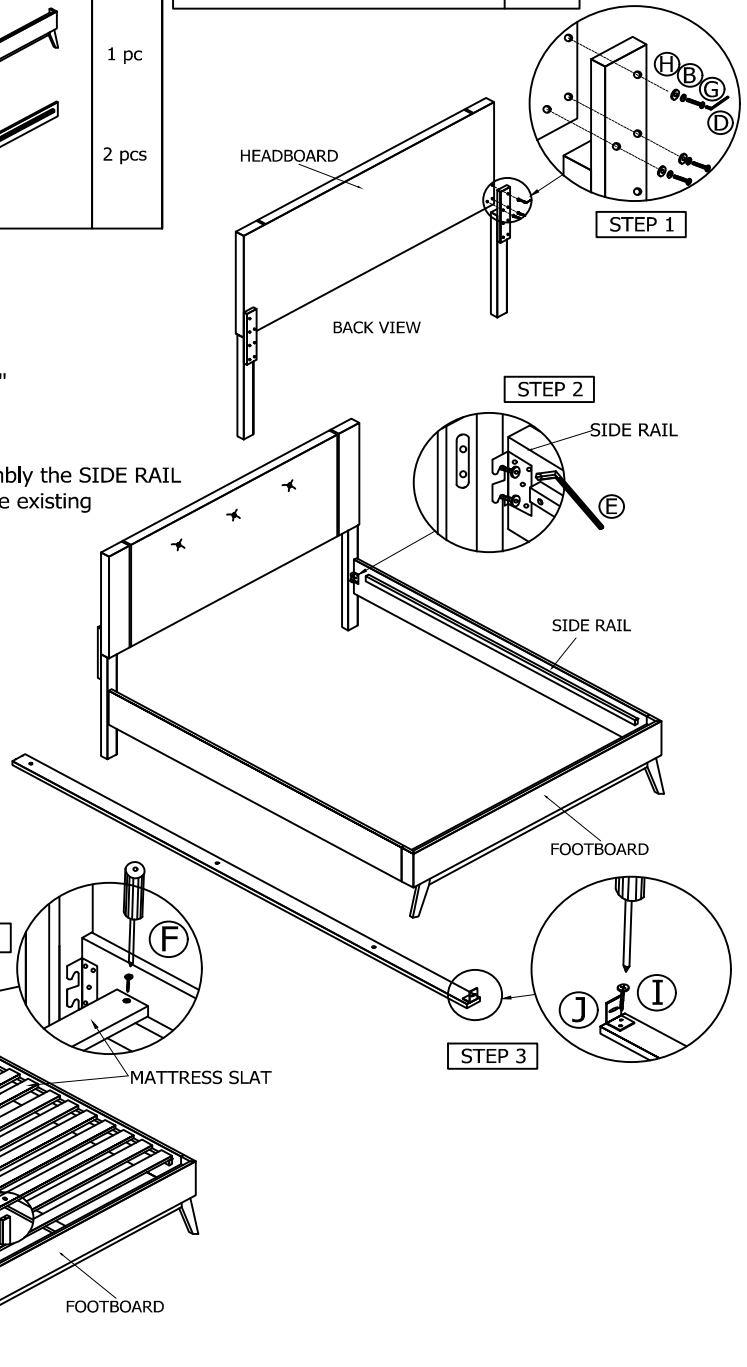
Attach L- BRACKET onto the CENTER SUPPORT , fix the L-BRACKET with hardware "I" by using screw -driver.

STEP 4

Attach all mattress slat onto the SIDE RAIL , attach hardware "A","B" and "C" by using ALLEN KEY "D" to assembly the CENTER LEG thru the pre-drilled hole on MATTRESS SLAT and CENTER SUPPORT .

STEP 5

Lastly, fix the mattress slat with hardware "F" thru pre-drilled hole by using screw-driver. (NOT INCLUDED)



NOTE : ONE BED TOTAL 4 CARTONS (HEADBOARD ,FOOTBOARD , SIDE RAIL & WOODEN BASE)

MADE IN MALAYSIA