

# ASSEMBLY INSTRUCTION

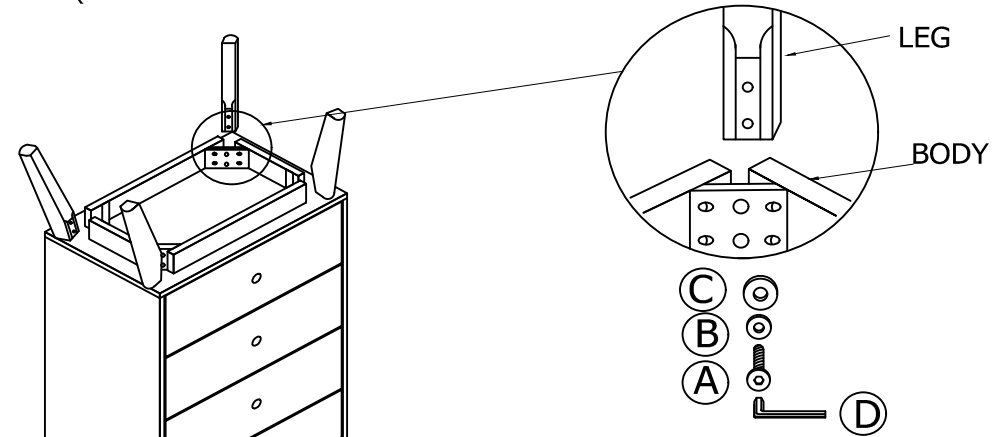
## ITEM : SORRENTO, CHEST OF DRAWER

### HARDWARE LIST

ITEM	DESCRIPTION	QTY
A	JCBB SCREW M 6 x 60	8 pcs
B	SPRING WASHER	8 pcs
C	FLAT WASHER	8 pcs
D	ALLEN KEY M 4	1 pc
E	ANTI- TIPPING	1 pc


### STEP 1

Attach " LEG " to the " BODY " as arrow shown , assembly with hardware " A " with " B " & " C " by using " D " . ( DO NOT FULLY TIGHTEN THE SCREW UNTIL ALL ARE IN PLACE )



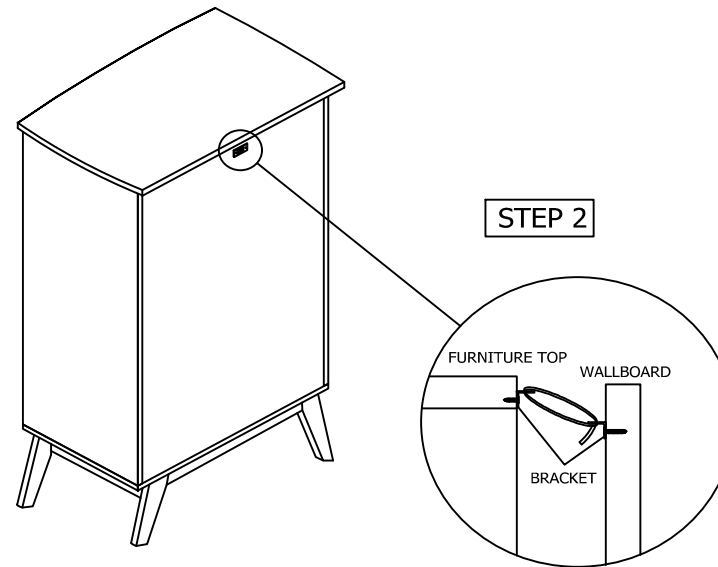
**CAUTIONS :**  
Hardware are to kept out of reach from children.

### PART LIST

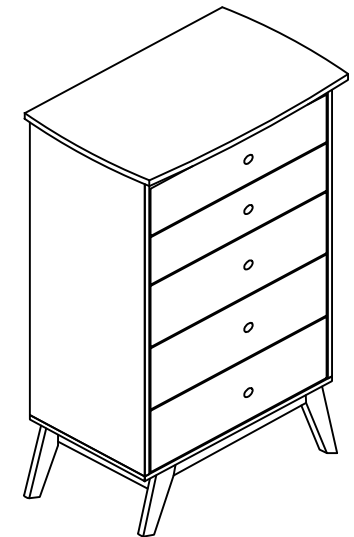
PART	DESCRIPTION	QTY
LEG		4 pcs

### STEP 2

Attach hardware "E" to the wallboard and furniture frame under the top with screw provided.



### STEP 2



Assembly completed.

### NOTE

- a ) BEFORE ASSEMBLY, PLACE ALL TABLE PARTS ON THE CLEAN AND SOFT SURFACE TO PREVENT SCRATCHES.
- b ) THIS PRODUCT IS HEAVY , FOR SAFETY PURPOSE , KINDLY ADVISE 2 OR MORE PEOPLE TO ASSEMBLY.