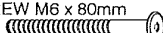
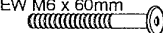
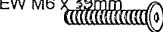
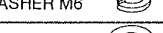
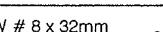

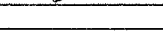


# ASSEMBLY INSTRUCTIONS

MODEL : C1-GB102S -- P

**IMPORTANT NOTE :**

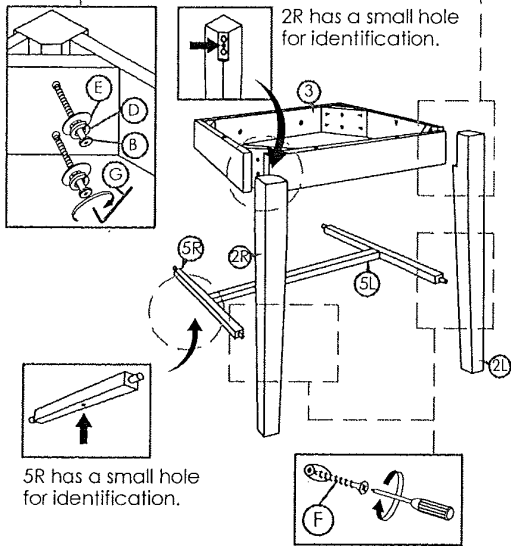
- \* PLACE ALL WOODEN PARTS ON A CLEAN AND SMOOTH SUCH AS A RUG OR CARPET TO AVOID THE PARTS FROM BEING SCRATCHED.
- \* BEFORE YOU BEING, KINDLY FOLLOW THE ASSEMBLY INSTRUCTIONS STEP BY STEP.
- \* DO NOT TIGHTEN ALL SCREWS UNTIL THE CHAIR IS FULLY SET-UP.

HARDWARE LIST			PART LIST		
A	JCBC SCREW M6 x 80mm 	4PCS	1	CHAIR BACK	1PC
B	JCBC SCREW M6 x 60mm 	4PCS	2	FRONT LEG L&R	2PCS
C	JCBC SCREW M6 x 35mm 	2PCS	3	BOX FRAME	1PC
D	SPRING WASHER M6 	10PCS	4	CHAIR SEAT	1PC
E	FLAT WASHER 5/16" 	10PCS	5	'H' RAIL	2PCS
F	FH SCREW # 8 x 32mm 	8PCS			
G	ALLEN KEY M4 	1PC			

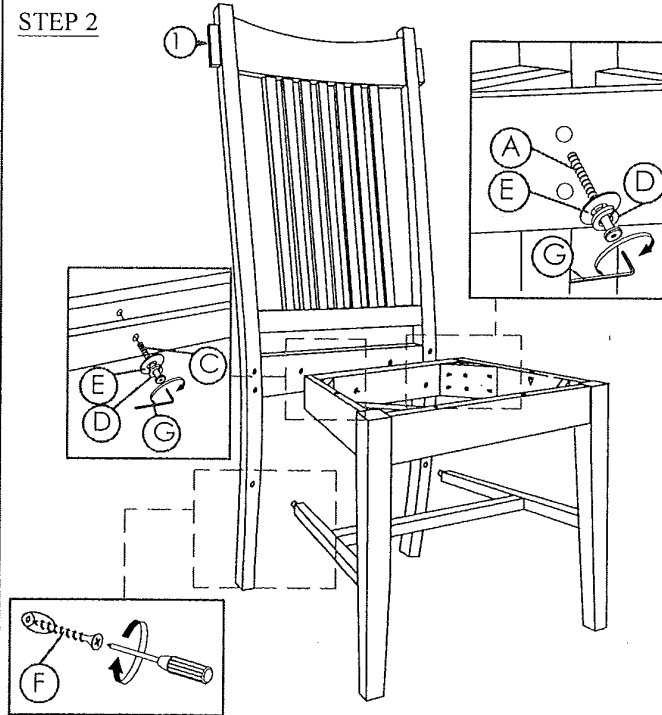
**CAUTIONS :**

- (1) DO NOT FULLY-TIGHTEN THE NUT OR NUT BOLTS INITIALLY UNTIL ALL NUTS OR BOLT IS READY ASSEMBLED.  
  
(TO AVOID CAUSING DAMAGES TO THE THREAD, DO NOT OVER-TIGHTEN THE NUTS OR BOLTS. )
- (2) KEEP ALL HARDWARE PART OUT OF REACH OF CHILDREN.

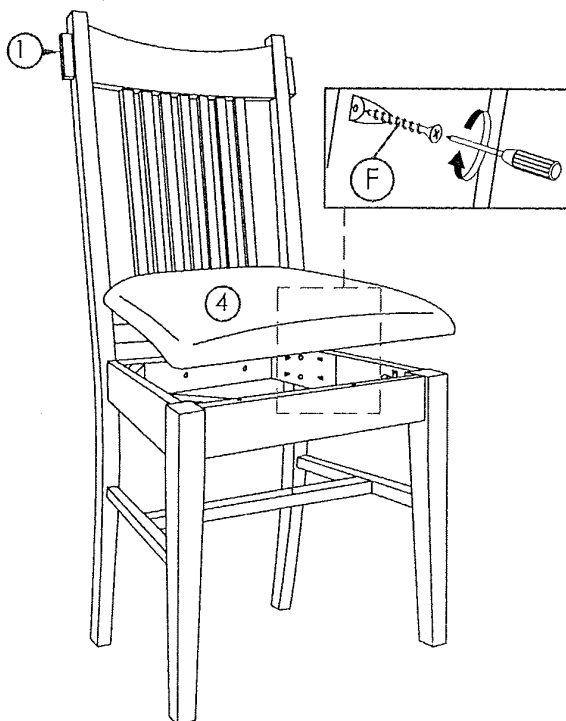
**STEP 1**



**STEP 2**



**STEP 3**



**STEP 4**

