

WINNERS

ONLY INC.

ASSEMBLY INSTRUCTIONS

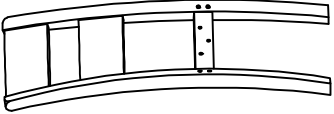
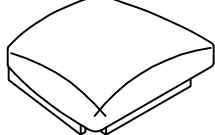

ITEM NO : DMG450S

C1-MO450S- -O

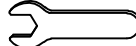






Thank you for purchasing this quality product . Be sure to check all packaging material carefully for small parts that may have come loose inside the carton during shipment .

"Hardware is attached underneath the seat bottom"

Components List :

NO	DESCRIPTION	SKETCH	QTY
A	Back Frame		1pc
B	Seat Frame		1pc
C	Front Leg		2pcs

Hardware List :

NO	DESCRIPTION	SIZE	SKETCH	QTY
1	Wrench	12x75 mm		1pc
2	Allen Key	58x23x4 mm		1pc
3	Short Bolt	1/4" x38 mm		3pcs
4	Long Bolt	1/4" x85 mm		4pcs
5	Hex-Nut	5/16"		4pcs
6	Spring Washer	5/16" x φ13		11pcs
7	Flat Washer	5/16" x φ19		11pcs

Reminders

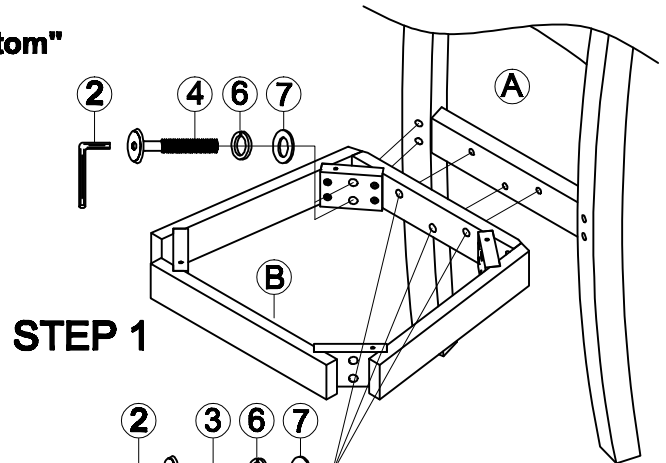
1. Use only the hardware supplied.
2. Once the chair is finished, level and tighten all the bolts.
3. Do not over-tighten bolts.
4. This item may require periodic tightening.

Step1: Attach the seat frame (B) to Back frame (A) by using flat washer (7), spring washer (6) and Short Bolt, Long Bolt (3&4).

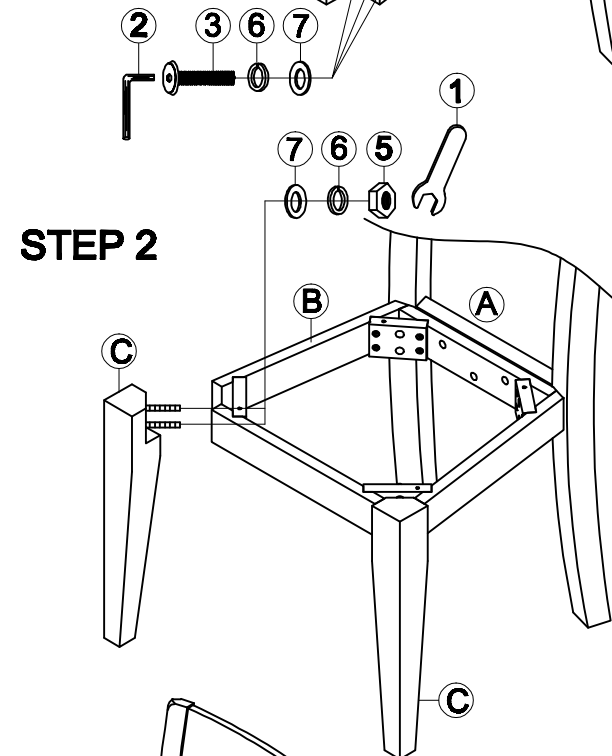
Step2: Attach the 2 pcs front legs (C) to seat frame (B) by using flat washer (7) & spring washer (6) and hex-nut (5) .

Assembly is now complete

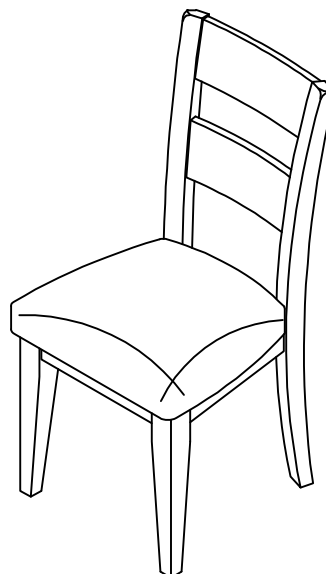
Thank you for purchasing this product.



STEP 1



STEP 2



MADE IN VIETNAM