

# WINNERS ONLY®

## ASSEMBLY INSTRUCTIONS

PROD. NO : C1-TO455B - -P

Thank you for purchasing this quality product. Please read the instructions thoroughly before unpacking the assembly parts.

Caution: sharp exposed staple tips can cause injury, therefore for your protection, please remove any exposed staples used in packing.

Please keep all hardware parts out of the reach of children.

1. We recommend that you should assemble this product with the assistance of another person; this will make the assembly easier, and will help to prevent personal injury and to insure parts are not damaged during the assembly process.

2. Before beginning, please check the packing materials carefully for small parts which may have come loose inside the carton during shipping. Please do not discard any packing material until all parts have been located. If any parts are missing, please contact your dealer for prompt replacement.

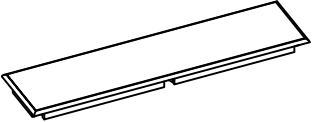


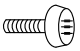
3. To prevent damage to your floor or carpet, please check the bottom of each piece of furniture for stain residues and rough surfaces and also check for staples or nails left after removing the packing materials. The manufacturer will not be held responsible if preventive steps are not taken prior to installation.

4. Please do not over tighten screws or bolts. During normal use everyday, screws, bolts, nuts and wooden plugs may loosen up. They should be periodically inspected and re-tightened to prevent damage to the furniture and (or) personal property or cause injury. Always check to be sure all hardware on this list and the below mentioned components are attached to the furniture properly and kept tightened.

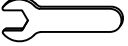



5. Please lay all parts and hardware on a non abrasive surface such as a carpet, and follow the assembly

This product will take 15-20 minutes to assemble

### Components List :

NO	DESCRIPTION	SKETCH	QTY
A	Bench Seat		1pc
B	Bench Center Leg		2pcs
C	Bench Leg		4pcs
D	Adjustable Levelers		2pcs

### Hardware List :

NO	DESCRIPTION	SIZE	SKETCH	QTY
1	Wrench	12x75 mm		1pc
2	Hex-Nut	5/16"		12pcs
3	Spring Washer	5/16" x Ø12		12pcs
4	Flat Washer	5/16" x Ø19		12pcs

Screw driver is require for assembly (not included)

TIP: store the Allen key and or Wrench used in assembly in this product's drawer or use masking or painter's tape to affix it to the underside of the product. This will make it easier to find if you want to periodically tighten bolts or disassemble the product.

#### Reminders

1. Use only the hardware supplied.
2. Once the chair is finished, level and tighten all the bolts.
3. Do not over-tighten bolts.
4. This item may require periodic tightening.

#### NOTE :

1. Hardware pack is located underneath the Bench Seat (A).
2. Two or more people are needed for assembly. Please keep all hardware parts out of the reach of children.

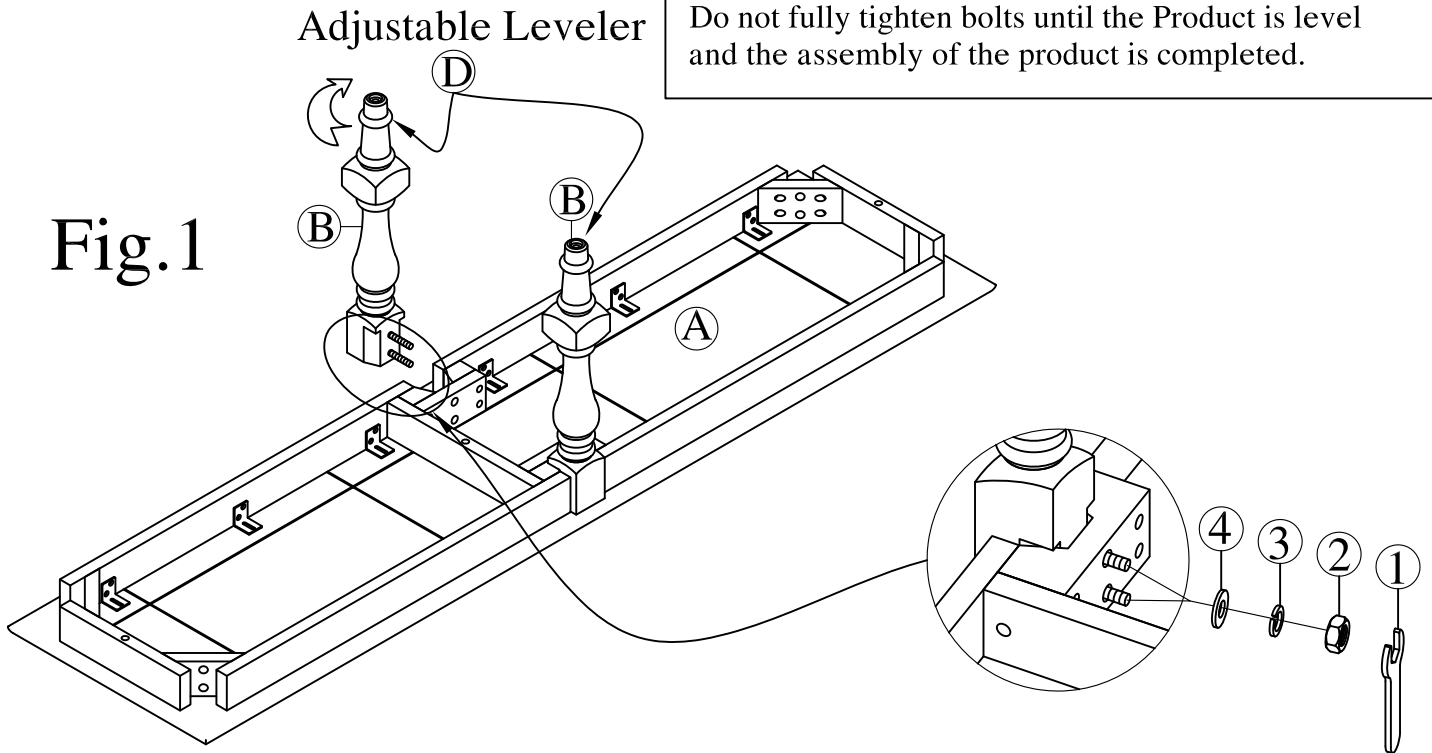
# WINNERS ONLY®

## ASSEMBLY INSTRUCTIONS

PROD. NO : C1-TO455B - -P

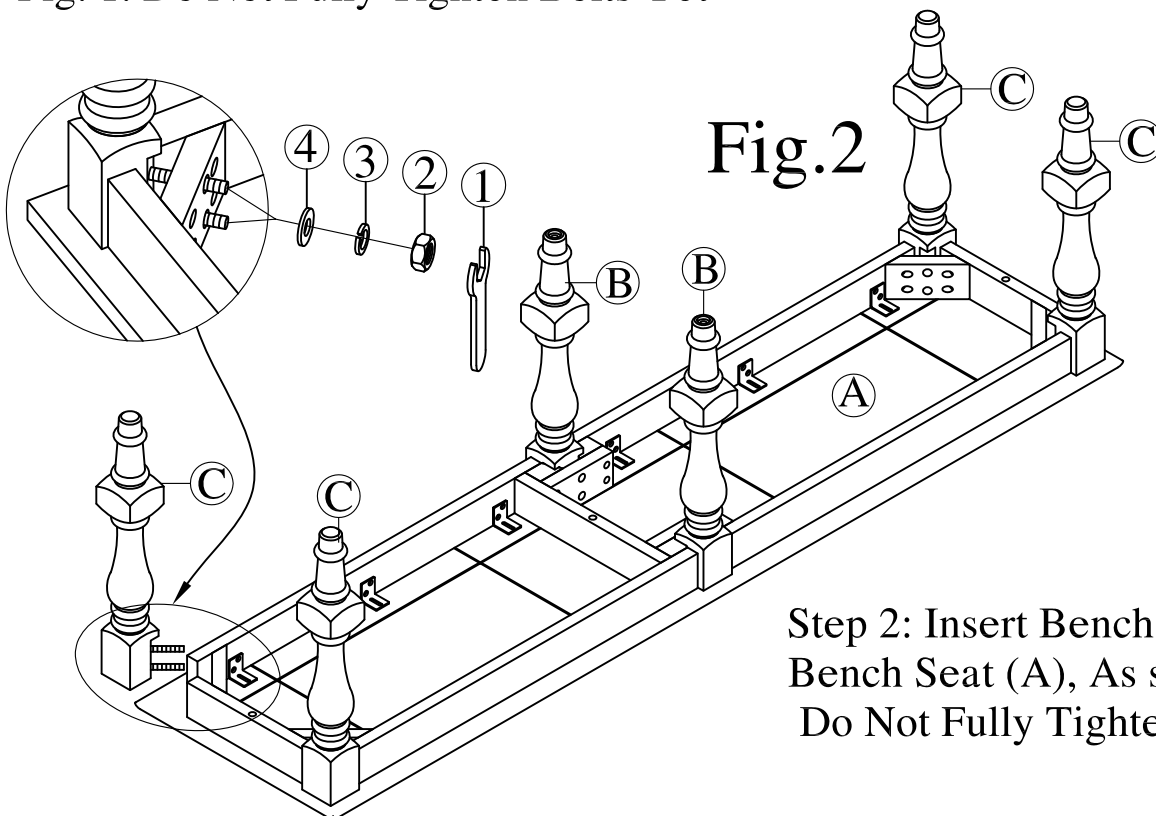
Grab hardware bag from underneath the Bench seat.  
Do not fully tighten bolts until the Product is level  
and the assembly of the product is completed.

Fig.1



Step 1: Lay the Bench Seat (A) upside down on a flat soft surface. Insert Bench Center Leg (B) into Bench Seat (A), using the provided hardware as shown on Fig. 1. Do Not Fully Tighten Bolts Yet

Fig.2



Step 2: Insert Bench Leg (C) into Bench Seat (A), As shown in Fig. 2. Do Not Fully Tighten Bolts Yet

# WINNERS ONLY®

## ASSEMBLY INSTRUCTIONS

PROD. NO : C1-TO455B - -P

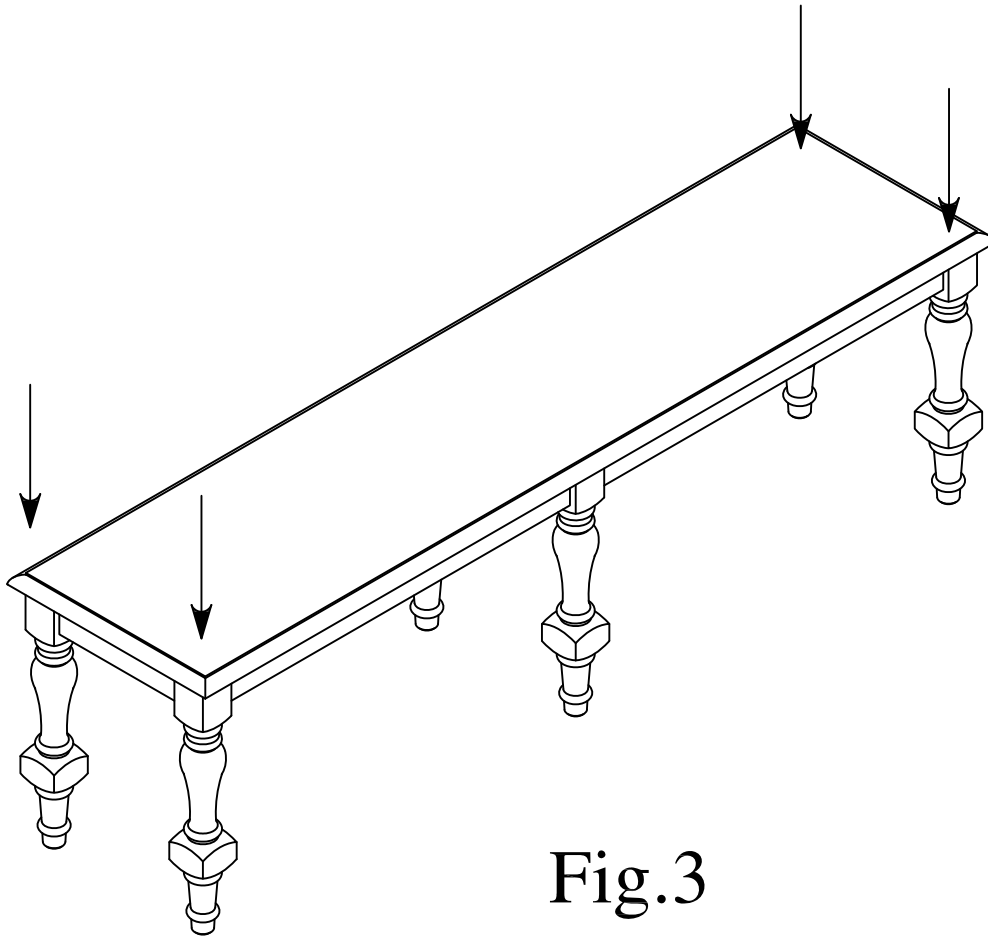


Fig.3

Step 3: Place the loosely assembled Bench on a hard flat surface and apply gentle downward pressure on the seat. As shown on Fig.3. Once the Bench is balanced and leveled, fully tighten all bolts.

Assembly is now Complete