

# WINNERS

ONLY INC.

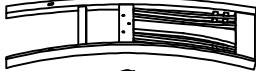

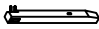




## ASSEMBLY INSTRUCTIONS

ITEM NO : C1-ZH45024- -O









Thank you for purchasing this quality product . Be sure to check all packaging material carefully for small parts that may have come loose inside the carton during shipment .

**"Hardware is attached underneath the seat bottom"**

### Components List :

A. Back Frame		1pc
B. Seat Frame		1pc
C. Front Leg (Left)		1pc
D. Front Leg (Right)		1pc
E. Front rail		1pc
F. Side rail (Left)		1pc
G. Side rail (Right)		1pc

### Hardware List :

1. Wrench 12x75mm		1pc
2. Allen Key 4x58mm		1pc
3. Bolt 1/4"x45mm		3pcs
4. Bolt 1/4"x85mm		4pcs
5. Hex-Nut 5/16"		4pcs
6. Spring Washer $\phi 13 \times 5/16$ "		11pcs
7. Flat Washer $\phi 19 \times 5/16$ "		11pcs
8. Wood Screw $\phi 8 \times 45$ mm		6pcs

#### Reminders

1. Use only the hardware supplied.
2. Once the chair is finished, level and tighten all the bolts.
3. Do not over-tighten bolts.
4. This item may require periodic tightening.

**NOTE :** Hardware pack is located underneath the seat frame (B)

**Step1:** Attach the seat frame (B) to Back frame (A) by using flat washer (7), spring washer (6) and bolt (3&4).

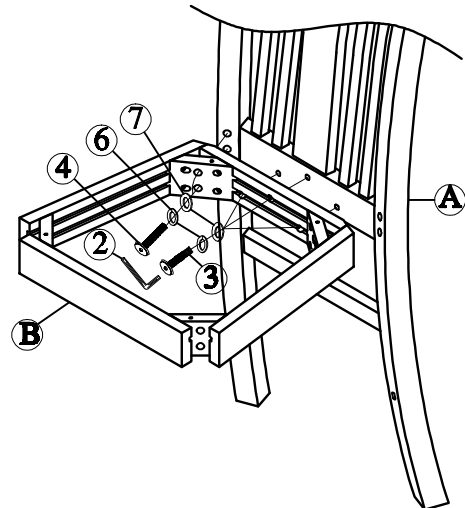
**Step2:** Attach Left and Right Side Rails (F&G) to Back frame(A) using Wood Screws (8) through pre-drilled holes of Side Rails (F&G) and

Back frame (A). Assemble Front Rail (E) to Front Legs (C&D) using Wood Screw (8). Attach the assembled Front Leg (C&D) and Front Rail (E) to Seat Frame (B) by using flat washers(7), spring washers (6) and hex-nut(5). Attach Front Legs (C&D) to the Left and Right Side Rails (F&G) using Wood Screws (8) through pre-drilled holes on the Left and Right Side Rails (F&G).

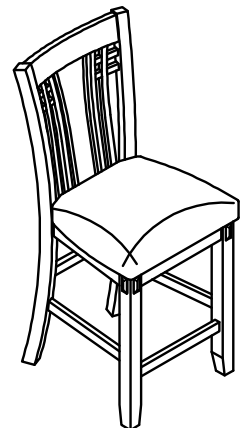
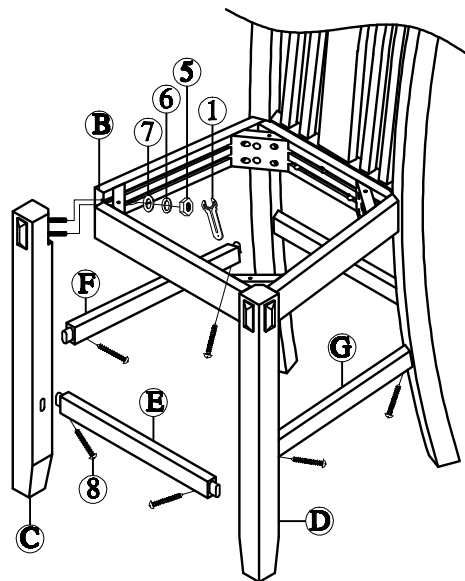
**Assembly is now complete**

**Thank you for choosing this product.**

STEP 1



STEP 2



MADE IN VIETNAM