
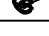
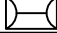
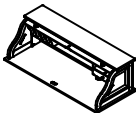

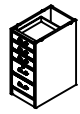

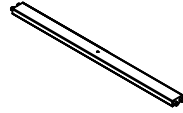
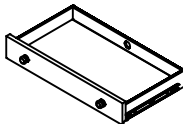


Hardware List (included in GE154RB)

	6 PCS Machine Bolts (1-1/4")		1 PC Metal Grommet
	2 PCS Keys For File Drawer Lock		3 PCS Long (1-1/4") Flat Head Wood Screws
	4 PCS Wood Dowels (φ8x25mm)		2 PCS Tambour Keys
	1 PC Iron Pin		8 PCS Short (3/4") Flat Head Wood Screws

	1 PC Safety Brackets
---	----------------------

GE154RT Parts List		
E	DESK TOP	1 PC
		

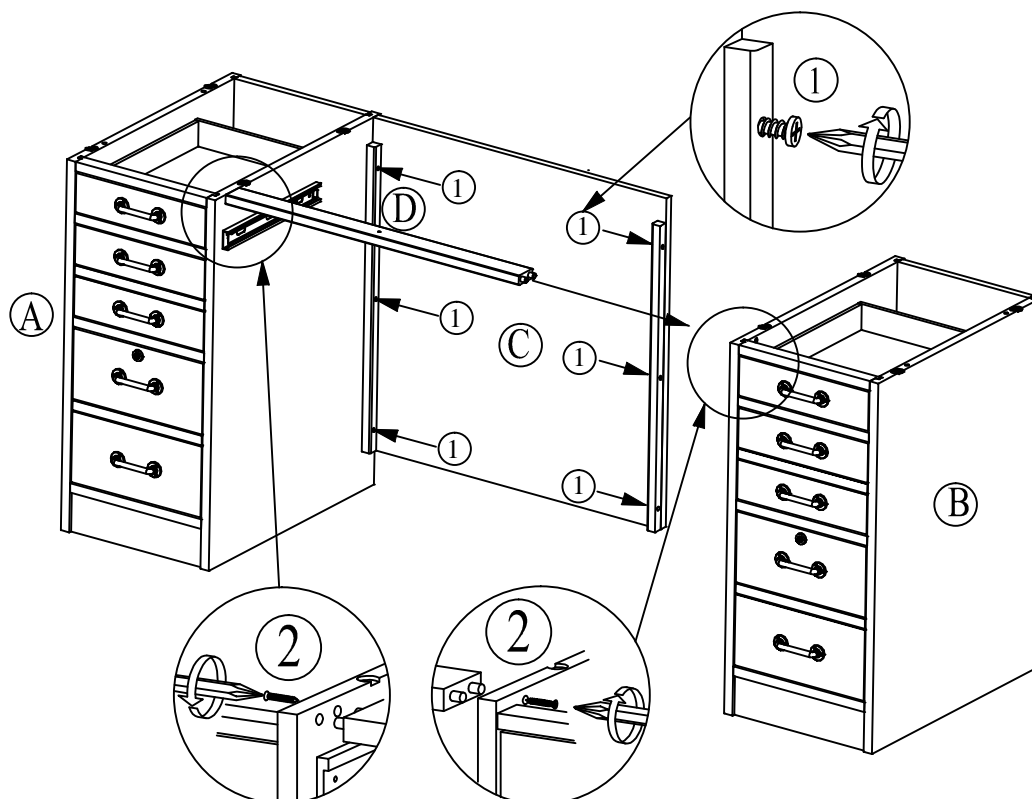
GE154RB Parts List								
A	PEDESTAL	1 PC	B	PEDESTAL	1 PC	C	BACKPANEL	1 PC
								
D	CROSS BAR	1 PC	F	DROP FRONT CENTER DRAWER	1 PC			
								

Notes: Need two people to assemble.

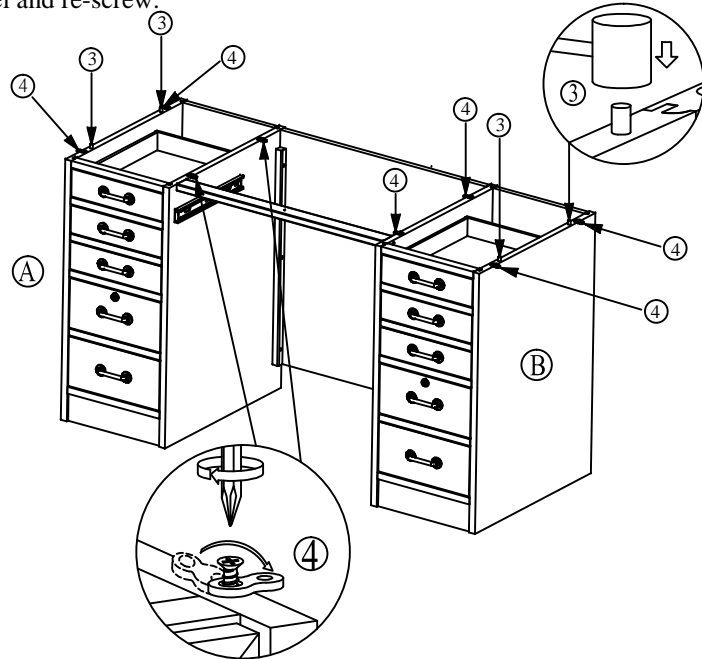
Instructions:

Step 1. Move the pedestals (A)(B) to the desired location , insert and tighten **machine bolts(1-1/4")**(6 PCS) to connect backpanel (C) to the two pedestals (A)(B) .

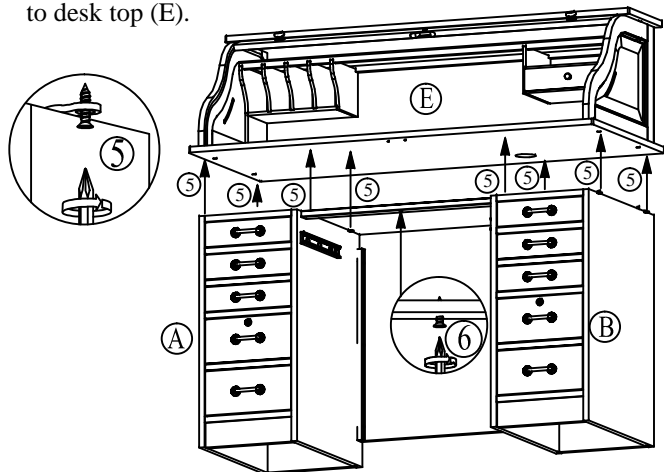
Step 2. Insert center Cross Bar (D) to the two pedestals (A)(B) , tighten **long(1-1/4") flat head wood screws (2 PCS)**.



Step 3. Insert two **wood dowels**(4 PCS) in each pedestals (A)(B) .
 Step 4. Loosen the screw to adjust **metal figure 8** (8 PCS) of its direction of the panel and re-screw.



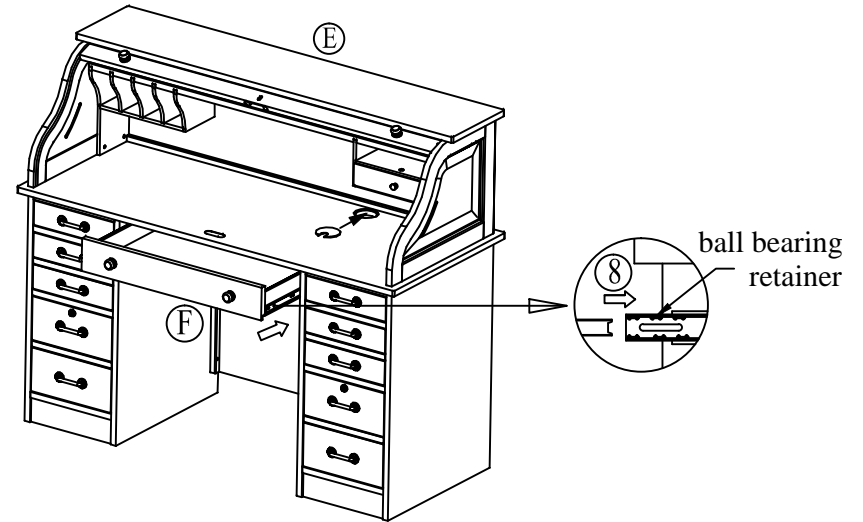
Step 5. Insert **short (3/4") flat head wood screws** (8 PCS) through metal figure 8 to connect desk top (E) and pedestals (A)(B) .
 Step 6. Use **long(1-1/4")flat head wood screws** (1 PC) to connect Cross Bar (D) to desk top (E).



Step 7. Insert the one Grommet on desk top (E) .
 Step 8. Install the Drop Front center Drawer (F) to place .

Important:

(Be sure to move the ball bearing retainer all the way to the front of the glide and carefully slide the rails into the glides and ball bearing retainer.)



Assembly is now complete.