

STUDIO 47" ENTERTAINMENT BASE

ASSEMBLY INSTRUCTION

Pg.1/2

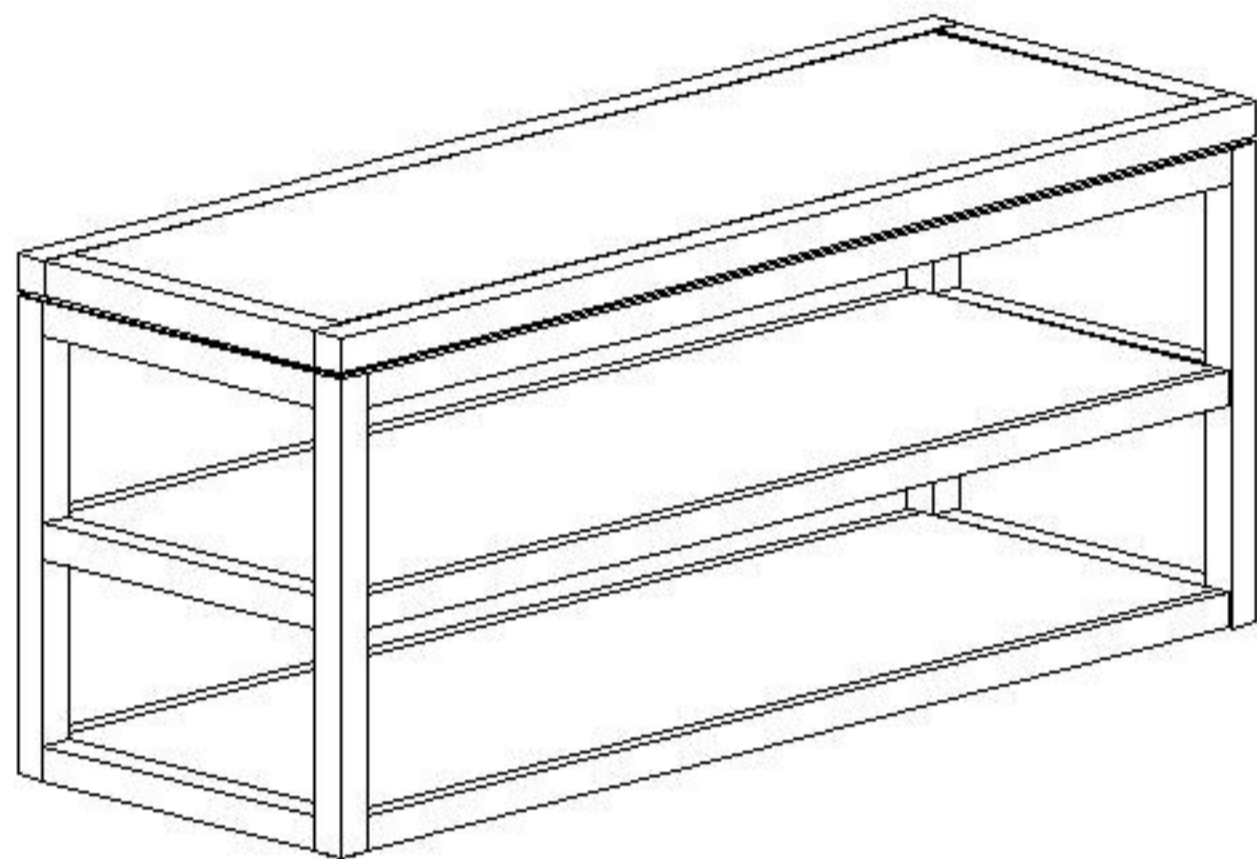
Thank you for purchasing this quality product. Be sure to check all packing material carefully for small parts that may come loose inside the carton box during shipment.

IMPORTANT

Please go through this assembly instruction before starting assembly. Kindly follow the sequence listed to assure fast, easy and correct assembly.

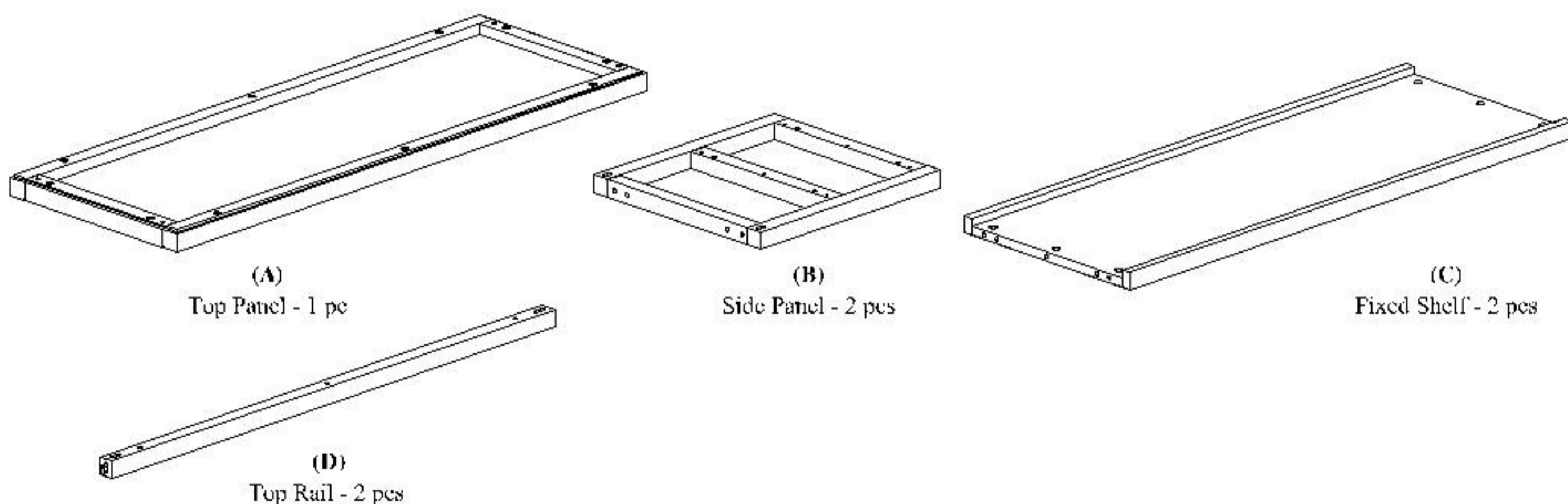
CARE & MAINTENANCE

Wipe clean with soft cloth and furniture polish.


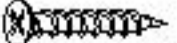






MADE IN MALAYSIA

PARTS LIST



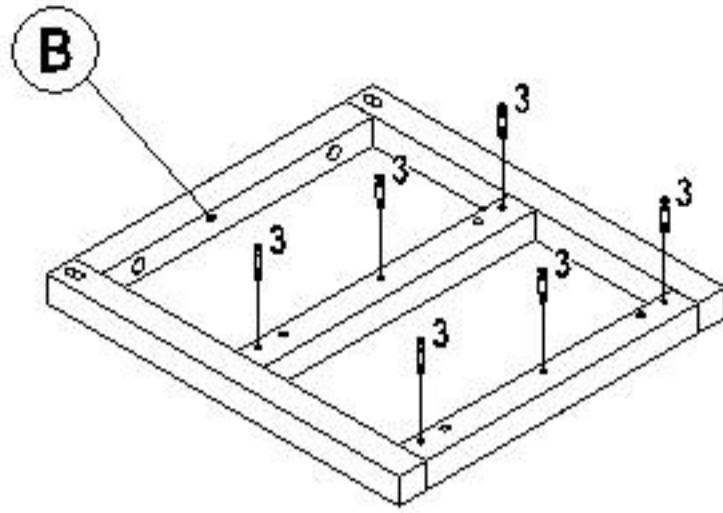
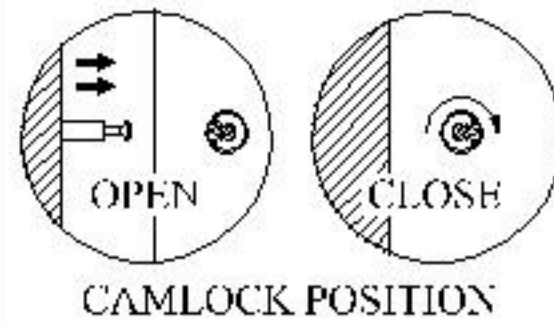
HARDWARE LIST

- | | | | |
|---|---|---|---|
|  |  |  |  |
| (1) Wooden Dowel - 12 pcs | (2) M4x38mm Chipboard Screw - 4 pcs | (3) Camlock Screw - 12 pcs | (4) Camlock & Cap - 12 pcs |
|  |  | | |
| (5) M6x40mm JCBC Screw - 10 pcs | (6) 4mm Hex Wrench - 1 pc | | |

Note: EXTRA hardwares are included

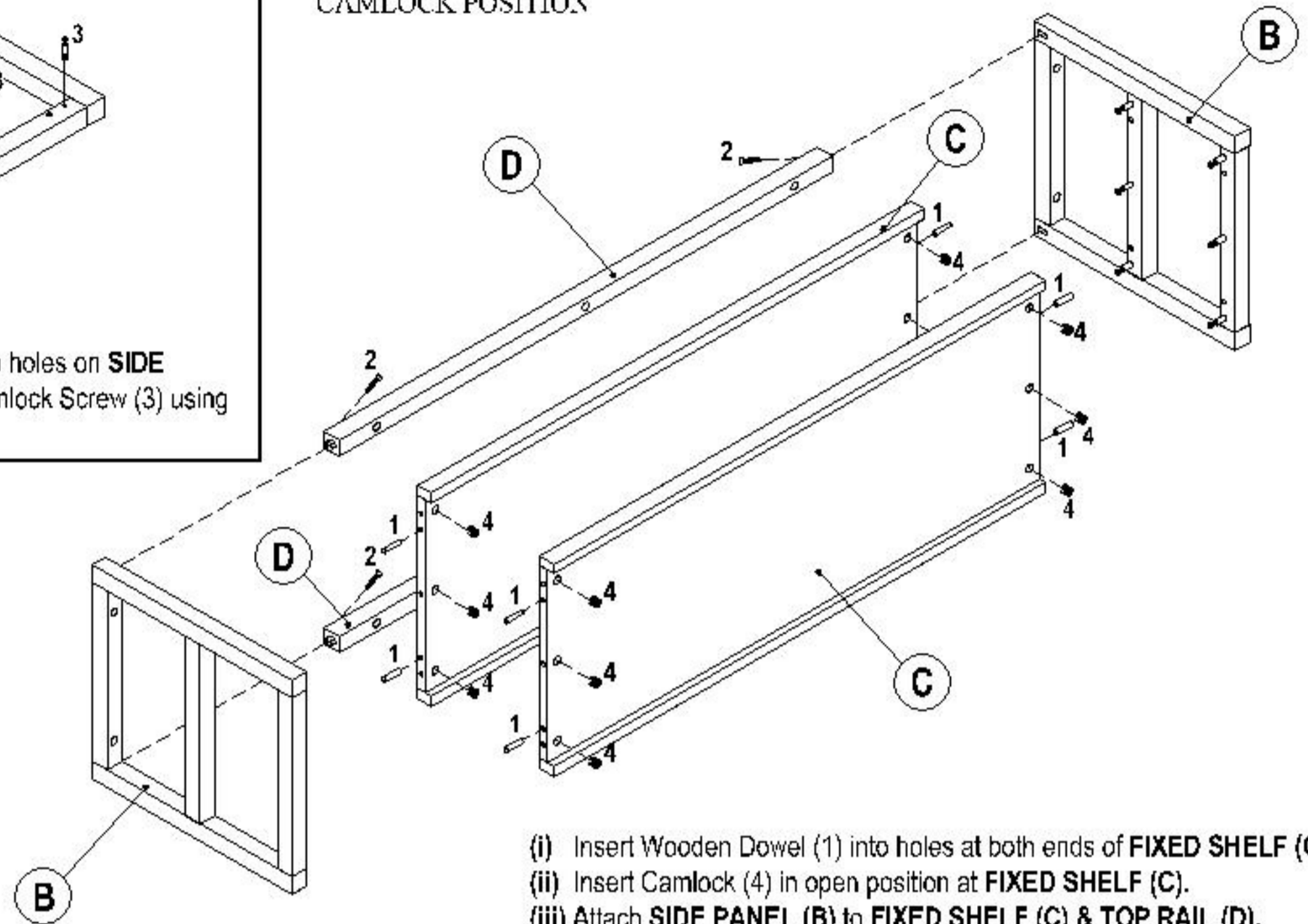
STUDIO 47" ENTERTAINMENT BASE

ASSEMBLY INSTRUCTION



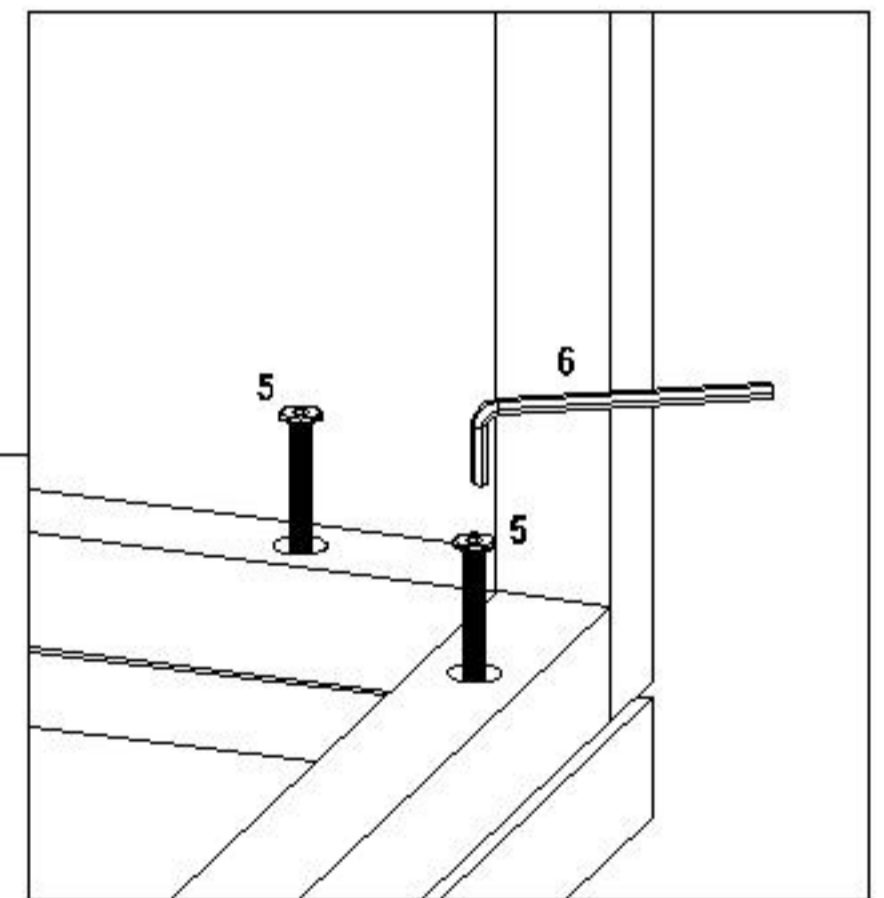
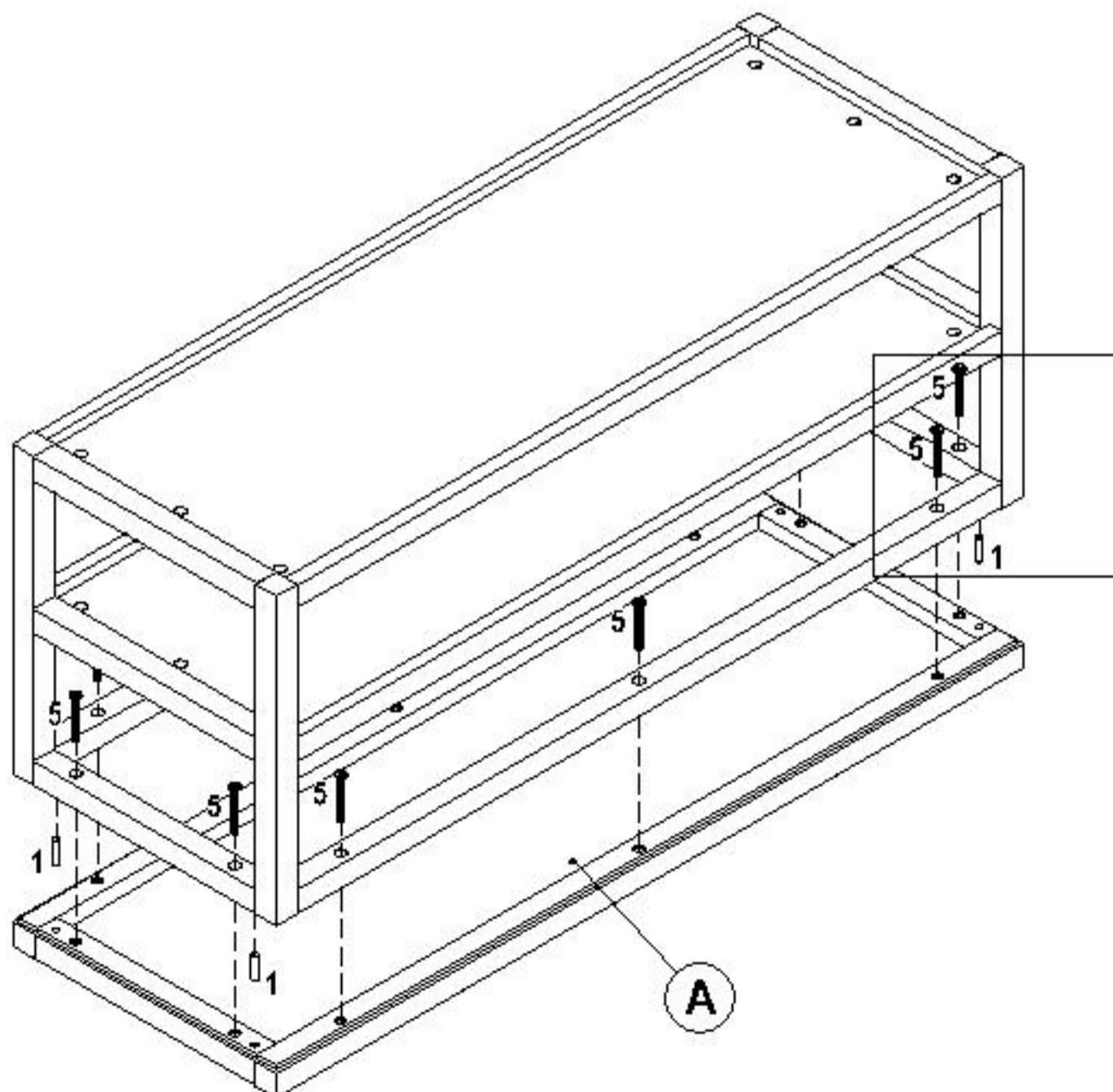
1

Insert Camlock Screw (3) into holes on **SIDE PANEL (B)**. Fully tighten Camlock Screw (3) using Philips Head Screwdriver.



2

- (i) Insert Wooden Dowel (1) into holes at both ends of **FIXED SHELF (C)**.
- (ii) Insert Camlock (4) in open position at **FIXED SHELF (C)**.
- (iii) Attach **SIDE PANEL (B)** to **FIXED SHELF (C)** & **TOP RAIL (D)**.
- (iv) Tighten all Camlock (4) to close position using 4mm Hex Wrench (6).
- (v) Tighten Chipboard Screw (2) to **TOP RAIL (D)** using Philips Head Screwdriver.



3

- (i) Insert Wooden Dowel (1) into holes at top of **SIDE PANEL (B)**.
- (ii) Carefully place the **TOP PANEL (A)** on a flat safe surface.
NOTE : Please find a suitable surface to avoid damaging the parts.
- (iii) Attach the assembled unit to **TOP PANEL (A)** using guiding dowels.
- (iv) Insert JCBC Screw (5) into correct hole position at **SIDE PANEL (B)** & **TOP RAIL (D)**, fully tighten the screw using 4mm Hex Wrench (6).