

Thank You for purchasing this Quality product. It has been engineered for easy assembly yet constructed for durability. Please take the time to read and follow the instructions while assembling. Please be sure to read the Notes section at the bottom of the page before beginning Assembly. Thank You

ASSEMBLY INSTRUCTION

AVERY 98" PEDESTAL TABLE

Model : C1-AV4298-T/B-0 (TOVE-1505-T&B)

Size : 42" X 78" X 98" X 30"H

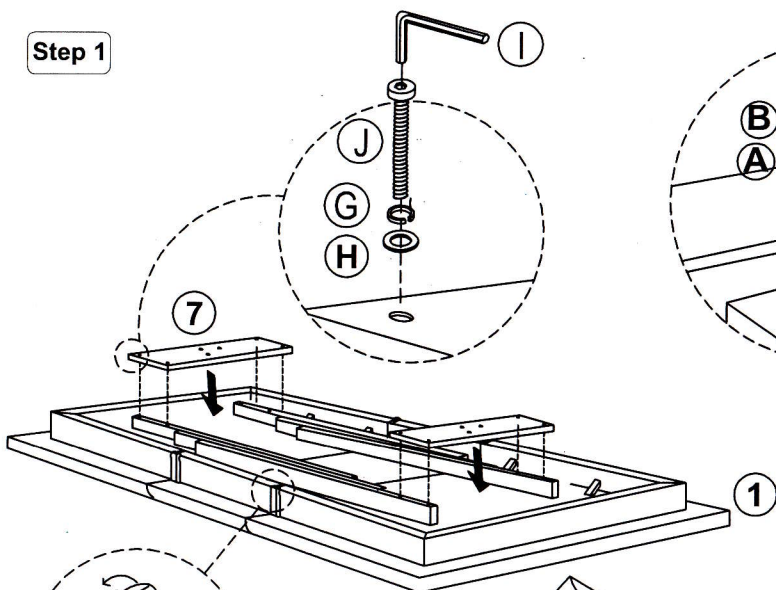
List of Part For 1 Set

| | | | |
|----|--|----------------|---|
| 01 | | Table Top | 1 |
| 02 | | Leaf | 1 |
| 03 | | Base | 2 |
| 04 | | Pedestal | 2 |
| 05 | | Bottom Rail | 1 |
| 06 | | Gap Cover | 2 |
| 07 | | Mounting Plate | 2 |

List of hardware For 1 Set

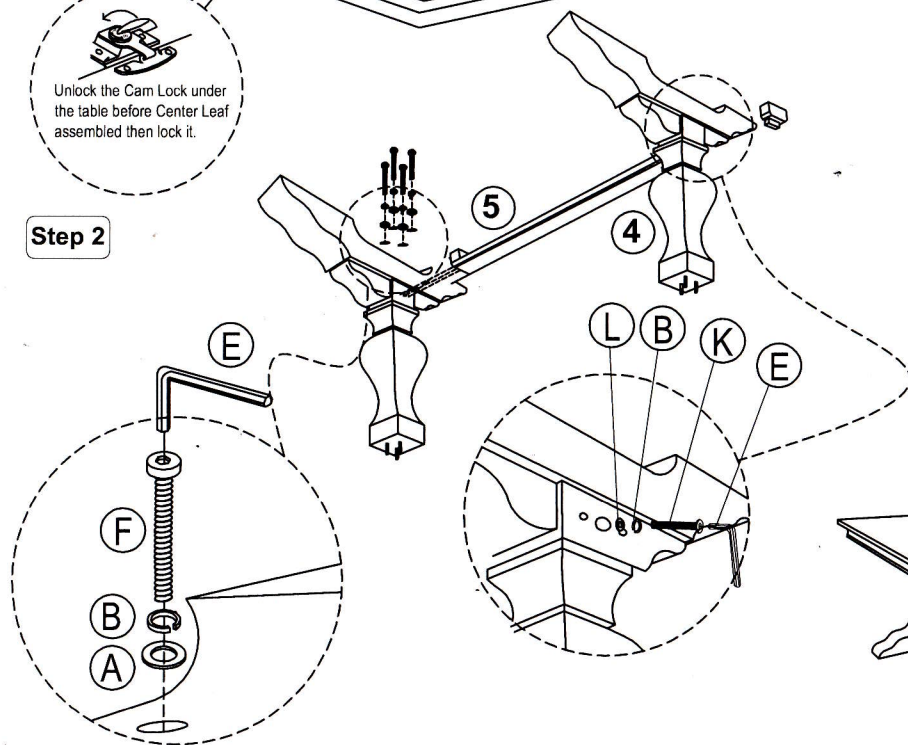
| | | | |
|---|--|-----------------------------|----|
| A | | Flat Washer 5/16" x 22mm | 14 |
| B | | Spring Washer 5/16" | 16 |
| C | | Hexagon Nut 5/16" x 7mm | 6 |
| D | | Spanner 12.8mm | 1 |
| E | | Allen Key M5 (BK) | 1 |
| F | | JCBC Bolt M8 x 95mm | 8 |
| G | | Spring Washer 1/4" RB | 8 |
| H | | Flat Washer 1/4" X18 RB | 8 |
| I | | Allen Key M4 (BK) | 1 |
| J | | JCBC Bolt M6 x 40mm | 8 |
| K | | JCBC Bolt M8 x 120mm | 2 |
| L | | Flat Washer 5/16" x 18mm | 2 |

Step 1

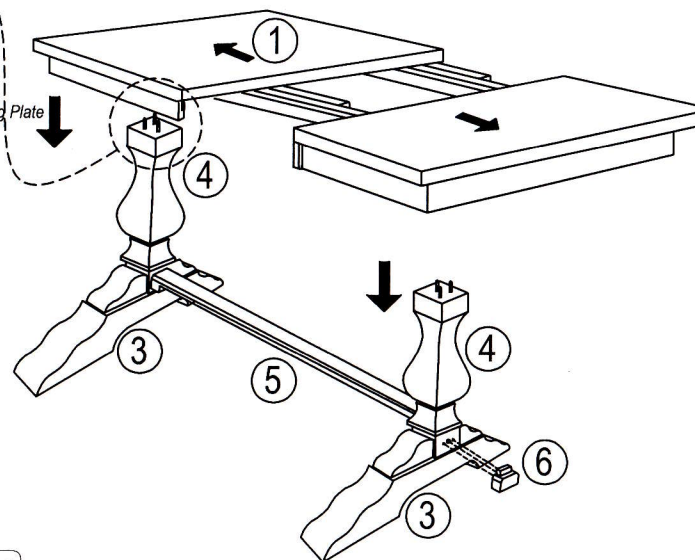


Unlock the Cam Lock under the table before Center Leaf assembled then lock it.

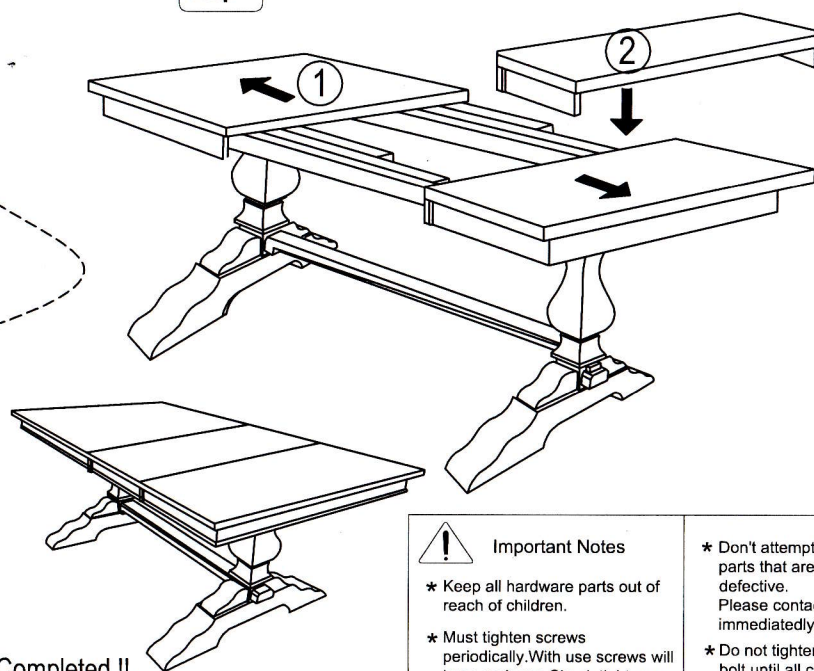
Step 2



Step 3



Step 4



Assembly Completed !!.

Important Notes

- * Keep all hardware parts out of reach of children.
- * Must tighten screws periodically. With use screws will become loose. Check tightness of all screws every 6-8 weeks.

- * Don't attempt to repair or modify parts that are broken or defective. Please contact the store immediately.
- * Do not tighten all screw / bolt until all completely assembled

MADE IN MALAYSIA