
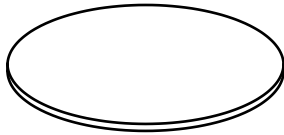
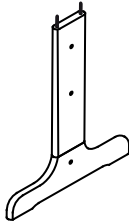



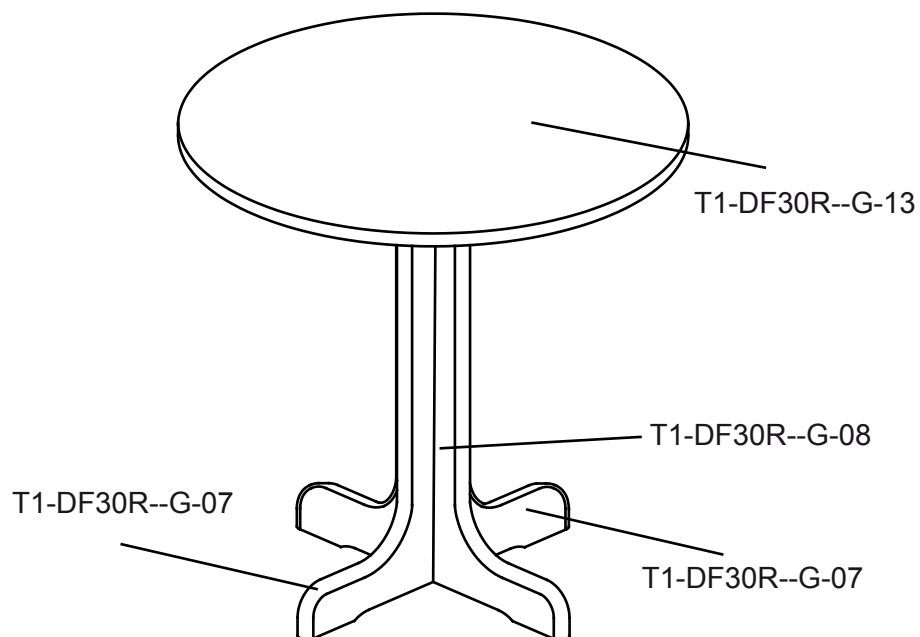
Assembly Instructions

TI-DF30R--G
 DELFINI 30" ROUND PEDESTAL TABLE

PARTS LIST

PART NO	FIGURE	DESCRIPTION	QTY
T1-DF30R--G-01		Hardware Bag	1 pce
T1-DF30R--G-13		Table Top	1 pce
T1-DF30R--G-08		Pedestal Stand	1 pce
T1-DF30R--G-07		Pedestal Leg	2 pcs

IMPORTANT NOTE : Please keep all hardware parts out of the reach of children.



Assembly Instructions

TI-DF30R--G

DELFINI 30" ROUND PEDESTAL TABLE

Reminders :










Two people are needed for assembly.

Use only hardware supplied.

Do not over tighten bolts.

This item may require periodic tightening.

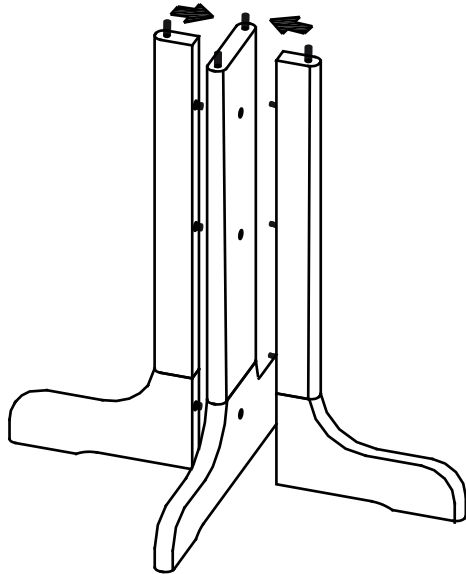
HARDWARE PART :

 Hex Nut 4 pcs	 Lock Washer (Large) 4 pcs	 Flat Washer (Large) 4 pcs	 Wrench 1 pc	 JCBC Bolt 4 pcs	 Lock Washer (Small) 4 pcs	 Flat Washer (Small) 4 pcs	 Allen Key 1 pc	 Metal Cross Bar 1 pc
--	--	--	---	---	--	---	--	--

ASSEMBLY :

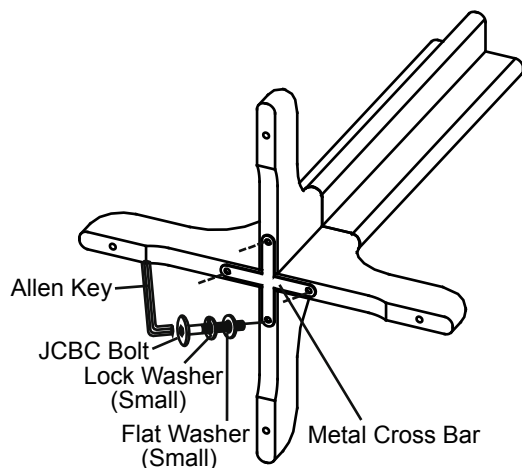
STEP 1

Attach pedestal leg to the pedestal stand by inserting the wood dowel into the pre-drilled holes on the pedestal stand.



STEP 2

Turn base upside down as shown and attach metal cross bar on pedestal leg by using the provided hardware as shown.



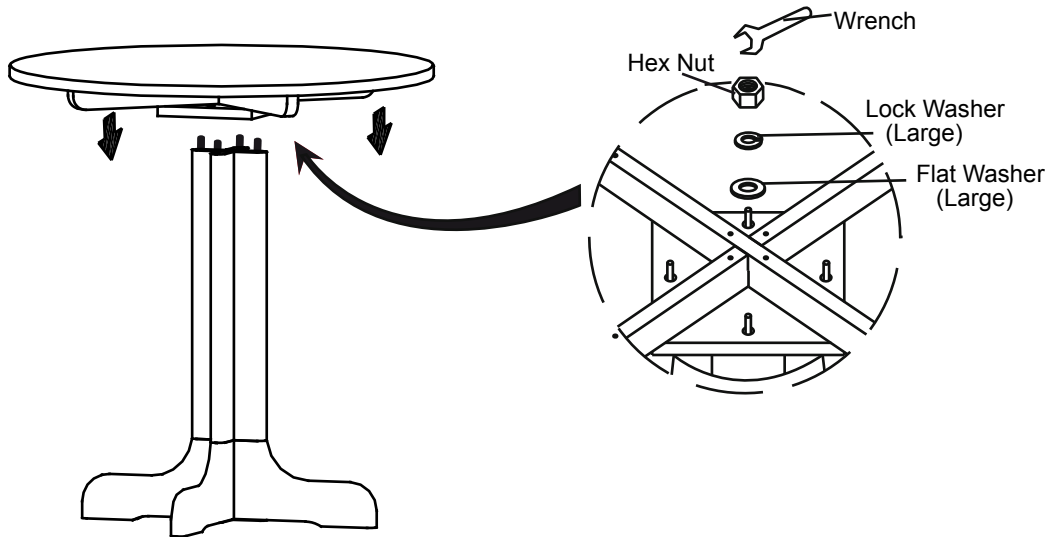
Assembly Instructions

TI-DF30R--G

DELFINI 30" ROUND PEDESTAL TABLE

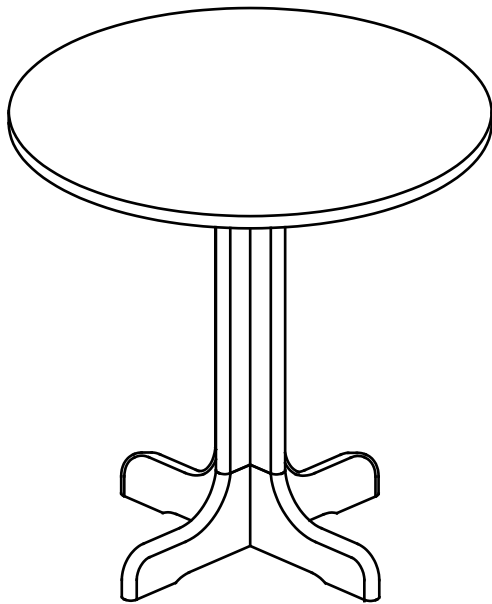
STEP 3

Align and attach the table top to the base Assembly by inserting the provided hardware as shown.



STEP 4

Adjust the levelers until the table sits firmly.



IMPORTANT NOTE :

~ Please keep all hardware out of the reach of children.

CARE INSTRUCTION

~ Be sure to use the same type of polish consistently. Your furniture will appear cloudy or streaky if oil based or wax based polishes are interchanged.
~ Spray your furniture surface evenly. Wipe in a circular motion with a soft clean cloth.