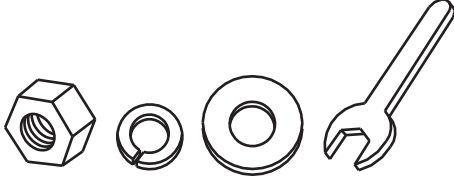

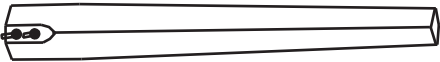


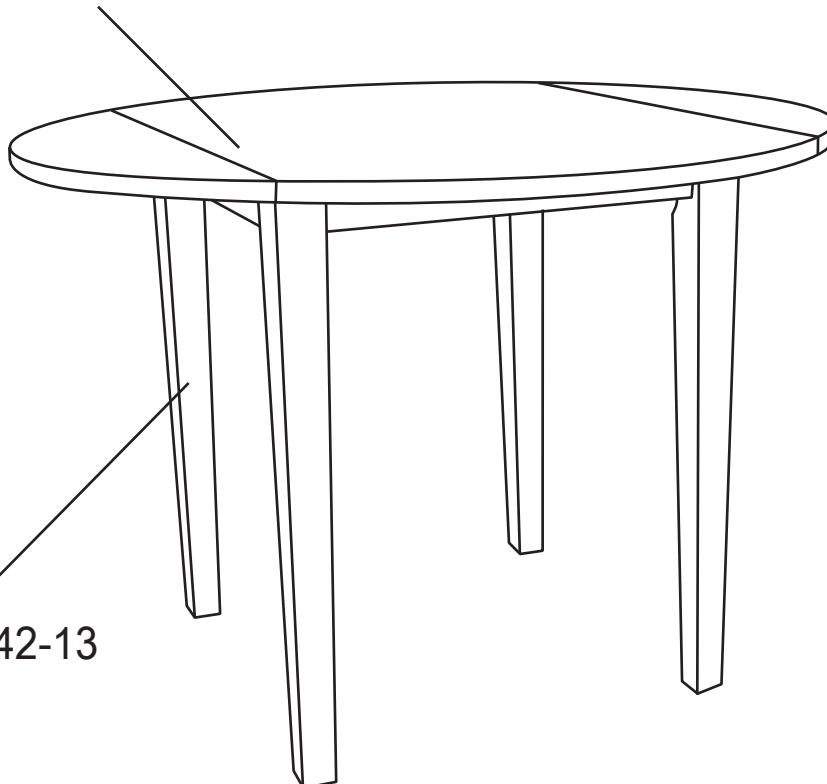
Assembly Instruction

ROUND SOLID TOP DROP LEAF LEG TABLE
T1-DF42R-F and -X

PARTS LIST

PART NO	FIGURE	DESCRIPTION	Q'TY
DF24242-01		HARDWARE BAG	1 Pc
DF24242-07		TABLE TOP	1 Pc
DF24242-13		LEG	4 Pcs

DF24242-07

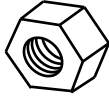


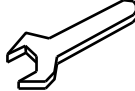


DF24242-13

Assembly Instruction

ROUND SOLID TOP DROP LEAF LEG TABLE T1-DF42R-F and -X

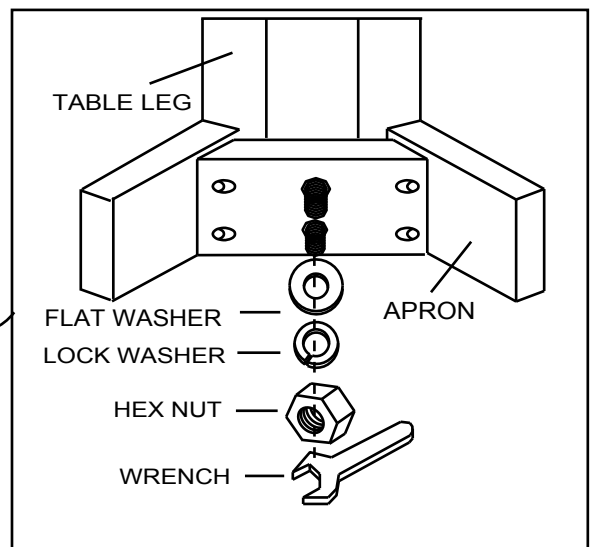
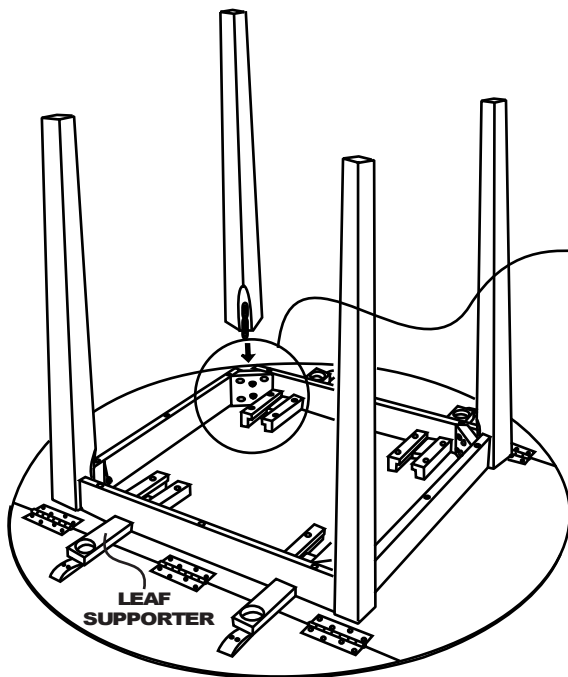
HARDWARE PART :

			
HEX NUT 8 pcs	LOCK WASHER 8 pcs	FLAT WASHER 8 pcs	WRENCH 1 pc

NOTE: UNIT SHOULD BE ASSEMBLY BY 2 OR MORE PEOPLE.

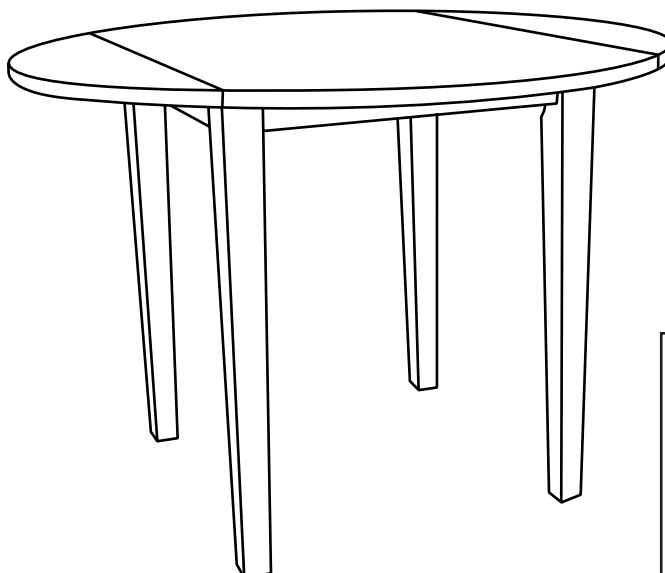
STEP 1

TURN THE TABLE TOP UPSIDE DOWN ON A PROTECTIVE SURFACE SUCH AS CARPET OR OTHER SOFT MATERIAL. PLACE THE LEG TO THE CORNER OF THE APRON, THEN TIGHTEN THE **FLAT WASHER** , **LOCK WASHER** AND **HEX NUT** USING THE **ALLEN KEY** PROVIDED. REPEAT THE SAME FOR THE OTHER LEGS.



STEP 2

SET TABLE UPRIGHT ON ITS LEGS.



IMPORTANT NOTE :

~ Please keep all hardware out of the reach of children.

CARE INSTRUCTION

~ Be sure to use the same type of polish consistently. Your furniture will appear cloudy or streaky if oil based or wax based polishes are interchanged.
~ Spray your furniture surface evenly. Wipe in a circular motion with a soft clean cloth.