

IMPORTANT NOTICE:
Storing and opening the leaf requires 2 people.

WINNERS ONLY®

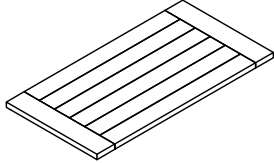
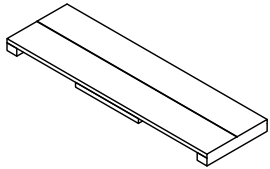
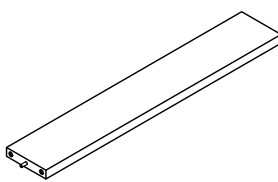
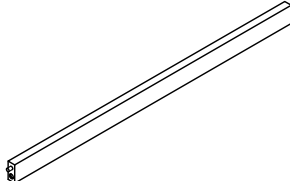
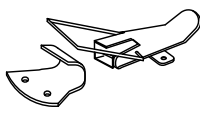
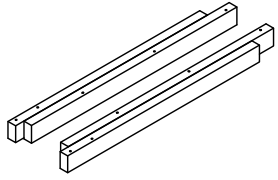
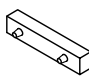
ASSEMBLY INSTRUCTIONS

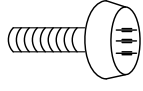
PROD. NO : T1-ML4002 -T -O
T1-ML4002 -B -O

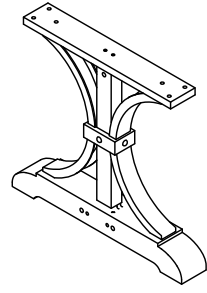
Thank you for purchasing this quality product. Be sure to check all packaging materials carefully for small parts that may have come loose inside the carton during shipment.

Reminders





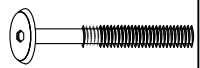
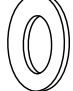

1. Use only the hardware supplied.
2. Do not over-tighten bolts.
3. This item may require periodic tightening.

T1-ML4002 -T -O COMPONENTS LIST			QTY
A	Table Top		1pc
B	Table Leaf		2pcs
C	Bottom Rail		1pc
D	Trestle Bar		1pc
E	Clamp Lock		8pcs
F	Wood Glide (Left- Right)		4pcs
G	Cap		2pcs

H	Adjustable Leveler		4pcs
---	--------------------	---	------

T1-ML4002 -B -O COMPONENTS LIST			QTY
I	Table Leg		2pcs

Hardware List :

NO	DESCRIPTION	SIZE	FIGURE	QTY
1	Short Bolt	Ø5/16"x 64mm		10pcs
2	Spring Washer	Ø5/16"x 12mm		14pcs
3	Small Flat Washer	Ø5/16"x 14mm		6pcs
4	Allen Key	58x 23x 4mm		1pc
5	Long Bolt	Ø5/16"x 125mm		4pcs
6	Flat Washer	Ø5/16"x 19mm		8pcs
7	Wood Cap	Ø15.5x 10mm		2pcs

IMPORTANT NOTE:

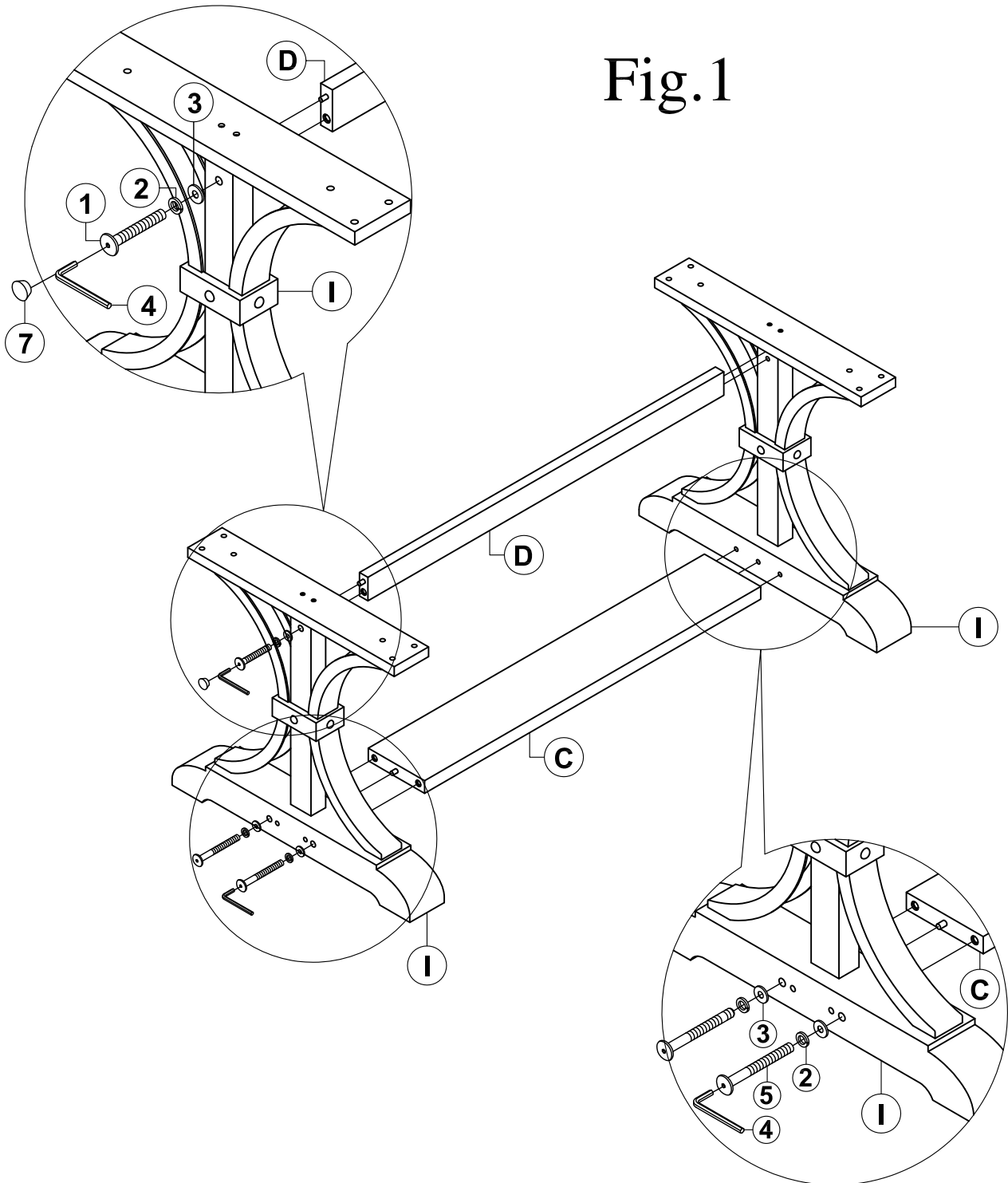
- Please keep all hardware parts out of the reach of children.
- Two or more people are needed for assembly.

WINNERS ONLY[®]

ASSEMBLY INSTRUCTIONS

Step 1.

Attached table leg (I) to the Trestle Bar (D) and Bottom Rail (C) using the provided hardware as shown on Fig.1 .

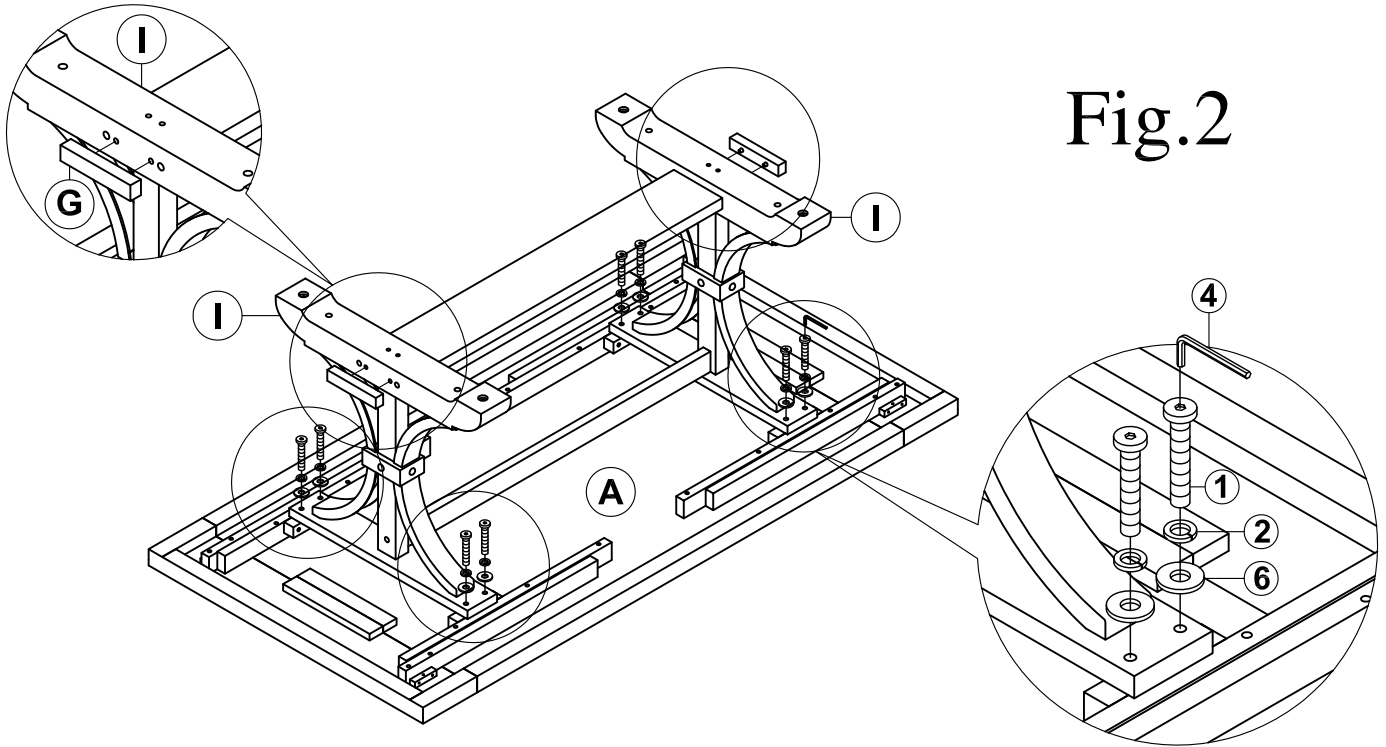


WINNERS ONLY®

ASSEMBLY INSTRUCTIONS

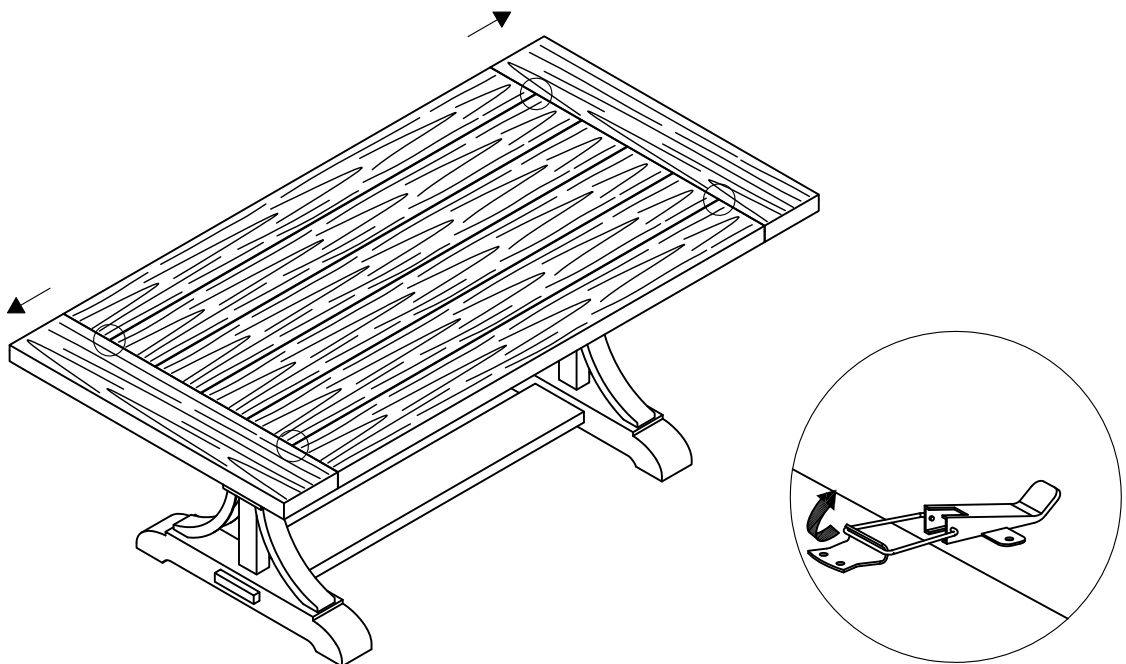
STEP 2:

Place Table Top (A) upside down on a soft protective surface such as a carpet. Turn the table base assembly upside down and attach table base assembly to the Table Top (A) Using the Provided Hardware as shown in Fig. 2 And add Cap to table legs



STEP 3:

- Turn the table to upright position. Unlock the Clamp Locks (E) underneath the Table Top (A). pull from both ends of table top (A).



WINNERS ONLY[®]

ASSEMBLY INSTRUCTIONS

STEP 4:

Place the Table Leaf (B) in position and push Table Top (A) from both ends to close. Lock the Clamp Lock (E) underneath the Table Top (A) to prevent injury from sliding table top (A).

