

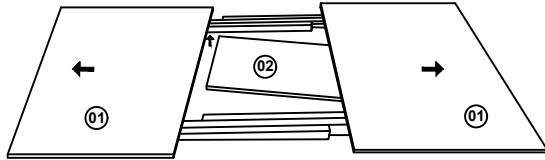
Thank You for purchasing this Quality product. It has been engineered for easy assembly yet constructed for durability. Please take the time to read and follow the instructions while assembling.

ASSEMBLY INSTRUCTION

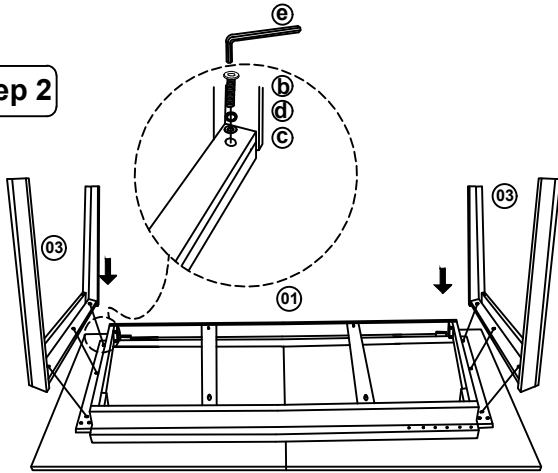
MEMPHIS 34 X 06 TABLE TOP/BASE

Model:T1-MP3406-T-G-B-G(DSEEE1938)

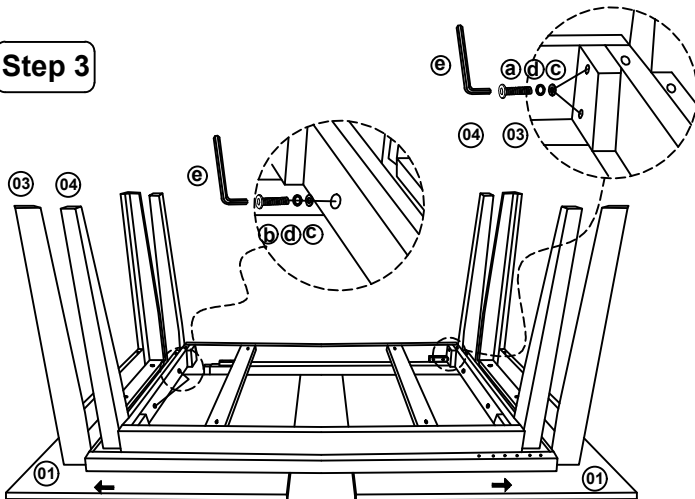
Step 1 Place the Table on a Flat Surface. Extend the Leaves and Remove the Extension Leaves inside the table. Then,close the table again.



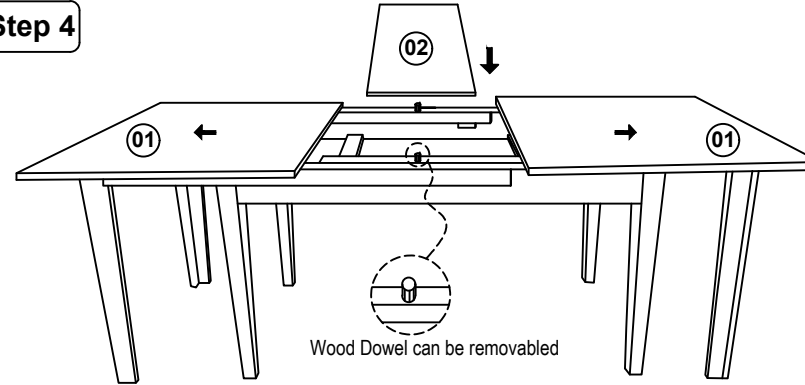
Step 2



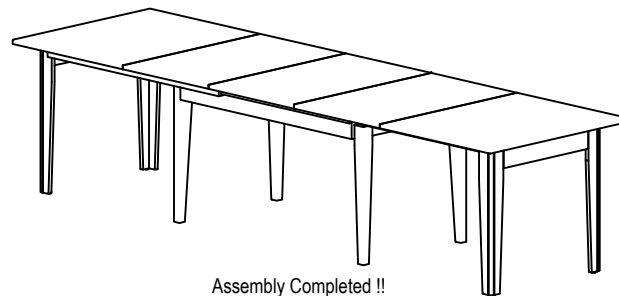
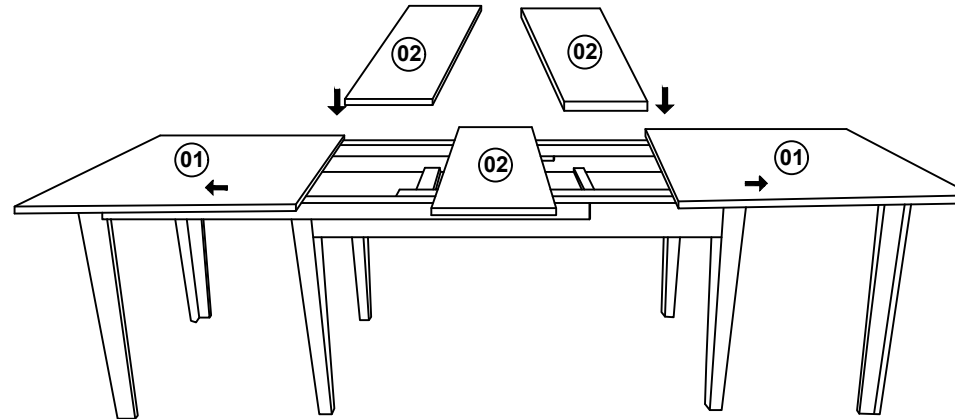
Step 3



Step 4



Step 5



SIZE: 34"x52"x70"x88"x106"x 30"H

List of Part For 1 Set

Code	Figure	Part	Qty.
01		Table Top	1
02		Center Leaf	3
03		Side Leg	2
04		Center Leg	2

List of hardware For 1 Set

Code	Figure	Hardware	Qty.
a		JCBC Bolt M 6 x 70mm	8
b		JCBC Bolt M 6 x 45mm	10
c		Flat Washer 1/4" x 18mm	18
d		Spring Washer 1/4"	18
e		Allen Key M 4	1

⚠ Important Notes

- * Keep all hardware parts out of reach of children.
- * Must tighten screws periodically. With use screws will become loose. Check tightness of all screws every 6-8 weeks.
- * Don't attempt to repair or modify parts that are broken or defective. Please contact the store immediately.
- * Do not tighten all screw / bolt until all completely assembled



WARNING

DO NOT LIFT THE TABLE UP WHEN IT IS EXTENDED, THIS WILL CAUSE STRUCTURAL DAMAGE.

ONLY LIFT THE TABLE UP WHEN THE LEAVES ARE STORED AND THE TABLE IS CLOSED.