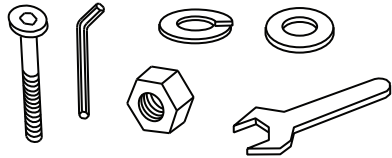
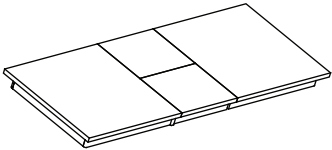
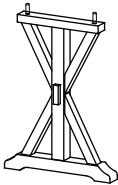
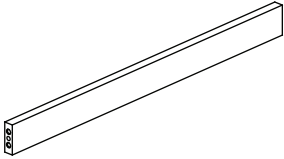
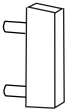


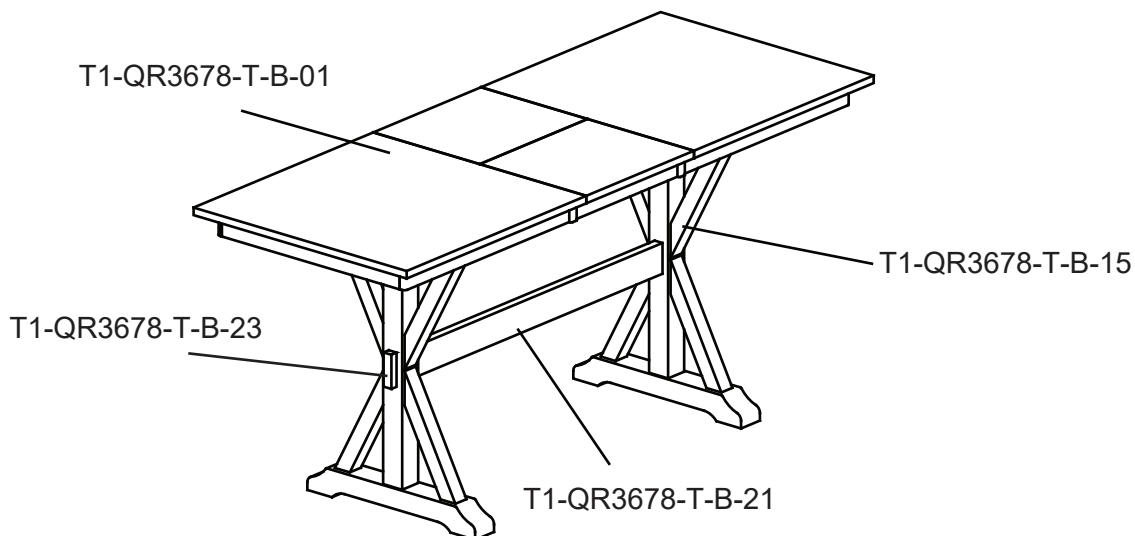
Assembly Instructions

T1-QR3678-T-B SOLID TOP TRESTLE BASE COUNTER HT. TABLE

PARTS LIST

PART NO	FIGURE	DESCRIPTION	QTY
T1-QR3678-T-B-01		Hardware Pack	1 pce
T1-QR3678-T-B-01		Table Top	1 pce
T1-QR3678-T-B-15		Trestle	2 pcs
T1-QR3678-T-B-21		Stretcher	1 pce
T1-QR3678-T-B-23		End Caps	2 pcs

IMPORTANT NOTE : Please keep all hardware parts out of the reach of children.



Assembly Instructions

T1-QR3678-T-B

SOLID TOP TRESTLE BASE COUNTER HT. TABLE

Reminders :

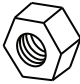


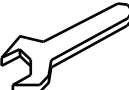


Two people are needed for assembly.

Use only hardware supplied.

Do not over tighten bolts.

This item may require periodic tightening.

HARDWARE PART :

					
Hex Nut 4 pcs	Lock Washer 8 pcs	Flat Washer 8 pcs	Wrench 1 pc	JCBB Bolt 4 pcs	Allen Key 1 pc

ASSEMBLY :

STEP 1

1.1 Attach the Stretcher to the Trestle using the supply hardware as shown in Fig.1
Add End Caps as shown in Fig.1

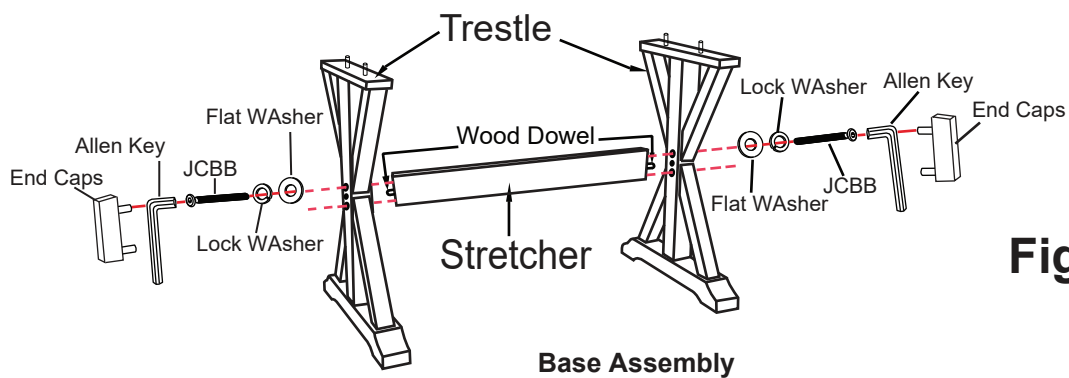
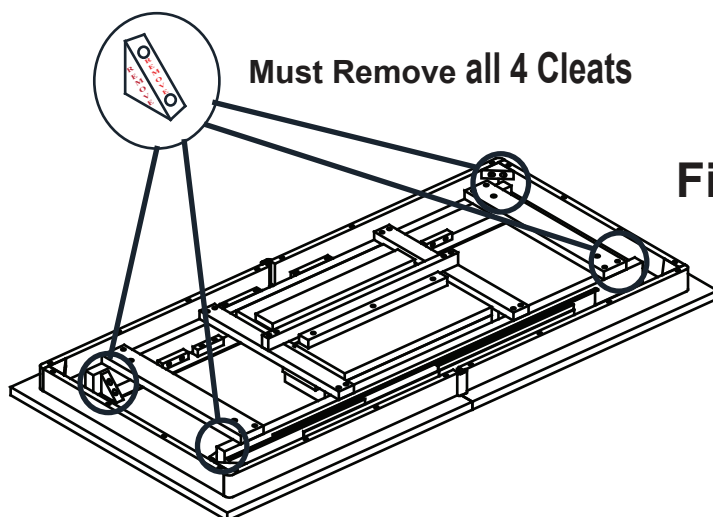


Fig.1

STEP 2

2.1- Place the Table Top upside down on a soft Protective surface such as a carpet. Remove cleats as shown on Fig 2 .



Assembly Instructions

T1-QR3678-T-B SOLID TOP TRESTLE BASE COUNTER HT. TABLE

ASSEMBLY :

STEP 3

3.1 - Attached Table Top to the trestle by using the supply hardware as shown on Fig.3

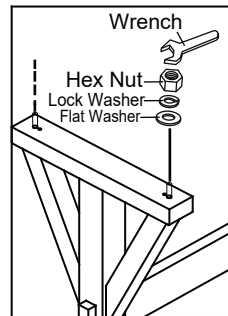
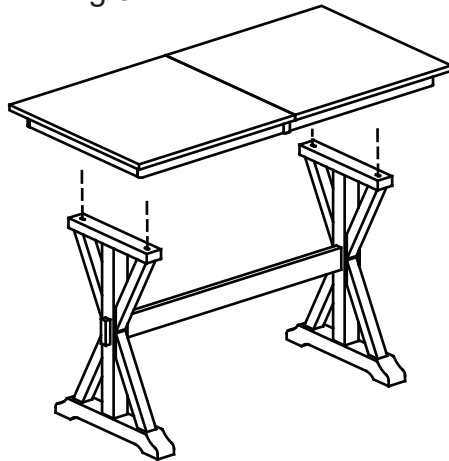
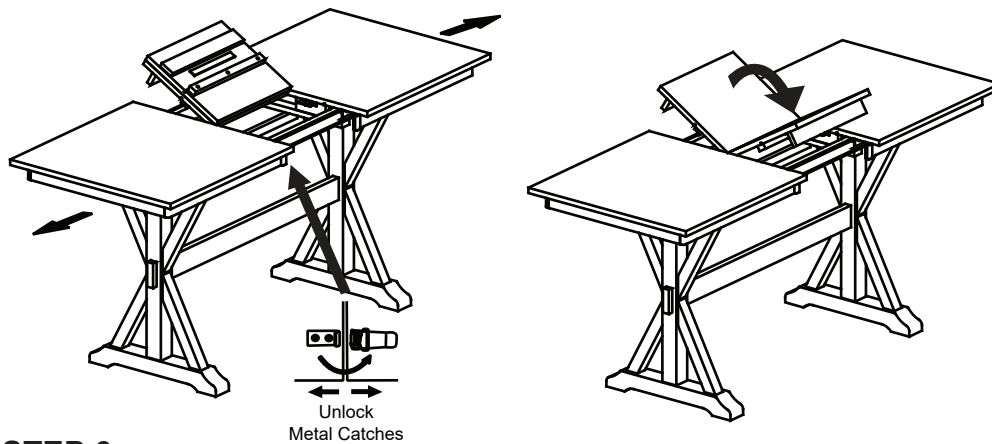


Fig.3

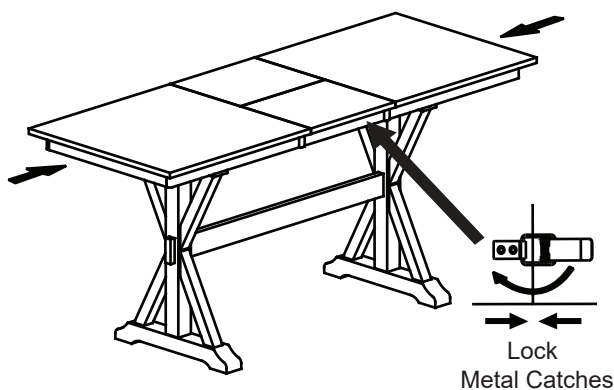
STEP 4

- 4.1 - Unlock the hook lock from underneath the table top and pull the table from both ends.
- 4.2 - Lift both leaves from the compartment.
- 4.3 - Flip up the aprons and unfold leaf and place the leaf on the Table Top surface carefully.



STEP 6

- 5.1 - Push Table Top from both ends to close. Lock the hooks underneath the table.



Assembly is now Completed.

IMPORTANT NOTE :

~ Please keep all hardware out of the reach of children.

CARE INSTRUCTION

- ~ Be sure to use the same type of polish consistently. Your furniture will appear cloudy or streaky if oil based or wax based polishes are interchanged.
- ~ Spray your furniture surface evenly. Wipe in a circular motion with a soft clean cloth.