

**IMPORTANT NOTICE:**  
Storing and opening the leaf requires 2 people.

# WINNERS ONLY®

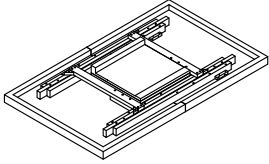
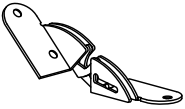
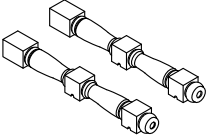
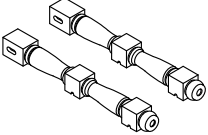
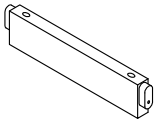
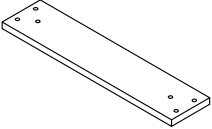
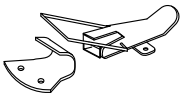
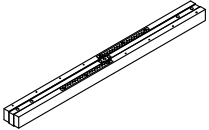
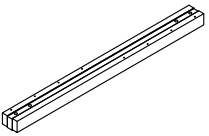
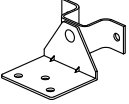
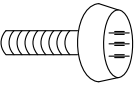
## ASSEMBLY INSTRUCTIONS

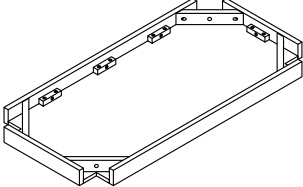
**PROD. NO : T1-SN3678 -T -X / T1-SN3678 -T -G  
T1-SN3678 -B -X / T1-SN3678 -B -G**

Thank you for purchasing this quality product. Be sure to check all packaging materials carefully for small parts that may have come loose inside the carton during shipment.



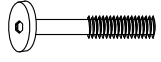

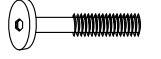
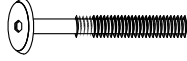
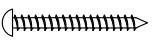
**Reminders**

1. Use only the hardware supplied.
2. Do not over-tighten bolts.
3. This item may require periodic tightening.

T1-SN3678 -T -X T1-SN3678 -T -G		COMPONENTS LIST	QTY
A	Table Top		1pc
B	Leaf Hinge		2pcs
C-1	Left Table Legs		2pcs
C-2	Right Table Legs		2pcs
D	Stretcher		2pcs
E	Mounting Plate		2pcs
F	Clamp Lock		4pcs
G	Gear Driven Glide		1pc
H	Wood Glide		1pc
I	Support Leaf Hinge		2pcs
J	Adjustable Leveler		4pcs

T1-SN3678 -B -X T1-SN3678 -B -G		COMPONENTS LIST	QTY
K	BOTTOM SHELF		2pcs

**Hardware List :**

NO	DESCRIPTION	SIZE	FIGURE	QTY
1	Flat Washer	Ø5/16"x 19mm		20pcs
2	Spring Washer	Ø5/16"x 12mm		20pcs
3	Short Bolt	Ø1/4"x75mm		8pcs
4	Allen Key	58x 23x 4mm		1pc
5	Short Bolt	Ø5/16"x 45mm		4pcs
6	Long Bolt	Ø5/16"x 64mm		8pcs
7	Screw	Ø8x 50mm		4pcs

**IMPORTANT NOTE:**  
- Please keep all hardware parts out of the reach of children.  
- Two or more people are needed for assembly.

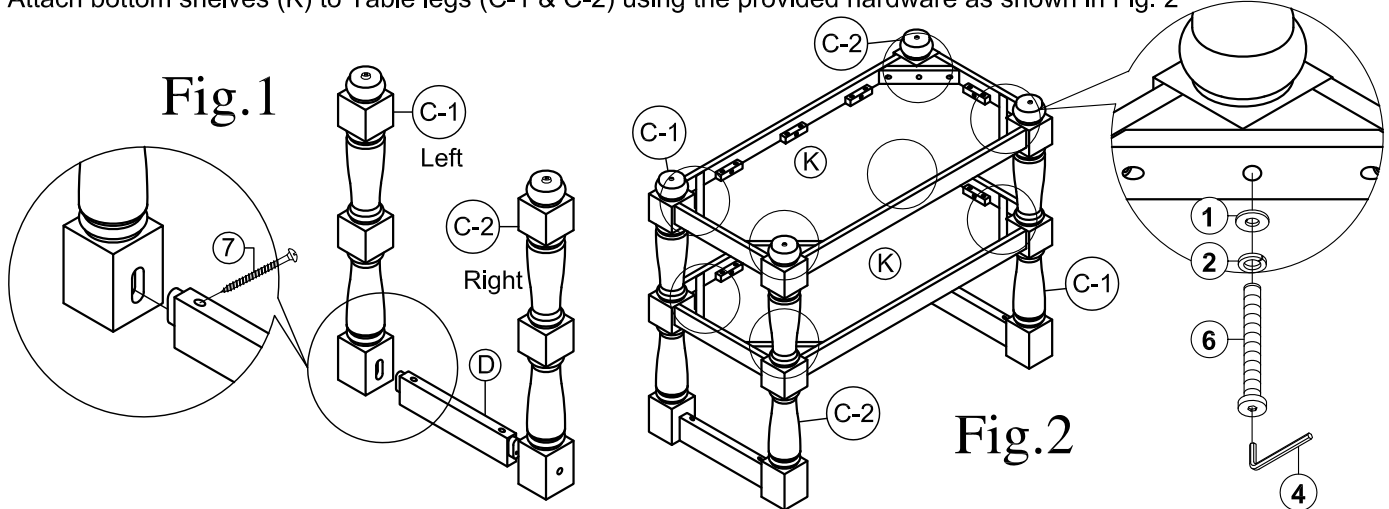
# WINNERS ONLY<sup>®</sup>

## ASSEMBLY INSTRUCTIONS

### STEP 1:

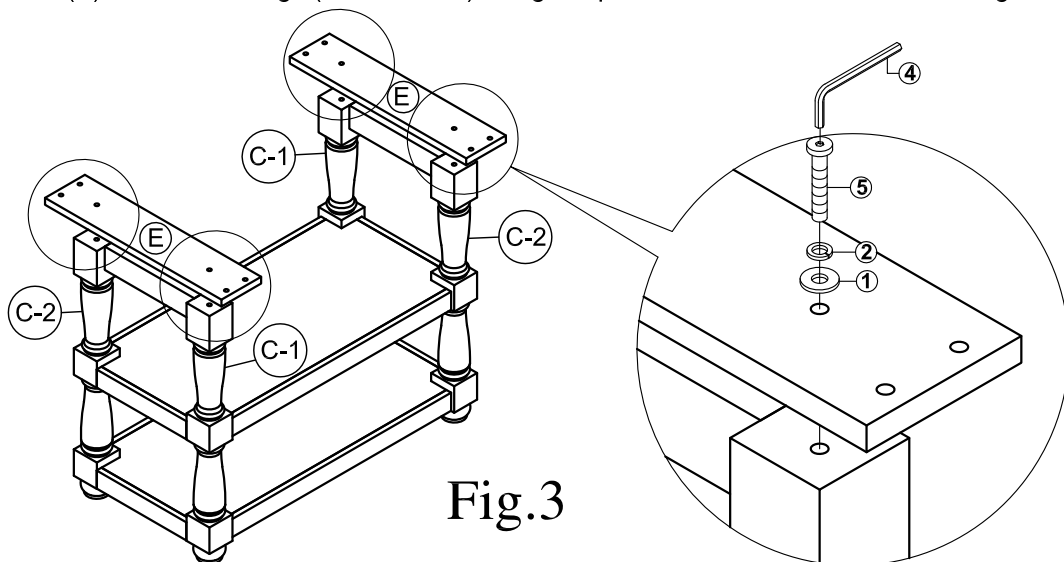
Attach Table Legs (C-1 & C-2) to the Stretchers using the provided hardware as shown in Fig.1.

Attach bottom shelves (K) to Table legs (C-1 & C-2) using the provided hardware as shown in Fig. 2



### STEP 2:

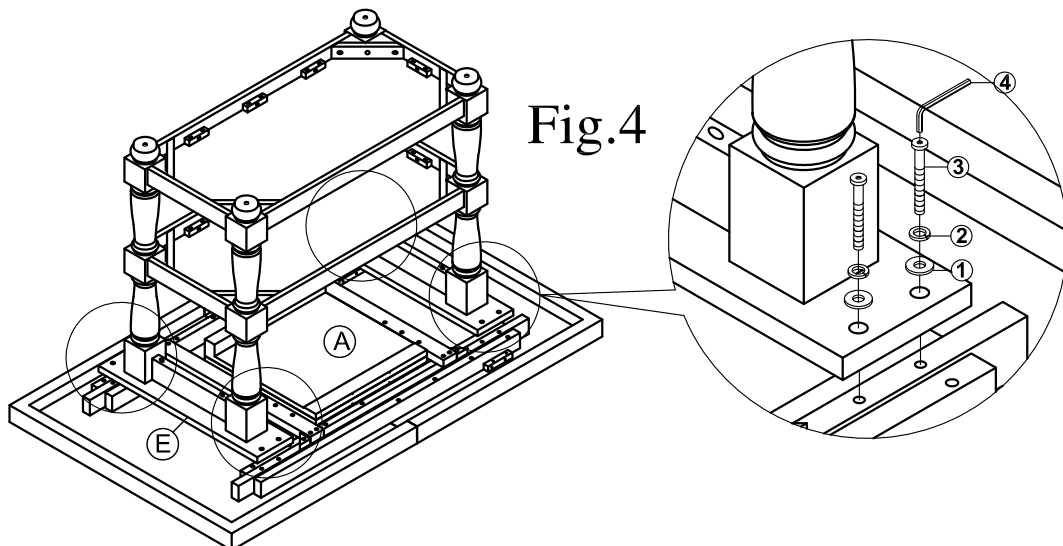
Attach Mounting Plate (E) to the Table legs (C-1 and C-2) using the provided hardware as shown in Fig. 3.



### STEP 3:

Place table top (A) upside down on a smooth and flat surface.

Attach Mounting Plate (E) to the Table Top (A), using the provided hardware as shown in Fig. 4.



# WINNERS ONLY®

## ASSEMBLY INSTRUCTIONS

### STEP 4:

- Turn the table to the upright position.
- Pull the Table Top (A) from both ends and open the table leaf which is stored underneath the table top.
- Close the table top by pushing from both ends and clamp lock the latch underneath the table top to prevent from sliding.
- Please put your hand in the place as shown in the illustration when pick up the butterfly leaf to avoid injury

