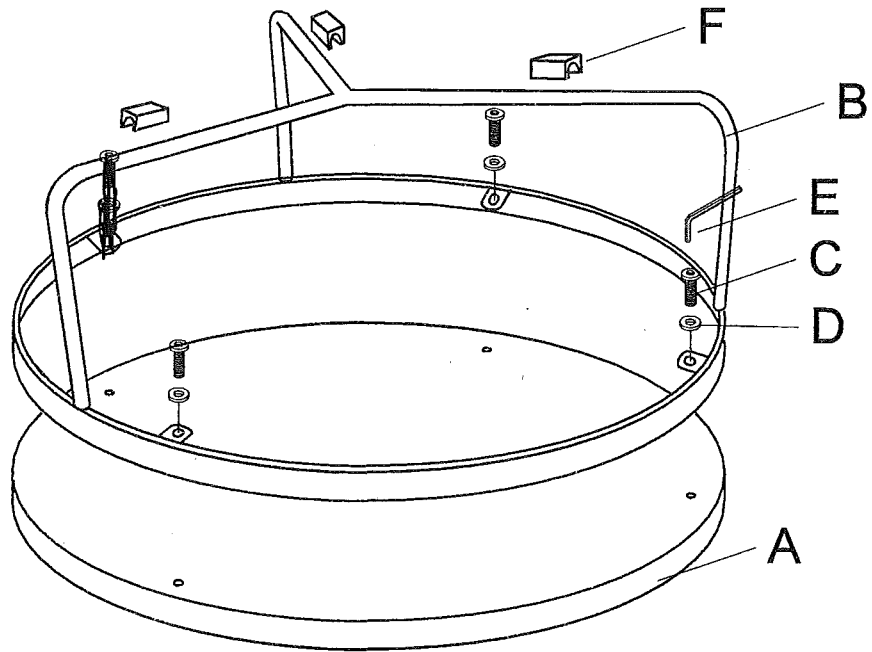
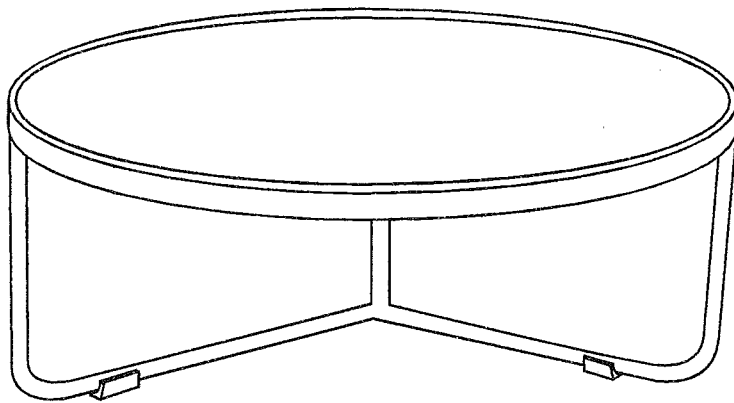


1



2



| Ax1 | Bx1 | Cx4 | Dx4 | Ex1 | Fx3 |
|-----|-----|-----|-----|-----|-----|
| | | | | | |