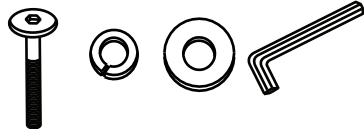
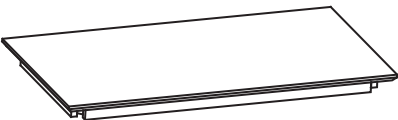

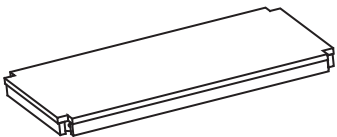


# Assembly Instructions

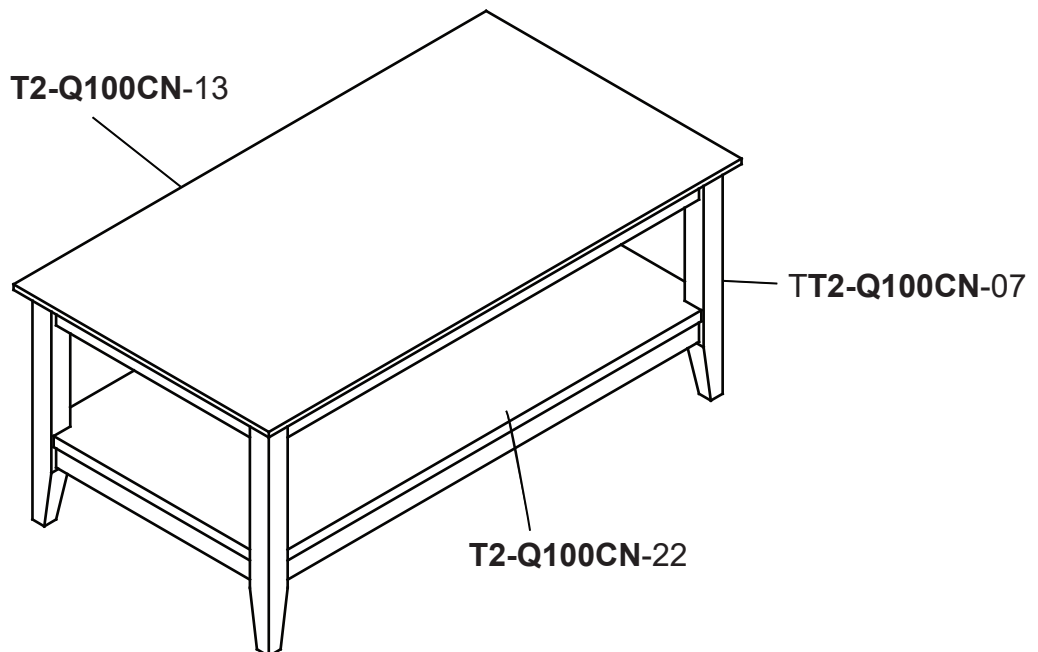
T2-Q100CN

SOLID R/W COFFEE TABLE

## PARTS LIST

PART NO	FIGURE	DESCRIPTION	QTY
T2-Q100CN-01		Hardware Bag	1 pce
T2-Q100CN-13		Table Top	1 pce
T2-Q100CN-07		Legs	4 pcs
T2-Q100CN-22		Fixed Shelf	1 pce

**IMPORTANT NOTE :** Please keep all hardware parts out of the reach of children.



# Assembly Instructions





T2-Q100CN

SOLID R/W COFFEE TABLE

## Reminders :

Two people are needed for assembly.  
Use only hardware supplied.  
Do not over tighten bolts.  
This item may require periodic tightening.

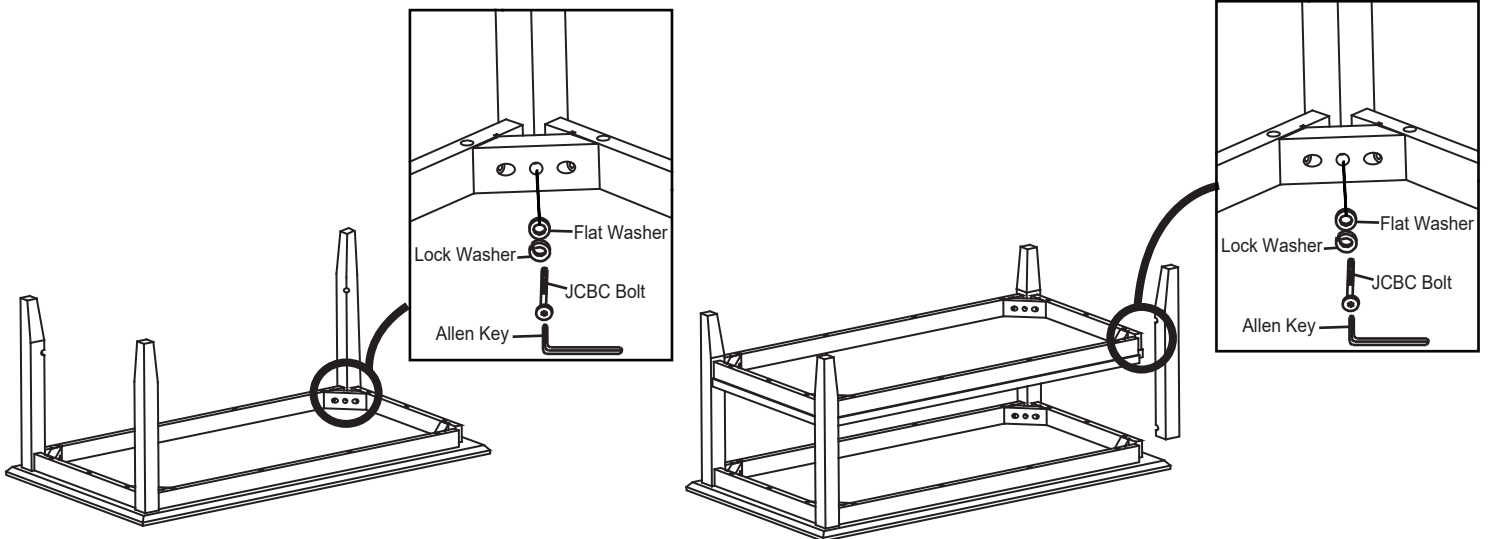
## HARDWARE PART :

			
JCBC Bolt 8 pcs	Lock Washer 8 pcs	Flat Washer 8 pcs	Allen Key 1 pce

## ASSEMBLY :

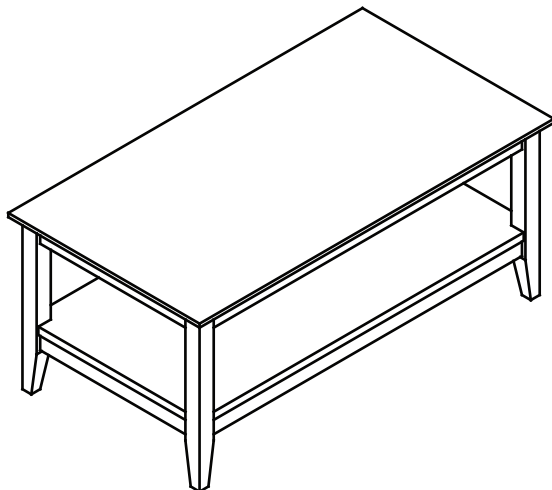
### STEP 1

Turn the Table Top upside down on a protective surface such as carpet or other soft material. Place the three legs to the corner of the apron then insert the **Flat Washer**, **Lock Washer** and **JCBC Bolt** into pre-drilled holes on the corner block and tighten it by using the **Allen key** provided. Insert the Fixed Shelf into the assembly legs as shown in the diagram, then install the fourth leg by use **Flat Washer**, **Lock Washer** and **JCBC Bolt** into pre-drilled holes on the corner block and tighten it by using the **Allen key** provided. Continue by using the **Flat Washer**, **Lock Washer** and **JCBC Bolt** into pre-drilled holes on the corner block of Fixed Shelf and by using the **Allen key** provided.



### STEP 2

Check its balance and tighten all bolts to complete the assembly.



#### IMPORTANT NOTE :

~ Please keep all hardware out of the reach of children.

#### CARE INSTRUCTION

~ Be sure to use the same type of polish consistently. Your furniture will appear cloudy or streaky if oil based or wax based polishes are interchanged.  
~ Spray your furniture surface evenly. Wipe in a circular motion with a soft clean cloth.