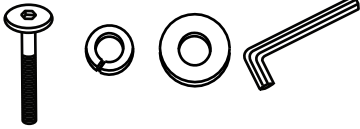
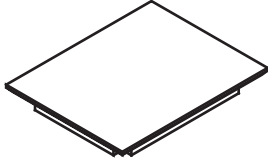

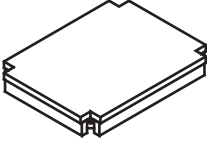


Assembly Instructions

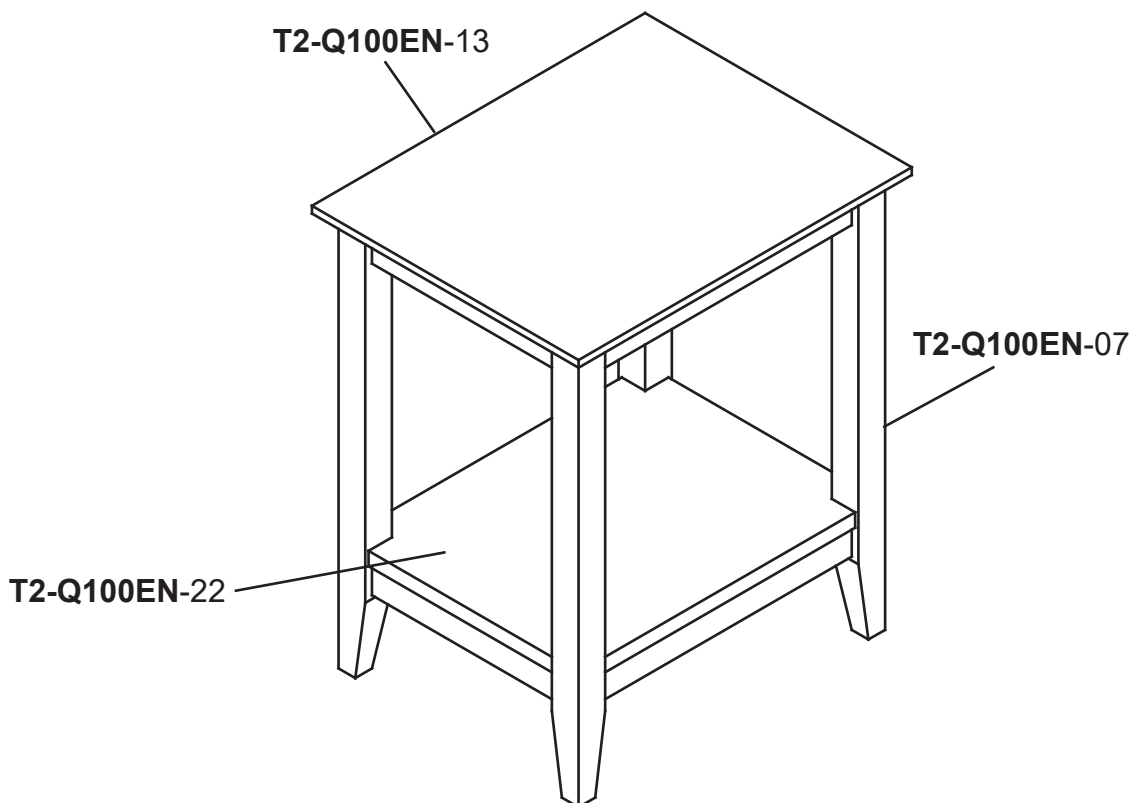
T2-Q100EN

SOLID R/W END TABLE

PARTS LIST

PART NO	FIGURE	DESCRIPTION	QTY
T2-Q100EN-01		Hardware Bag	1 pce
T2-Q100EN-13		Table Top	1 pce
T2-Q100EN-07		Legs	4 pcs
T2-Q100EN-22		Fixed Shelf	1 pce

IMPORTANT NOTE : Please keep all hardware parts out of the reach of children.







Assembly Instructions

T2-Q100EN
SOLID R/W END TABLE

Reminders :

Two people are needed for assembly.
Use only hardware supplied.
Do not over tighten bolts.
This item may require periodic tightening.

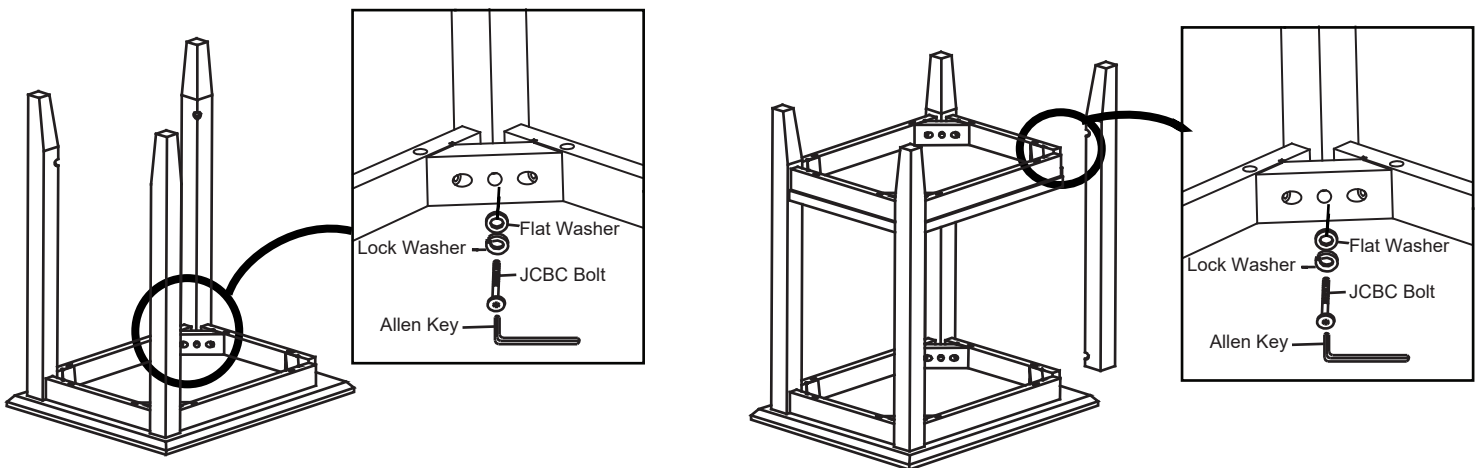
HARDWARE PART :

			
JCBC Bolt 8 pcs	Lock Washer 8 pcs	Flat Washer 8 pcs	Allen Key 1 pce

ASSEMBLY :

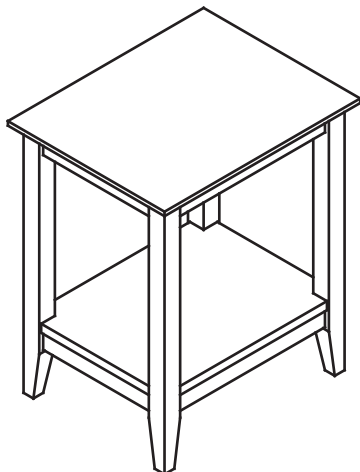
STEP 1

Turn the Table Top upside down on a protective surface such as carpet or other soft material. Place the three legs to the corner of the apron then insert the **Flat Washer**, **Lock Washer** and **JCBC Bolt** into pre-drilled holes on the corner block and tighten it by using the **Allen key** provided. Insert the Fixed Shelf into the assembly legs as shown in the diagram, then install the fourth leg by use **Flat Washer**, **Lock Washer** and **JCBC Bolt** into pre-drilled holes on the corner block and tighten it by using the **Allen key** provided. Continue by using the **Flat Washer**, **Lock Washer** and **JCBC Bolt** into pre-drilled holes on the corner block of Fixed Shelf and by using the **Allen key** provided.



STEP 2

Check its balance and tighten all bolts to complete the assembly.



IMPORTANT NOTE :

~ Please keep all hardware out of the reach of children.

CARE INSTRUCTION

~ Be sure to use the same type of polish consistently. Your furniture will appear cloudy or streaky if oil based or wax based polishes are interchanged.
~ Spray your furniture surface evenly. Wipe in a circular motion with a soft clean cloth.