
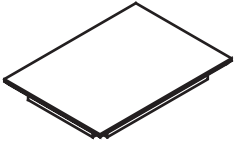
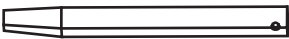

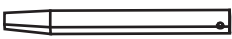




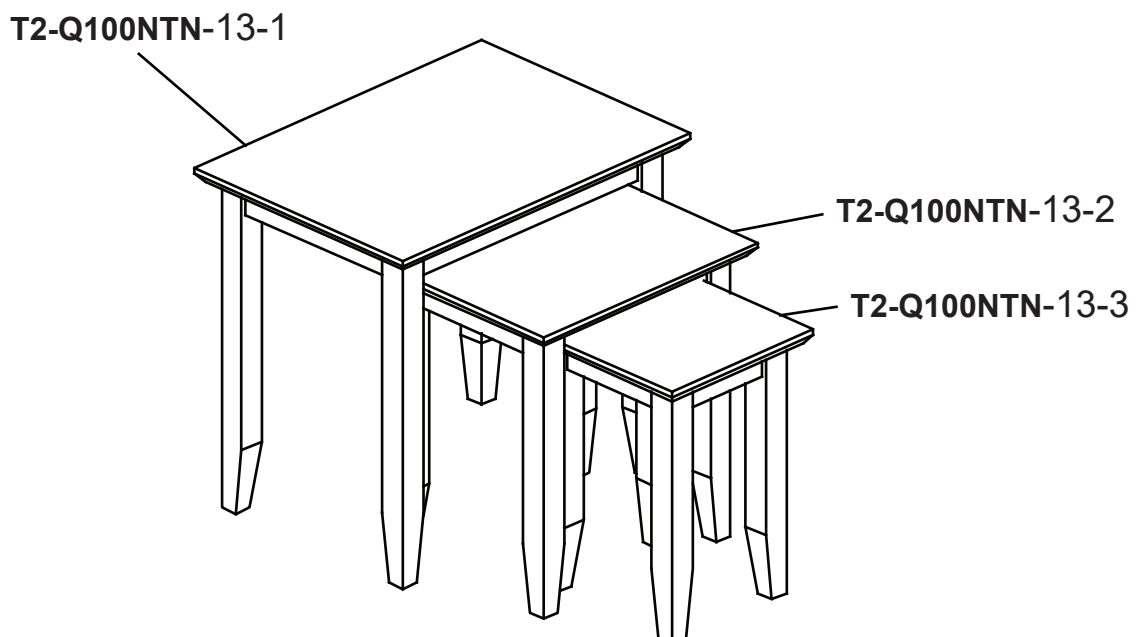
Assembly Instructions

T2-Q100NTN
SOLID R/W NESTING TABLES

PARTS LIST

PART NO	FIGURE	DESCRIPTION	QTY
T2-Q100NTN-01		Hardware Bag	1 pce
T2-Q100NTN-13-1		Table Top	1 pce
T2-Q100NTN-07-1		Legs	4 pcs
T2-Q100NTN-13-2		Table Top	1 pce
T2-Q100NTN-07-2		Legs	4 pcs
T2-Q100NTN-13-3		Table Top	1 pce
T2-Q100NTN-07-3		Legs	4 pcs





IMPORTANT NOTE : Please keep all hardware parts out of the reach of children.



Assembly Instructions

T2-Q100NTN
SOLID R/W NESTING TABLES

HARDWARE PARTS :

			
JCBC Bolt 12 pcs	Lock Washer 12 pcs	Flat Washer 12 pcs	Allen Key 1 pce

ASSEMBLY

STEP 1

Turn the Table Top upside down on a protective surface such as carpet or other soft material.

Insert the leg to corner of apron frame, then tighten with **Flat Washer**, **Lock Washer**, **JCBC Bolt** using the **Allen Key** provided. Repeat the same for the other legs.

STEP 2

Check its balance and tighten all bolts to complete the assembly.

