

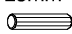


ASSEMBLY INSTRUCTIONS

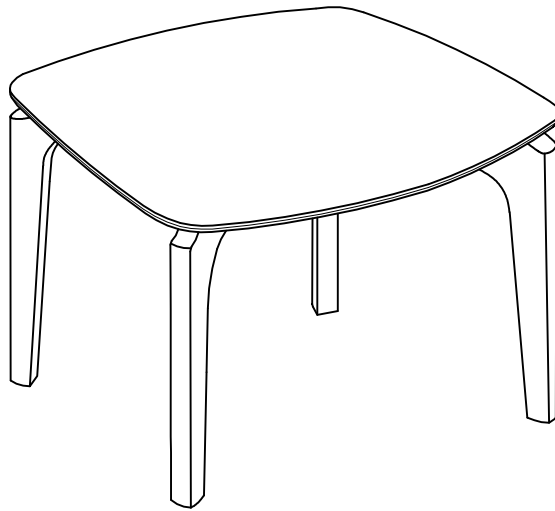
MODEL : T2-RC100E- -O / T2-RC100E- -W

IMPORTANT NOTE :

- * PLACE ALL WOODEN PARTS ON A CLEAN AND SMOOTH SUCH AS A RUG OR CARPET TO AVOID THE PARTS FROM BEING SCRATCHED.
- * BEFORE YOU BEING, KINDLY FOLLOW THE ASSEMBLY INSTRUCTIONS STEP BY STEP.

HARDWARE LIST		
A	JCBC M6 x 60mm + S/W M6 + F/W M6 x 13mm 	8PCS
B	ALLEN KEY M4 (BALL SHAPE) 	1PC
C	WOOD DOWEL M8 x 25mm 	8PCS

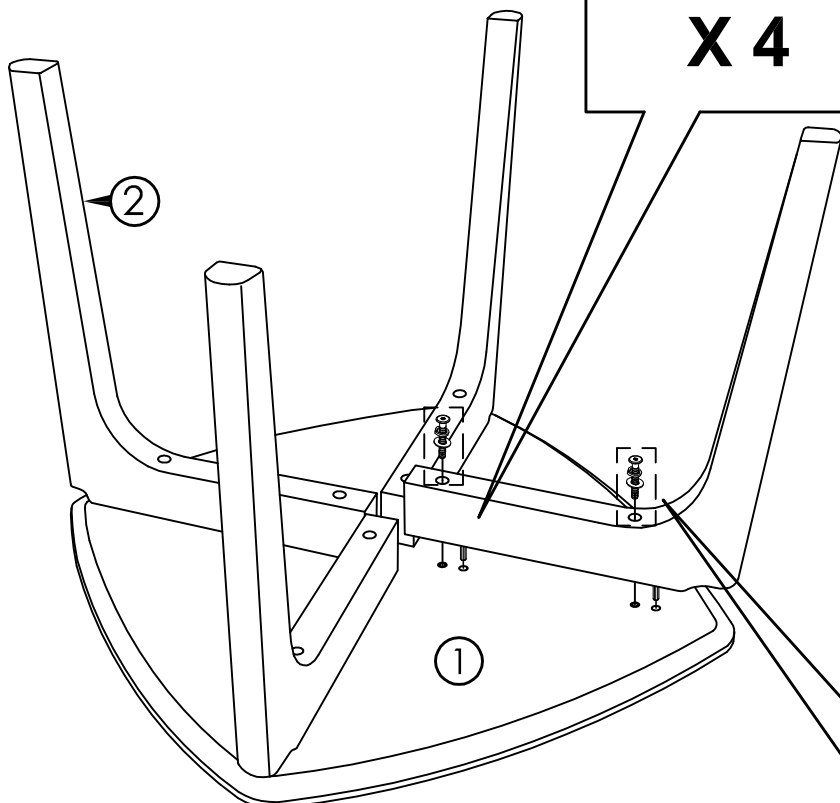
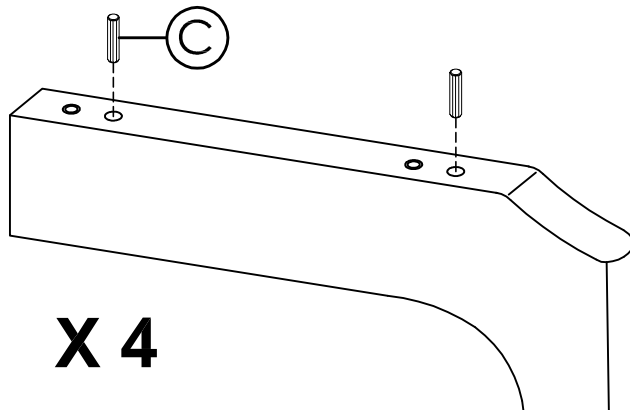
PART LIST		
1	TABLE TOP	1PC
2	TABLE LEG	4PCS



COMPLETED END TABLE ASSEMBLY.

STEP 1

PLEASE ENSURE TO FIX THE WOOD DOWEL TO THE HOLE AS SHOWN IN BELOW



STEP 2

