


ASSEMBLY INSTRUCTION

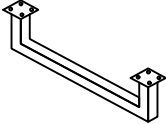
ITEM : SCOTTSDALE 47" COFFEE TABLE

HARDWARE LIST

ITEM	DESCRIPTION	QTY
A	SCREW M4 X 16 mm 	16 pcs

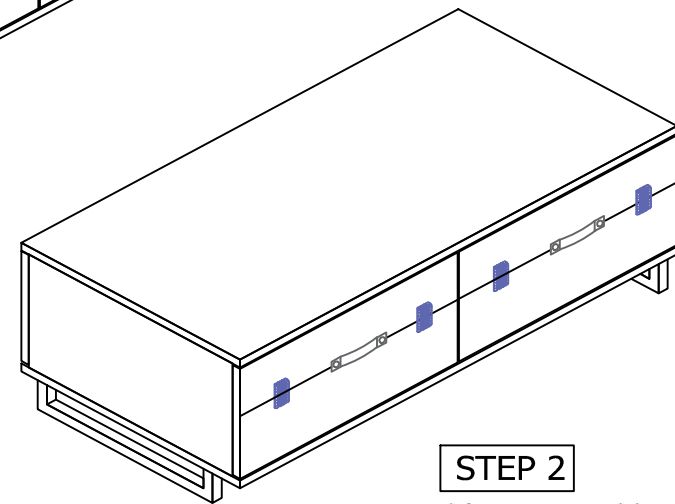
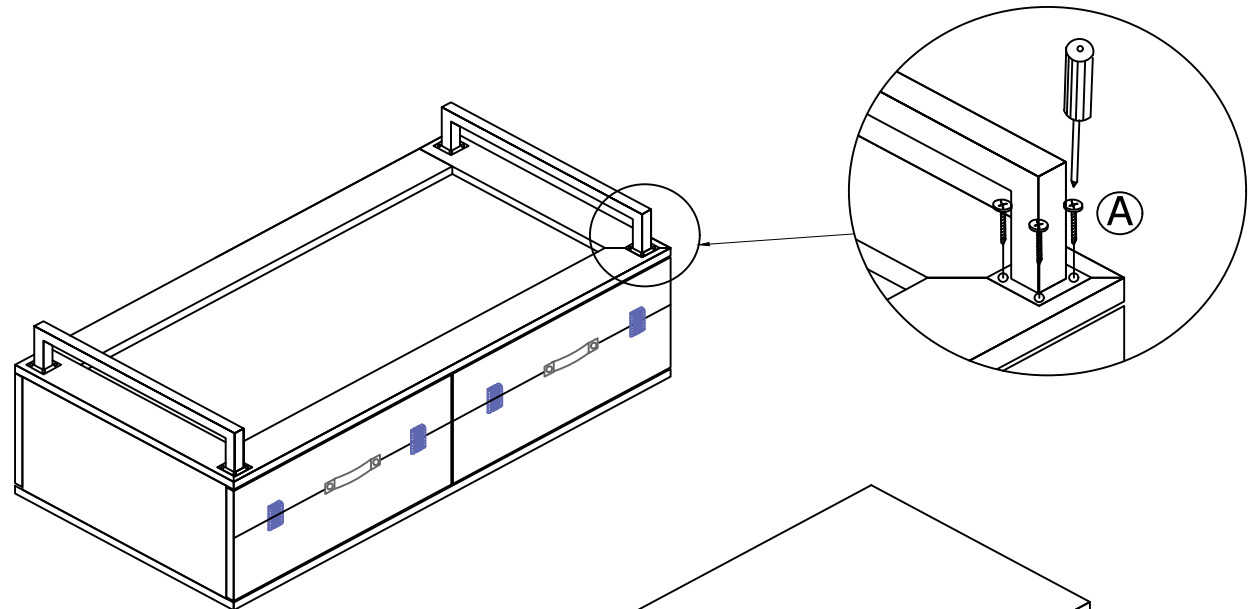
CAUTIONS :
Hardware are to kept out of reach from children.

PART LIST

PART	DESCRIPTION	QTY
LEG		2 pcs

STEP 1

Attach " LEG " to the " BODY " as arrow shown , assembly with hardware " A " by using " screw driver " . (NOT INCLUDE)



STEP 2

COMPLETE ASSEMBLY.

NOTE

- a) BEFORE ASSEMBLY, PLACE ALL TABLE PARTS ON THE CLEAN AND SOFT SURFACE TO PREVENT SCRATCHEDS.
- b) THIS PRODUCT IS HEAVY , FOR SAFETY PURPOSE , KINDLY ADVISE 2 OR MORE PEOPLE TO ASSEMBLY.

MADE IN MALAYSIA