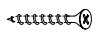



ASSEMBLY INSTRUCTIONS

MODEL : AI-EL155-B-O

IMPORTANT NOTE : * PLACE ALL WOODEN PARTS ON A CLEAN AND SMOOTH SUCH AS A RUG OR CARPET TO AVOID THE PARTS FROM BEING SCRATCHED.

* BEFORE YOU BEING, KINDLY FOLLOW THE ASSEMBLY INSTRUCTIONS STEP BY STEP.

HARDWARE LIST		
A	FH SCREW # 8 x 32mm 	2PCS
B	END DOOR STOPPRER 	8PCS

PART LIST		
1	TV CABINET	1PC
2	CENTER LEG	1PC
3	GLASS	1PC

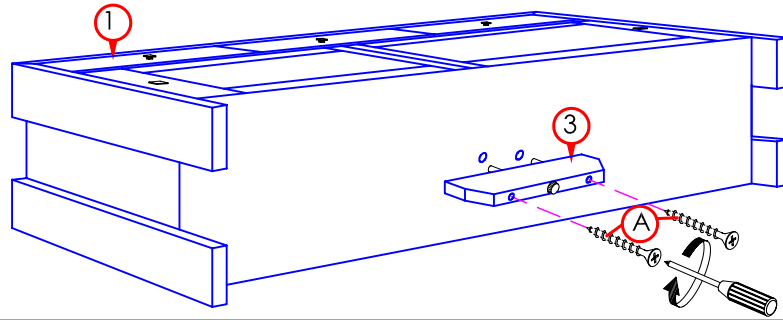
CAUTIONS :

(1) **DO NOT FULLY-TIGHTEN THE NUT OR NUT BOLTS INITIALLY UNTIL ALL NUTS OR BOLT IS READY ASSEMBLED.**

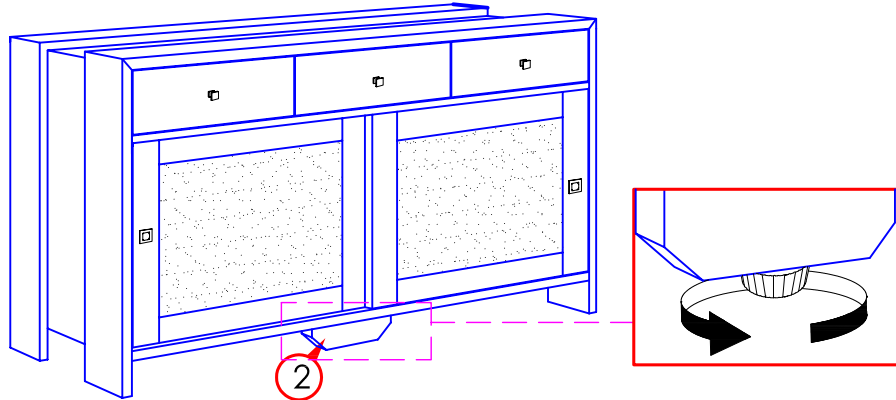
(TO AVOID CAUSING DAMAGES TO THE THREAD, DO NOT OVER-TIGHTEN THE NUTS OR BOLTS.)

(2) **KEEP ALL HARDWARE PART OUT OF REACH OF CHILDREN.**

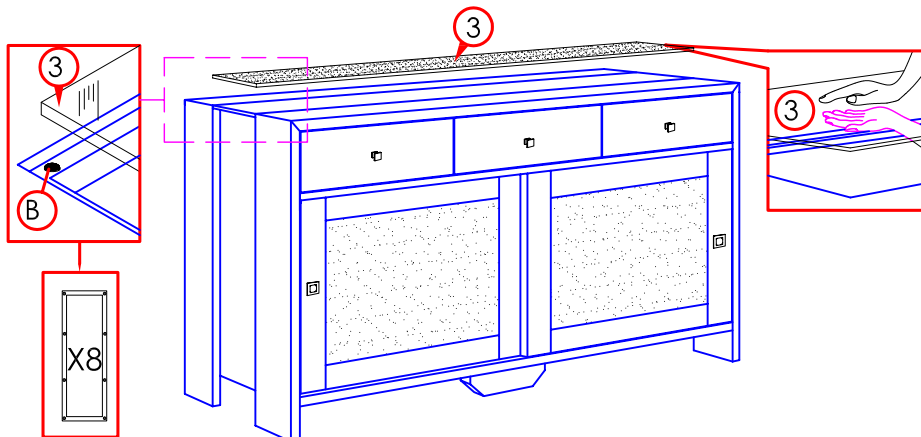
STEP 1



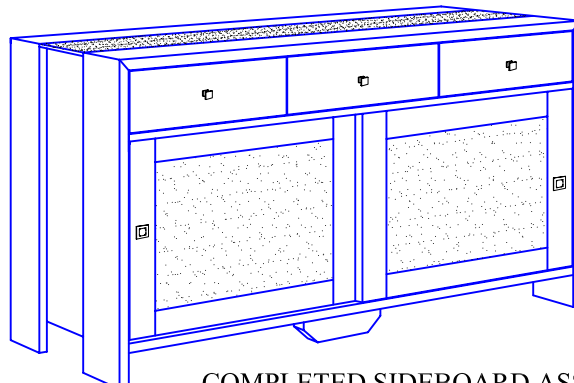
STEP 2



STEP 3



STEP 4



COMPLETED SIDEBOARD ASSEMBLY.