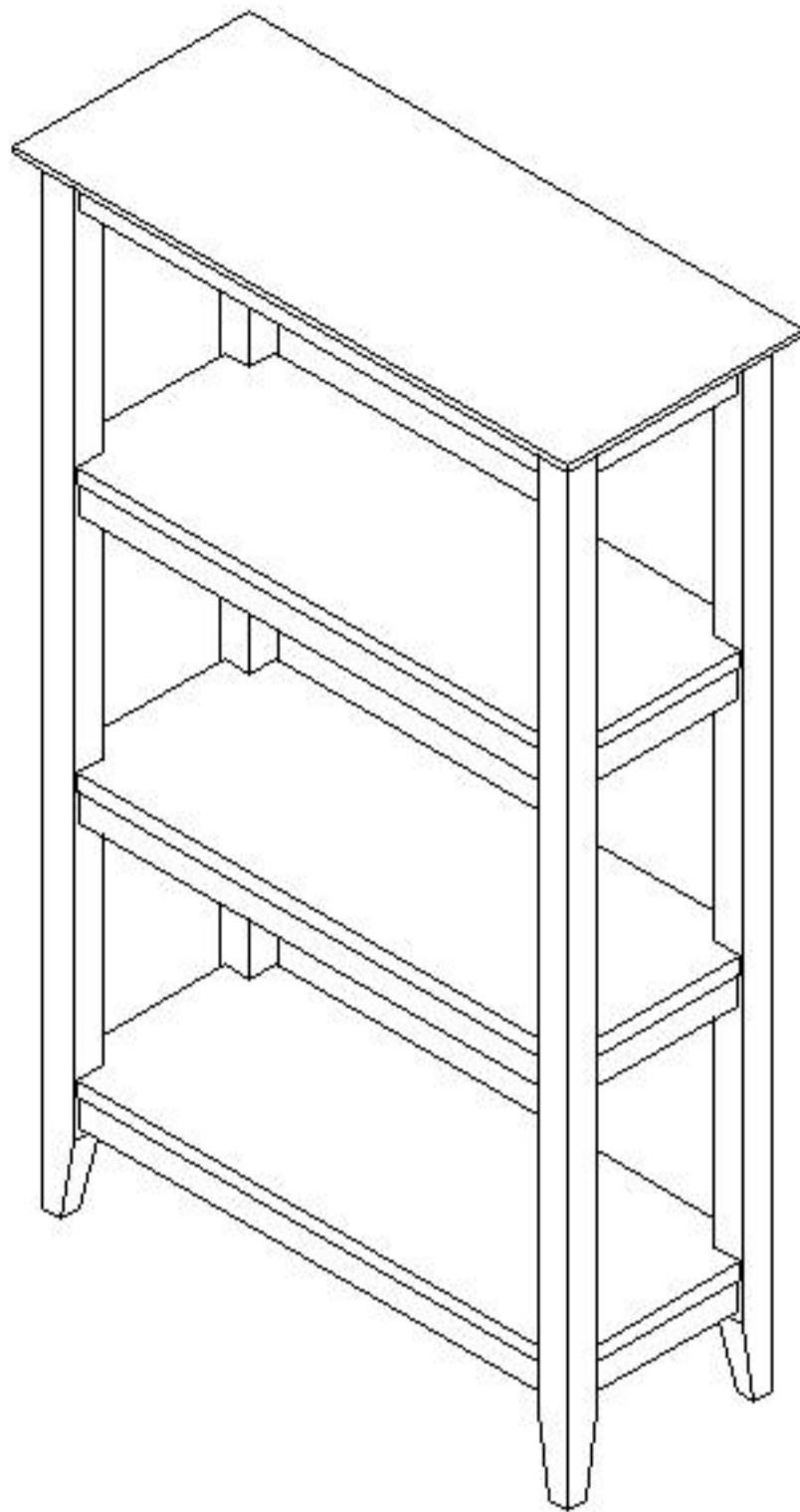


# QUADRA BOOKSHELF

## ASSEMBLY INSTRUCTION

Pg.1/2



Thank you for purchasing this quality product. Be sure to check all packing material carefully for small parts that may come loose inside the carton box during shipment.

### IMPORTANT

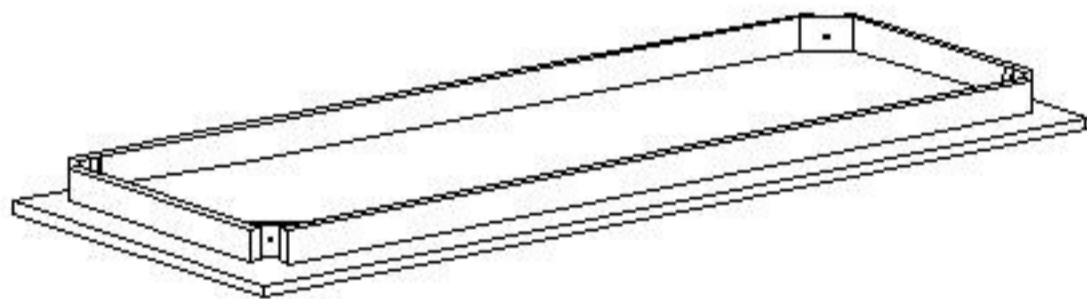
Please go through this assembly instruction before starting assembly. Kindly follow the sequence listed to assure fast, easy and correct assembly.

### CARE & MAINTENANCE

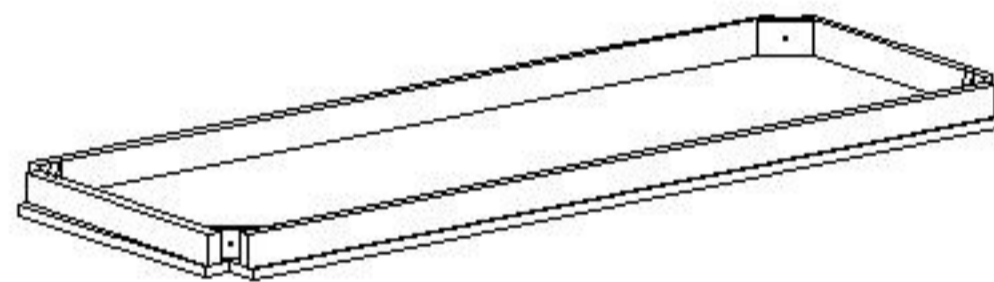
Wipe clean with soft cloth and furniture polish.

**MADE IN MALAYSIA**

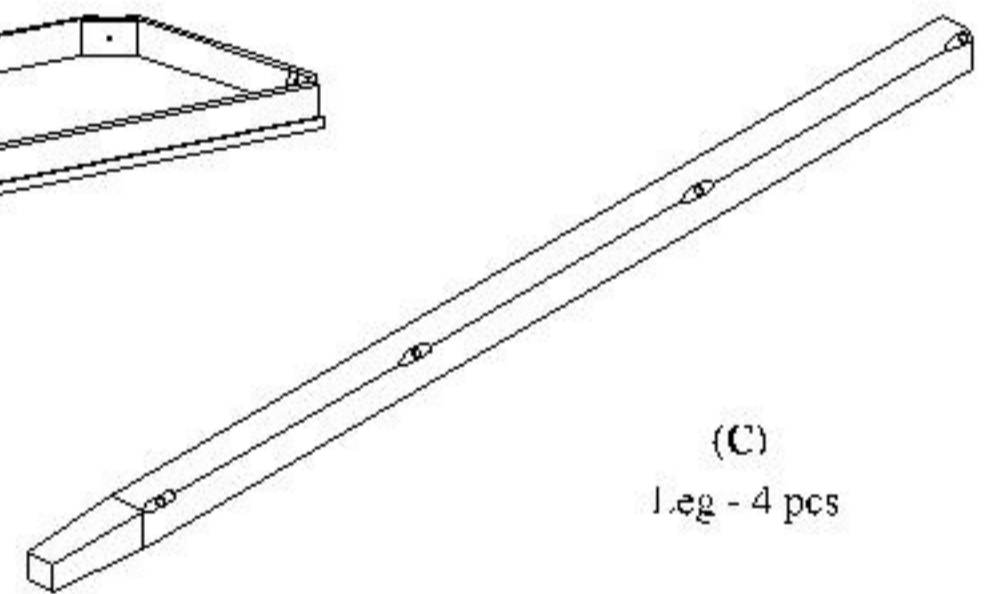
### PARTS LIST



(A)  
Table Top - 1 pc



(B)  
Fixed Shelf - 3 pcs



(C)  
Leg - 4 pcs

### HARDWARE LIST



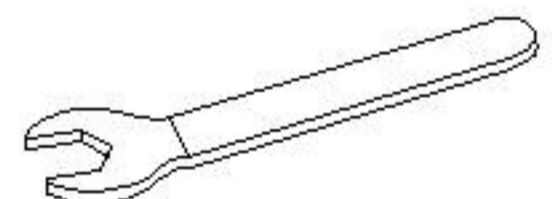
(1) M6x60mm  
Hexagon Bolt - 16 pcs



(2) M6 Spring  
Washer - 16 pcs



(3) M6x16mm Flat  
Washer - 16 pcs



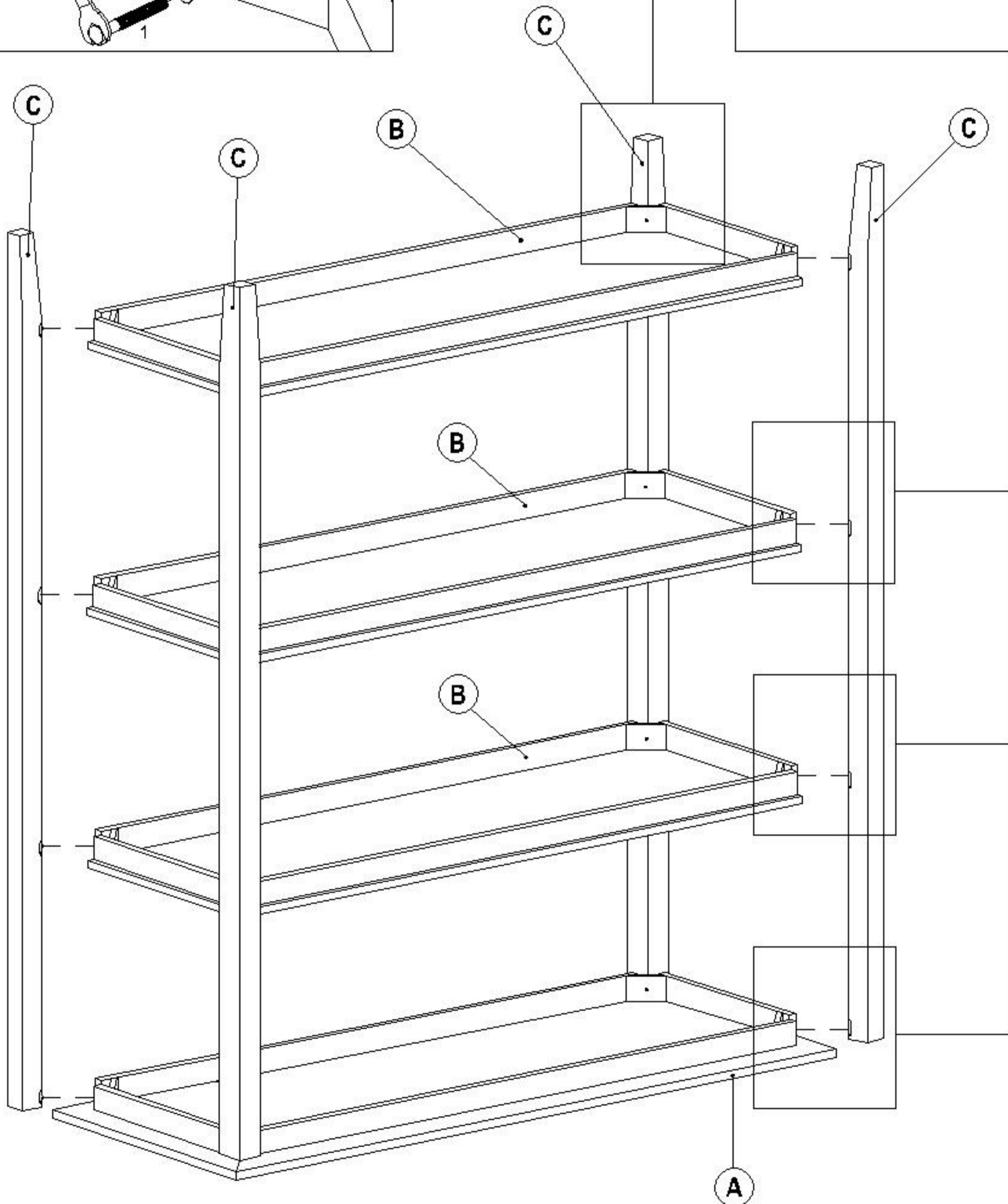
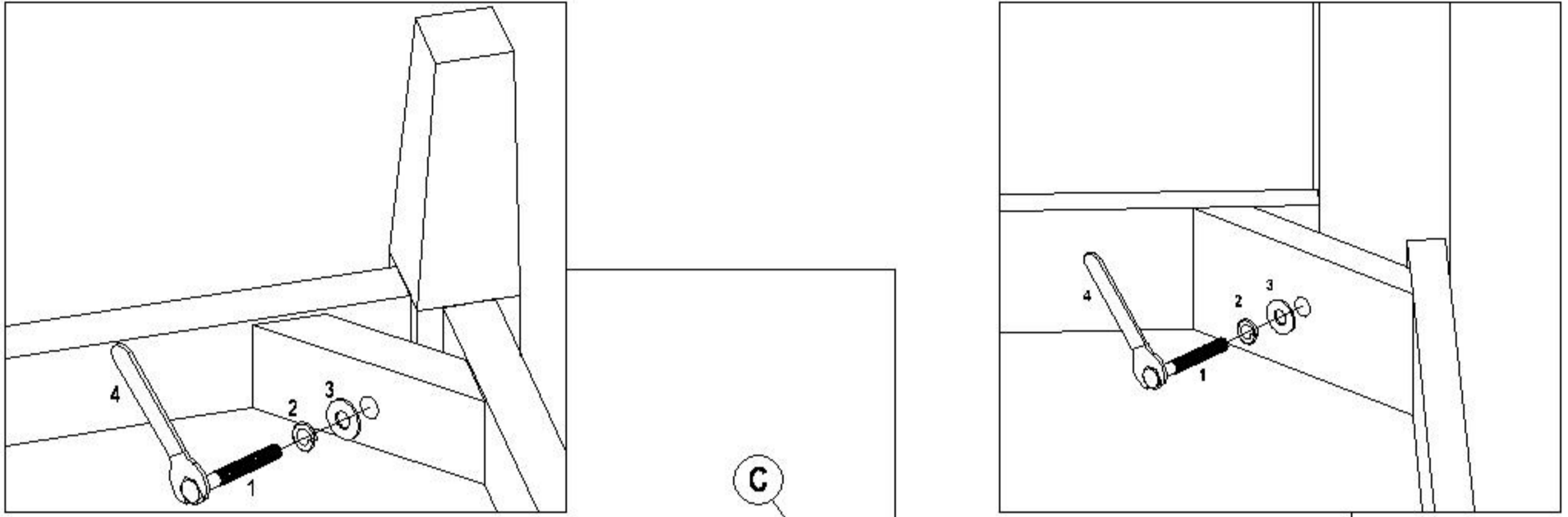
(4) 10mm Wrench - 1 pc

Note: EXTRA hardware are included

# QUADRA BOOKSHELF

## ASSEMBLY INSTRUCTION

Pg.2/2



# 1

- (i) Carefully place the **TABLE TOP (A)** on a flat safe surface.  
**NOTE :** Please find a suitable surface to avoid damaging the parts.
- (ii) Attach **LEG (C)** to the **TABLE TOP (A) & FIXED SHELF ( B )** using Hexagon Bolts (1) together with Spring Washer (2) & Flat Washer (3).
- (iii) Fully tighten Hexagon Bolts (1) with 10mm Wrench (4).