

Thank you for purchasing this quality product. Be sure to check all packing material carefully for small parts that may come loose inside the carton box during shipment.

IMPORTANT

Please go through this assembly instruction before starting assembly. Kindly follow the sequence listed to assure fast, easy and correct assembly. It is recommended to have 2 adults available to build this unit.

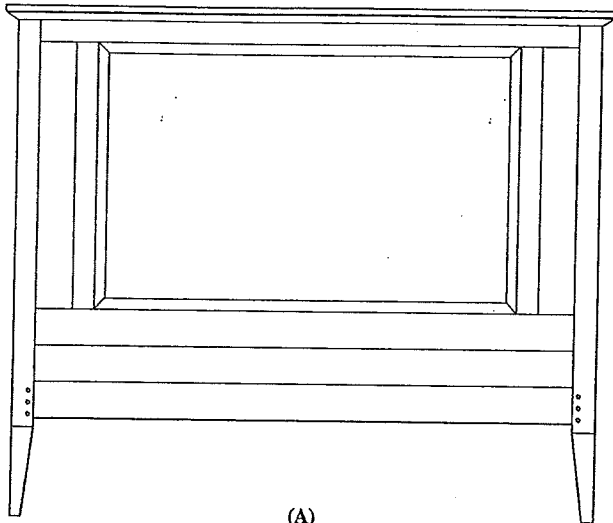
TOOLS REQUIRED

A standard Philips Head Screwdriver, a 4mm Hex Wrench and a Rubber Mallet (to tap in wooden dowels) are required.

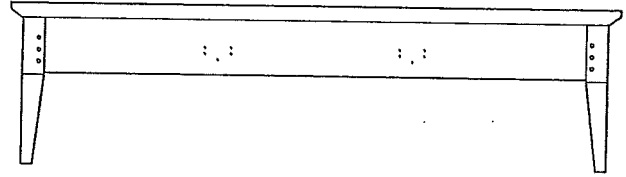
CARE & MAINTENANCE

Wipe clean with soft cloth and furniture polish.

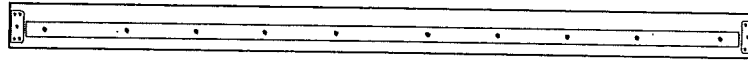
PARTS LIST



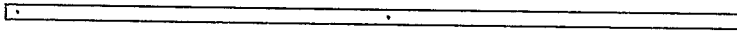
(A)
Headboard - 1 pc



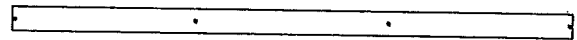
(B)
Footboard - 1 pc



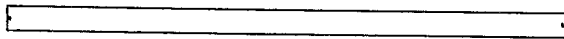
(C)
Side Rail - 2 pcs



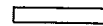
(D)
Center Rail - 2 pcs



(E)
Slat Rail (Bolt Hole) - 2 pcs



(F)
Slat Rail - 12 pcs



(G)
Support Leg - 4 pcs

HARDWARE LIST



(1) M3.5x20mm Chipboard
Screw - 10 pcs



(2) M4x30mm Chipboard
Screw - 28 pcs



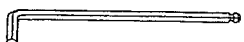
(3) M6x70mm JCBB
Screw - 4 pcs



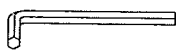
(4) M8x25mm JCBB
Screw - 12 pcs



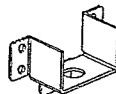
(5) 5/16" Spring
Washer - 12 pcs



(6) 4mm Hex Wrench
(Ball Shape) - 1 pc



(7) 5mm Hex Wrench - 1 pc

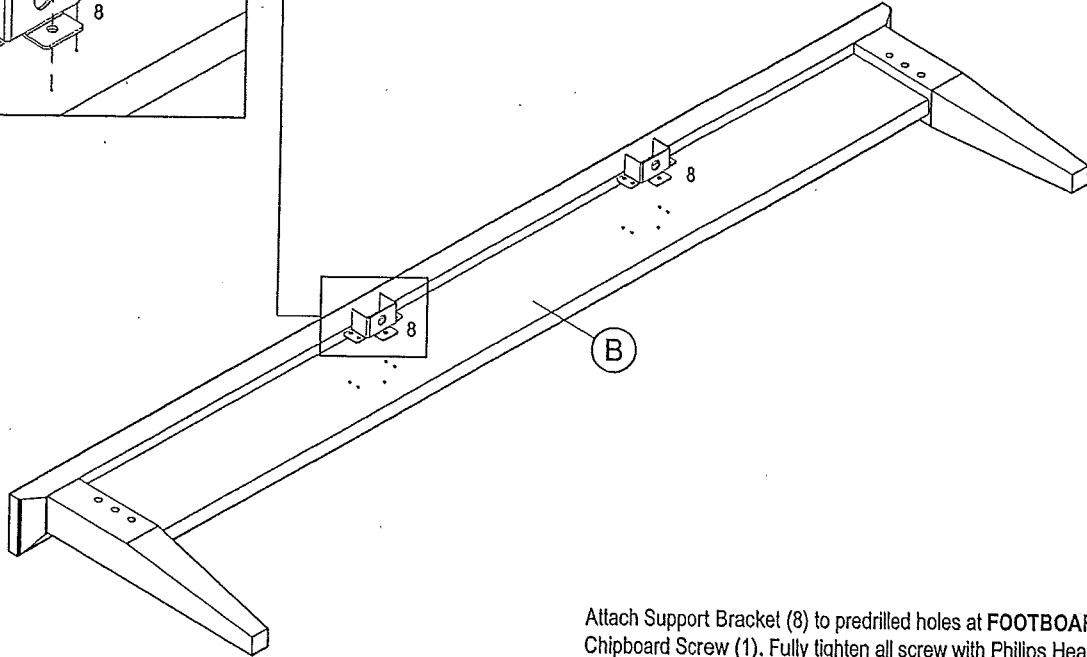
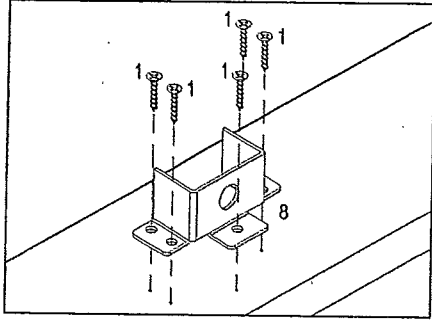


(8) Support Bracket - 2 pcs



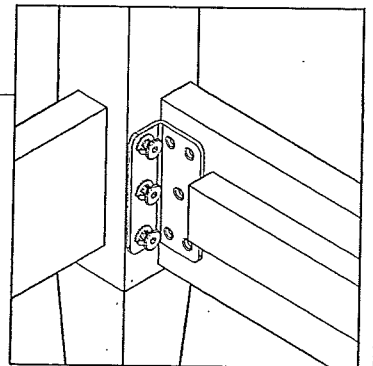
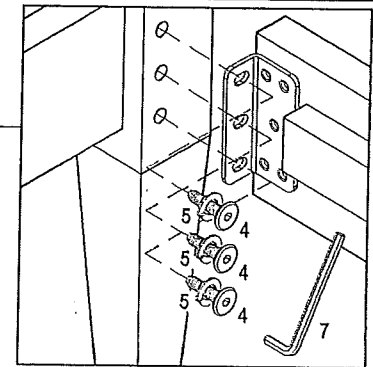
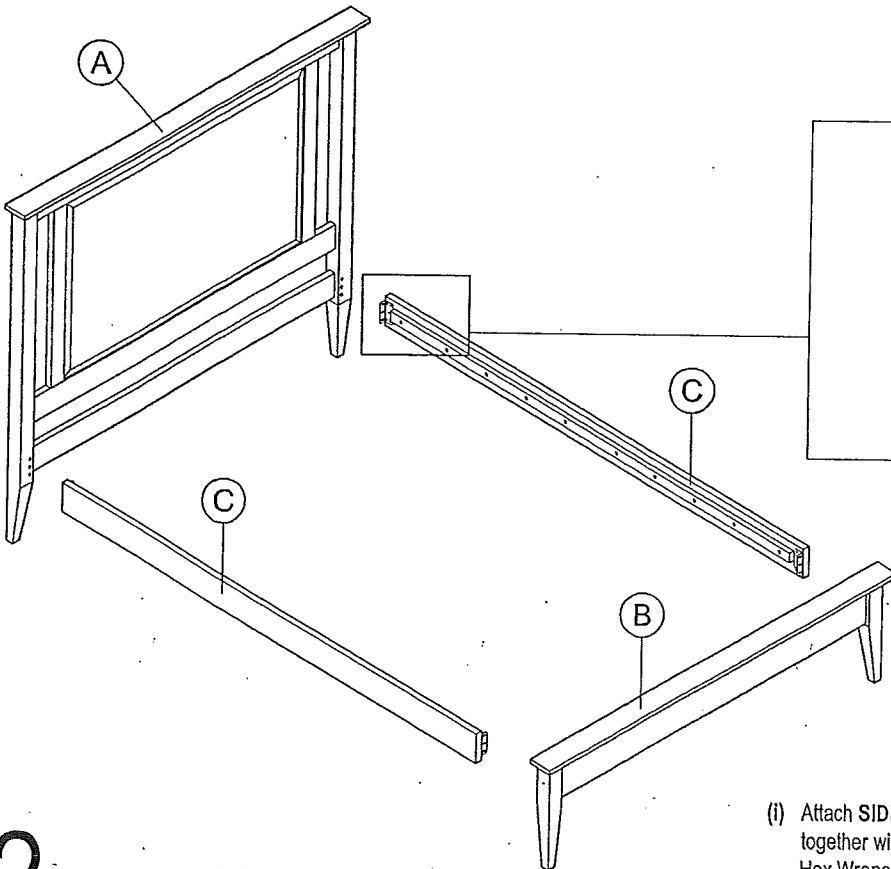
(9) Leg Glide - 4 pcs

Note: EXTRA hardware are included



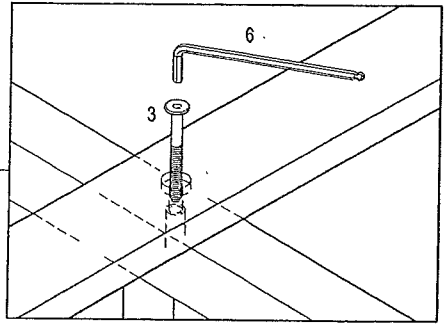
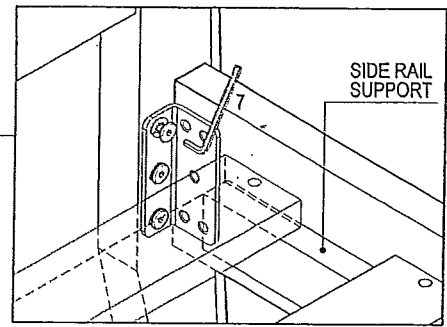
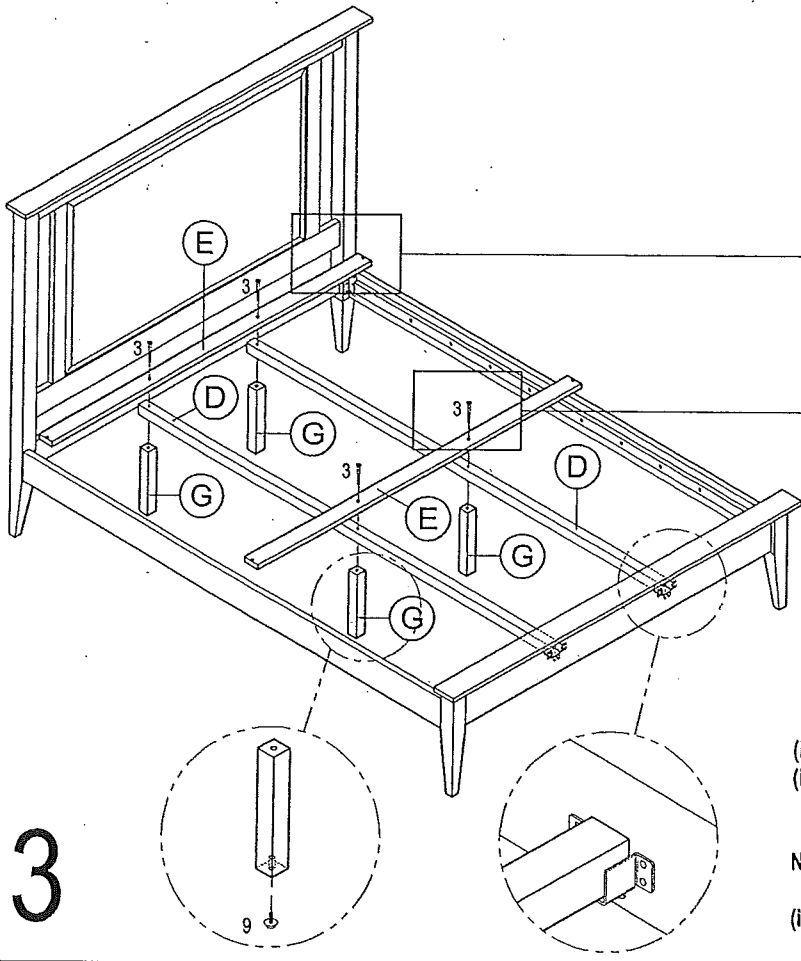
1

Attach Support Bracket (8) to predrilled holes at FOOTBOARD (B) using Chipboard Screw (1). Fully tighten all screw with Phillips Head Screwdriver.



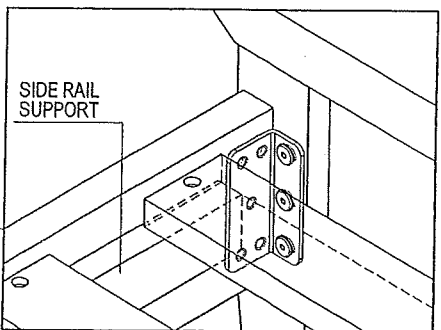
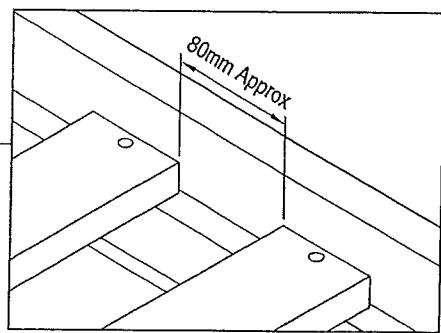
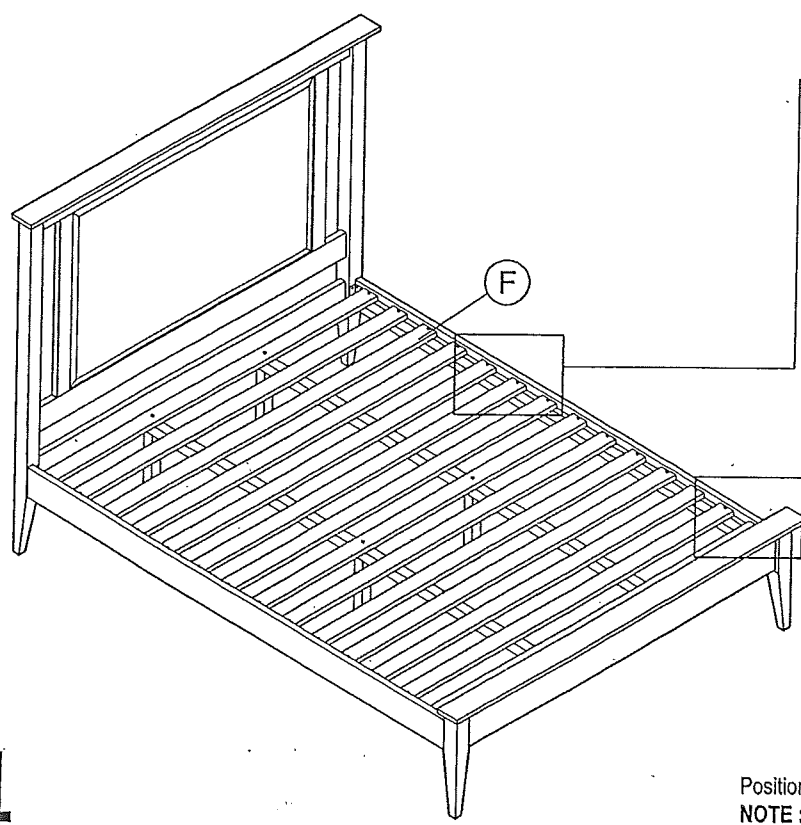
2

- (i) Attach SIDE RAIL (C) to HEADBOARD (A) using JCB Screw (4) together with Spring Washer (5), semi tighten the screw with 5mm Hex Wrench (7).
- (ii) Attach SIDE RAIL (C) to FOOTBOARD (B) using JCB Screw (4) together with Spring Washer (5), semi tighten the screw with 5mm Hex Wrench (7).



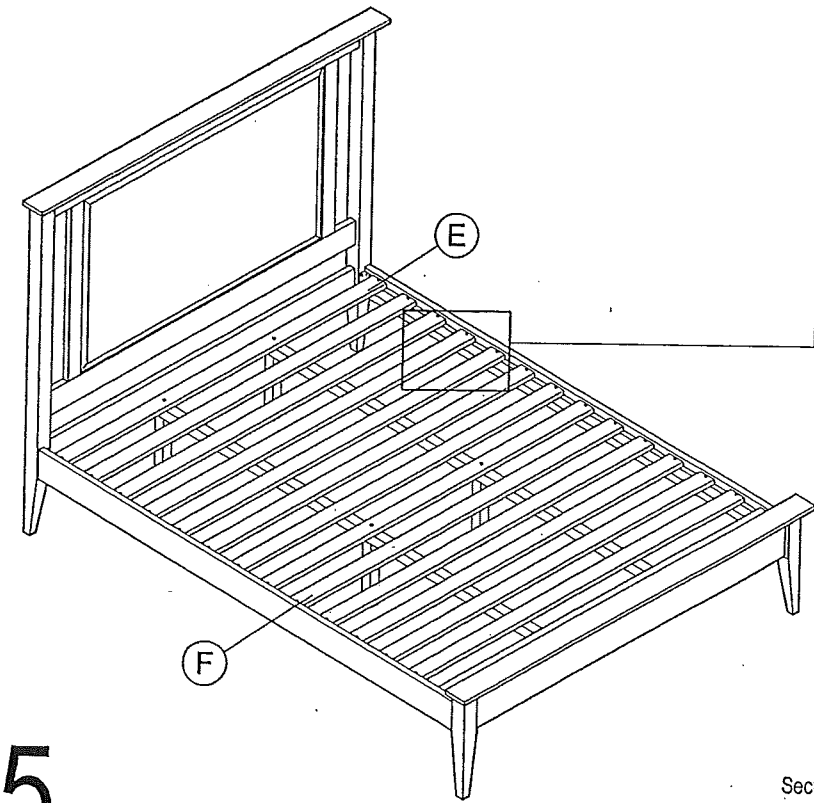
3

- (i) Attach Leg Glide (9) to SUPPORT LEG (G).
- (ii) Assemble CENTER RAIL (D), SLAT RAIL - BOLT HOLE (E) & SUPPORT LEG (G) together with JCBB Screw (3), fully tighten the screw using 4mm Hex Wrench (6).
- NOTE :** To ensure correct assembly, the SLAT RAIL - BOLT HOLE (E) must be aligned at the edge of SIDE RAIL SUPPORT.
- (iii) Fully tighten all JCBB Screw (4) on SIDE RAIL (C) using 5mm Hex Wrench (7).



4

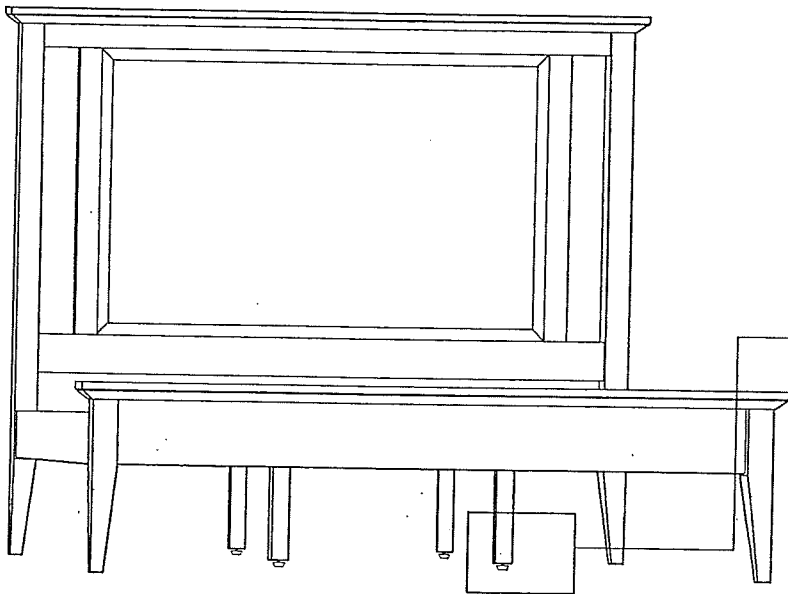
- Position SLAT RAIL (F) in approximately 80mm gap from each other.
- NOTE :** To ensure correct assembly, the SLAT RAIL (F) placed nearest to the FOOTBOARD (B) must be aligned at the edge of SIDE RAIL SUPPORT.



5

Secure SLAT RAILS (E,F) with Chipboard Screw (2). Fully tighten all screw with Philips Head Screwdriver.

NOTE : There is no predrilled holes provided at the SIDE RAIL SUPPORT.



6

For maximum support adjust Leg Glide (9) to level with floor.