

**BAYVIEW 6-DRAWER DRESSER**  
**ASSEMBLY INSTRUCTION**

Pg.1/6

**For Reference Only:**

Dresser is fully assembled at our warehouse before delivery



Thank you for purchasing this quality product. Be sure to check all packing material carefully for small parts that may come loose inside the carton box during shipment.

**IMPORTANT**

Please go through this assembly instruction before starting. Kindly follow the sequence listed to assure fast, easy and correct assembly. It is recommended to have 2 adults available to build this unit.

**TOOLS REQUIRED**

A standard Philips Head Screwdriver, a 4mm Hex Wrench and a Rubber Mallet (to tap in wooden dowels) are required.

**CARE & MAINTENANCE**

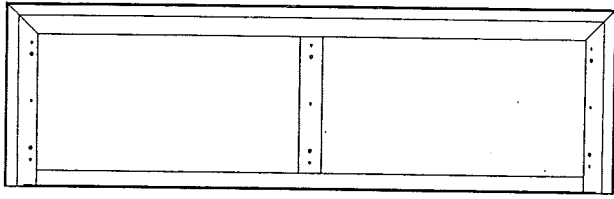
Wipe clean with soft cloth and furniture polish.

MADE IN MALAYSIA

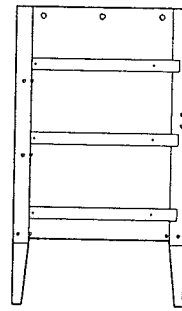
# BAYVIEW 6-DRAWER DRESSER

## ASSEMBLY INSTRUCTION

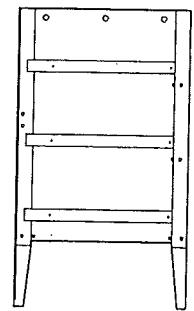
### PARTS LIST



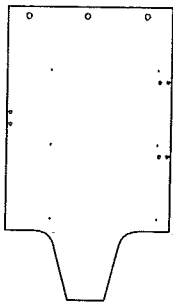
(A)  
Top Panel - 1 pc



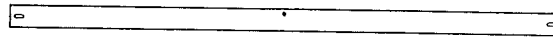
(B)  
Side Panel (Left) - 1 pc



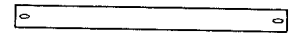
(C)  
Side Panel (Right) - 1 pc



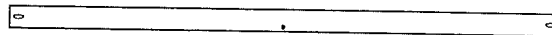
(D)  
Division - 1 pc



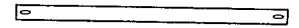
(E)  
Bottom Rail (Front) - 1 pc



(G)  
Back Rail - 2 pcs



(F)  
Bottom Rail (Back) - 1 pc



(H)  
Drawer Rail - 4 pcs



(I)  
Drawer Front - 6 pcs



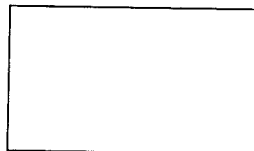
(J)  
Int. Drawer Side (Left) - 6 pcs



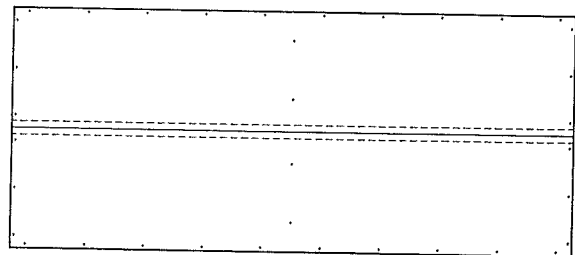
(K)  
Int. Drawer Side (Right) - 6 pcs



(L)  
Int. Drawer Back - 6 pcs



(M)  
Drawer Bottom - 6 pcs



(N)  
Back Panel - 1 pc

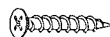
### HARDWARE LIST



(1) Wooden Dowel - 90 pcs



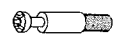
(2) M3.5x16mm Chipboard Screw - 48 pcs



(3) M4x30mm Chipboard Screw - 18 pcs



(4) M3.5x12mm Pan Head Chipboard Screw - 36 pcs



(5) Camlock Screw - 57 pcs



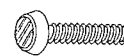
(6) Camlock & Cap - 57 sets



(7) M4x28mm Trust Head Screw - 12 pcs



(8) Handle - 12 pcs



(9) Leg Glide - 1 pc

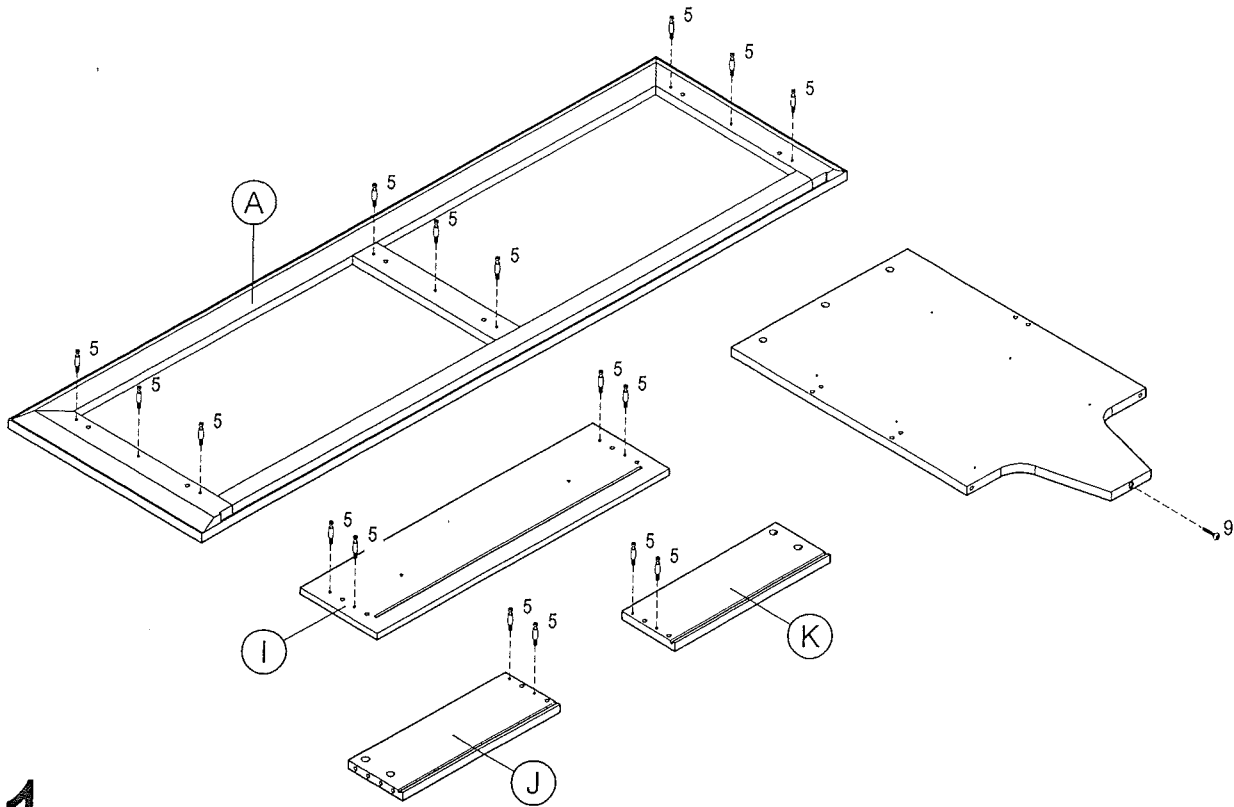


(10) 16" Ext. Drawer Slide - 6 sets

Note: EXTRA hardware are included

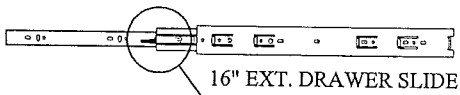
# BAYVIEW 6-DRAWER DRESSER

## ASSEMBLY INSTRUCTION



1

- (i) Insert Camlock Screw (5) into holes on TOP PANEL (A), DRAWER FRONT (I) & INT. DRAWER SIDES (J,K). Fully tighten Camlock Screw (5) using Philips Head Screwdriver.
- (ii) Insert Leg Glide (9) into holes on DIVISION (D).



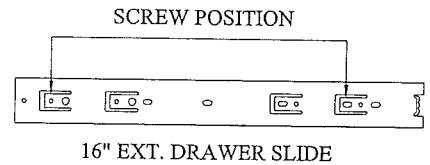
16" EXT. DRAWER SLIDE

Fully Pull

Press & pull to disengage

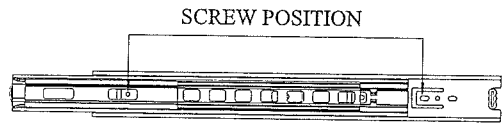
2

Disengage 16" Ext. Drawer Slide (10) by operating the release lever in the drawer slide.

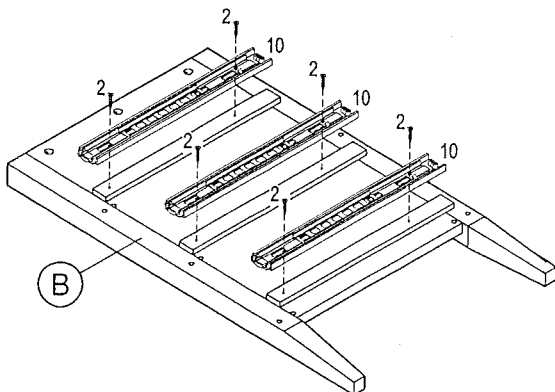


SCREW POSITION

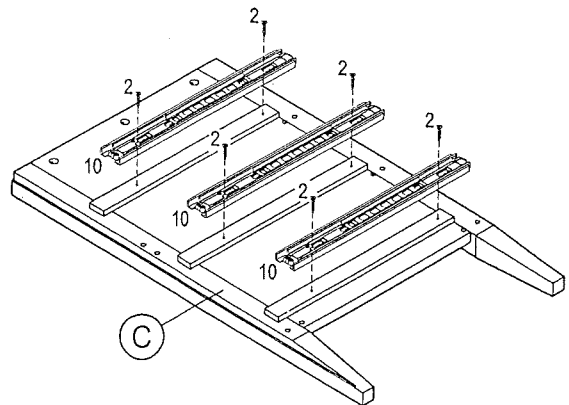
16" EXT. DRAWER SLIDE



SCREW POSITION



(B)



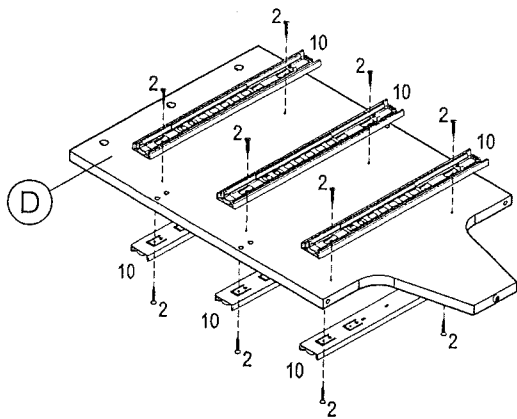
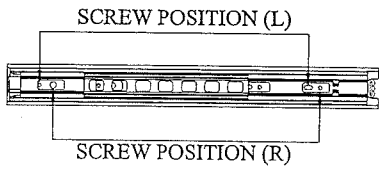
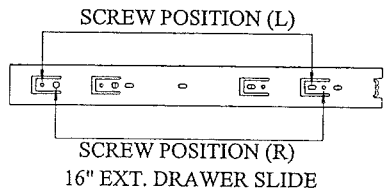
(C)

3

- (i) Attach 16" Ext. Drawer Slide (10) to predrilled holes at SIDE PANELS (B,C) using Chipboard Screw (2).
  - (ii) Fully tighten the screw with Philips Head Screwdriver.
- NOTE : Please move internal slide to find the correct hole position.

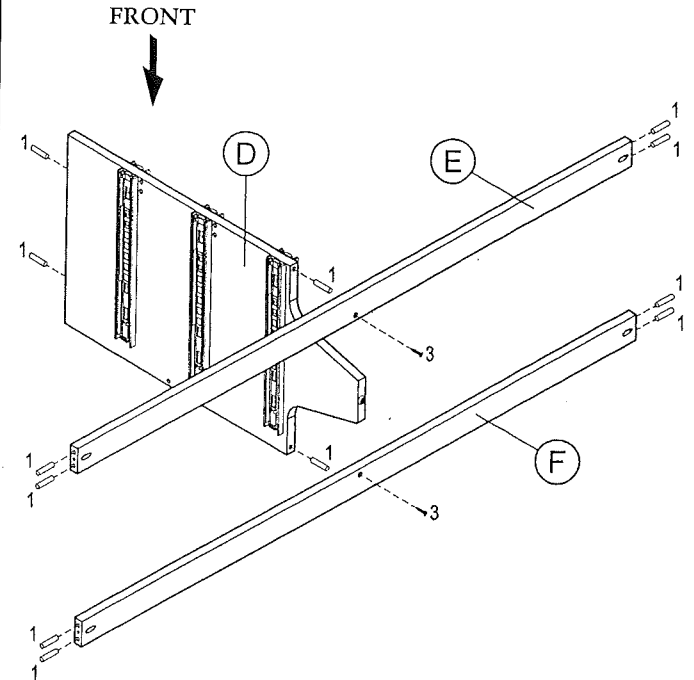
# BAYVIEW 6-DRAWER DRESSER

## ASSEMBLY INSTRUCTION



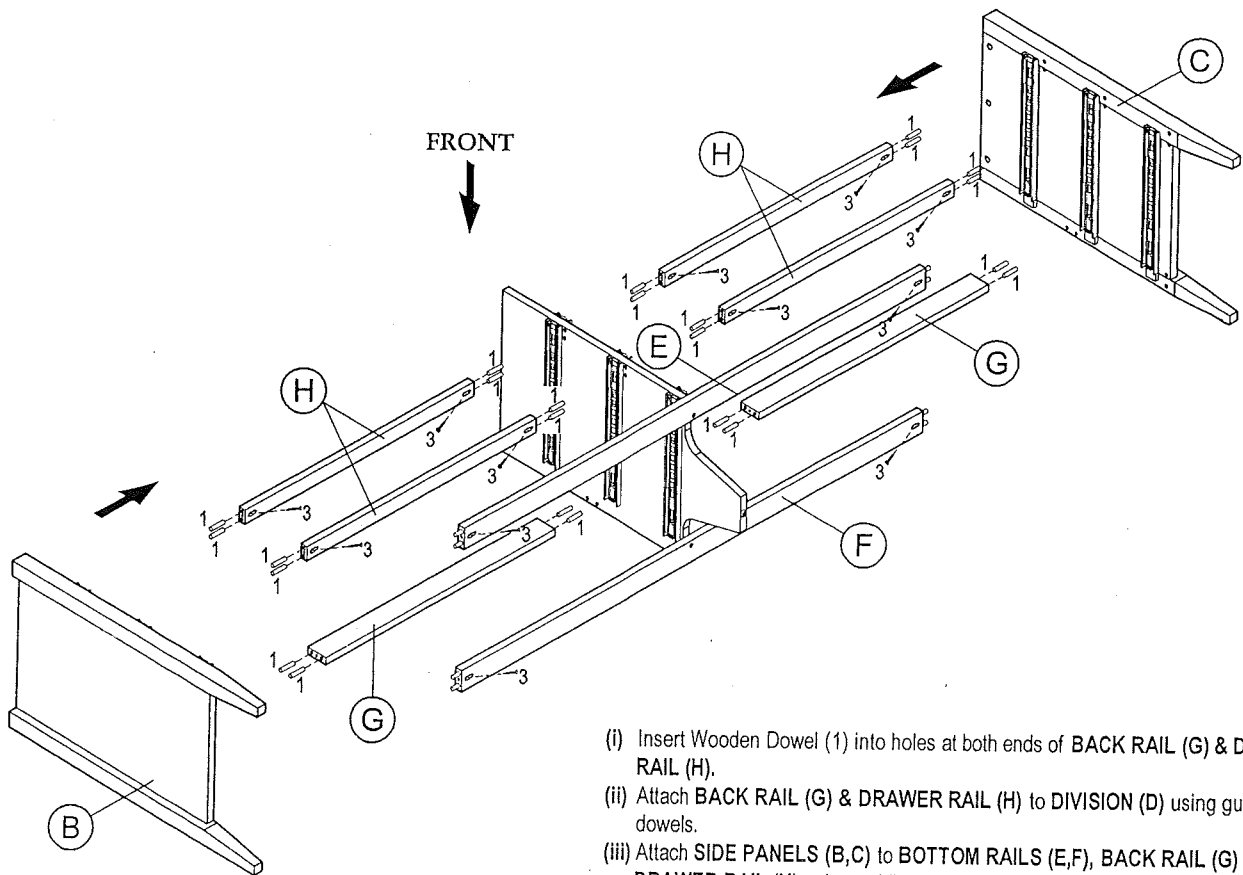
4

Attach 16" Ext. Drawer Slide (10) to predrilled holes at both sides of DIVISION (D) using Chipboard Screw (2). Fully tighten the screw with Philips Head Screwdriver.



5

- (i) Insert Wooden Dowel (1) into holes at both ends of DIVISION (D) & BOTTOM RAILS (E,F).
  - (ii) Attach BOTTOM RAILS (E,F) to DIVISION (D) using guiding dowels.
  - (iii) Tighten Chipboard Screw (3) to BOTTOM RAILS (E,F).
- NOTE : Please ensure the finished of the RAILS is facing FRONT



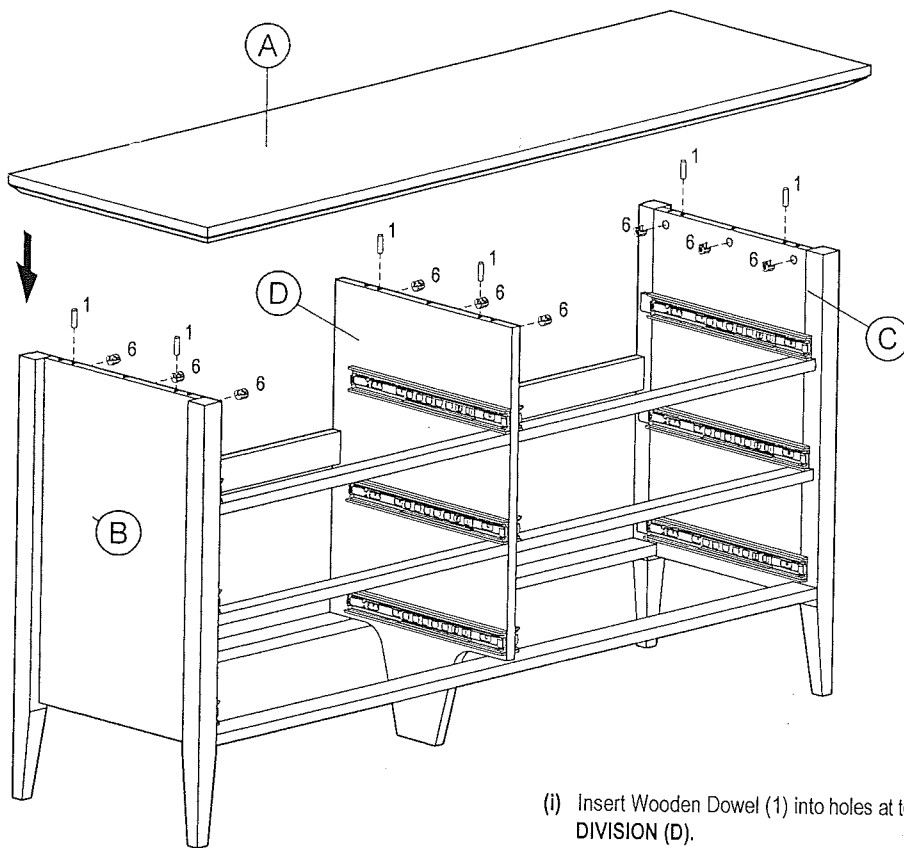
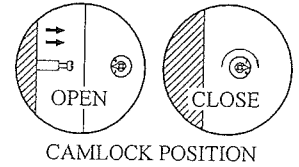
6

- (i) Insert Wooden Dowel (1) into holes at both ends of BACK RAIL (G) & DRAWER RAIL (H).
  - (ii) Attach BACK RAIL (G) & DRAWER RAIL (H) to DIVISION (D) using guiding dowels.
  - (iii) Attach SIDE PANELS (B,C) to BOTTOM RAILS (E,F), BACK RAIL (G) & DRAWER RAIL (H) using guiding dowels.
- NOTE : Please ensure the finished of the RAILS is facing FRONT
- (iv) Tighten Chipboard Screw (3) to BOTTOM RAILS (E,F) & DRAWER RAIL (H).

# BAYVIEW 6-DRAWER DRESSER

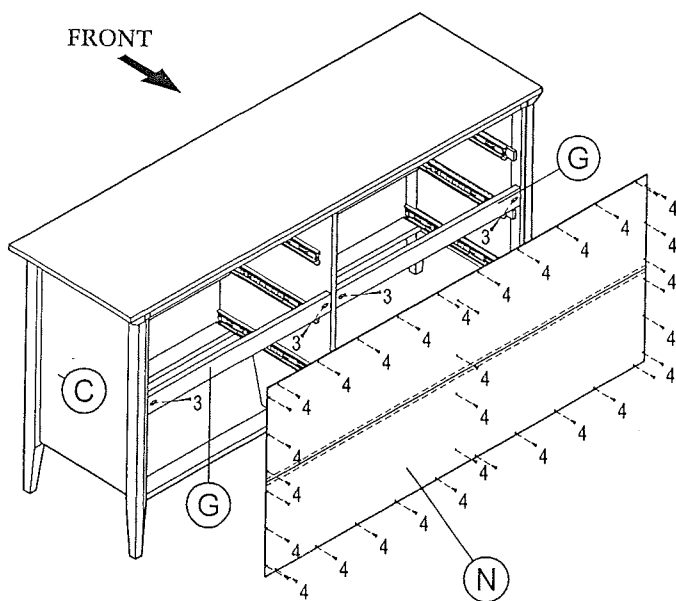
## ASSEMBLY INSTRUCTION

Pg.5/6



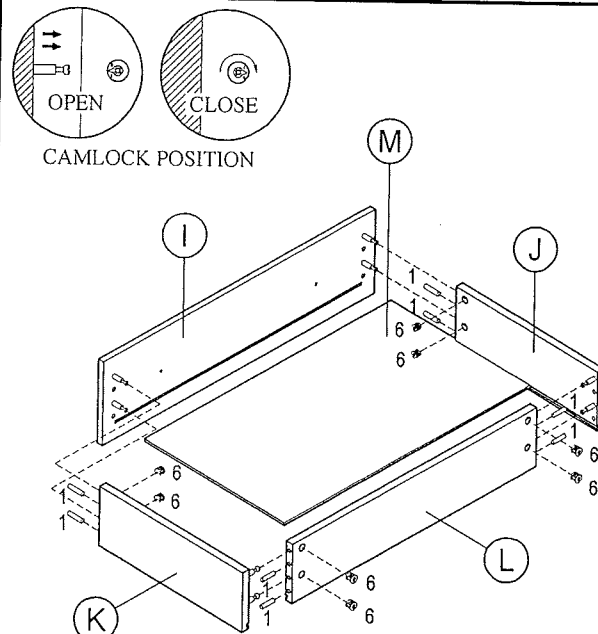
7

- (i) Insert Wooden Dowel (1) into holes at top of **SIDE PANELS (B,C) & DIVISION (D)**.
- (ii) Insert Camlock (6) in open position to **SIDE PANELS (B,C) & DIVISION (E)**.
- (iii) Attach **TOP PANEL (A)** to **SIDE PANELS (B,C) & DIVISION (E)**. Tighten Camlock (6) to close position using 4mm Hex Wrench.



8

- (i) Tighten Chipboard Screw (3) to **BACK RAIL (G)**.
- (ii) Attach **BACK PANEL (N)** using Pan Head Chipboard Screw (4) with Philips Head Screwdriver.



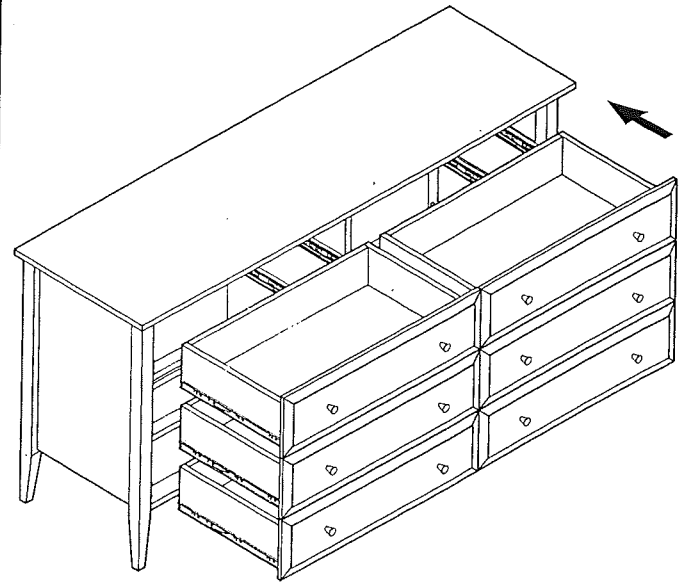
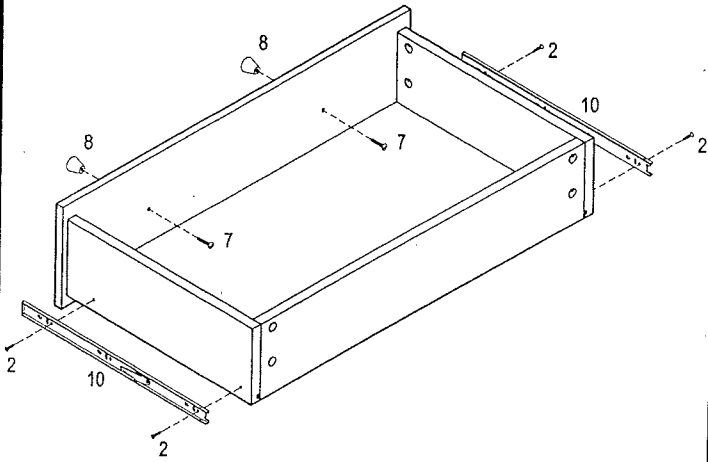
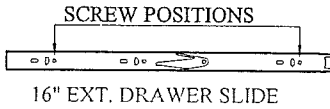
9

- (i) Insert Wooden Dowel (1) into holes at both ends of **INT. DRAWER SIDES (J,K) & INT. DRAWER BACK (L)**.
- (ii) Insert Camlock (6) in open position to **INT. DRAWER SIDES (J,K) & INT. DRAWER BACK (L)**.
- (iii) Attach **INT. DRAWER SIDES (J,K) & INT. DRAWER BACK (L)** using guiding dowels.
- (iv) Insert **DRAWER BOTTOM (M)** into slot.
- (v) Attach **DRAWER FRONT (I)** to drawer half (J,K,L,M), tighten all Camlock (6) to close position using 4mm Hex Wrench.

# BAYVIEW 6-DRAWER DRESSER

## ASSEMBLY INSTRUCTION

Pg.6/6

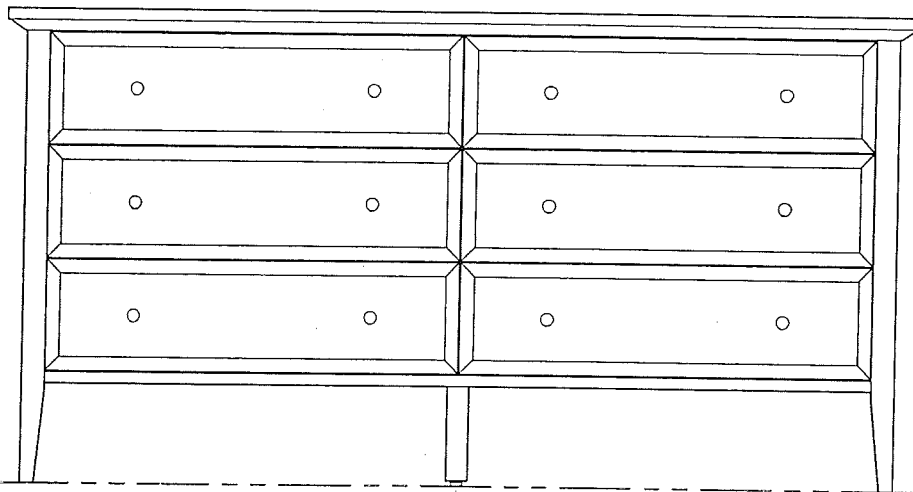


# 10

- (i) Attach 16" Ext. Drawer Slide (10) to the side of INT. DRAWER SIDES (J,K) with Chipboard Screw (2) & Philips Head Screwdriver.
- (ii) Install Handle (8) & Trust Head Screw (7) with Philips Head Screwdriver.

# 11

Insert Drawer to the unit.



FLOOR LEVEL



# 12

Adjust Leg Glide (9) to level with Floor.