

ASSEMBLY INSTRUCTION

ITEM : BR-DV1001K-X

HARDWARE LIST

ITEM	DESCRIPTION	QTY
A	JCB8 SCREW M 6 x 60	6 pcs
B	FLAT WASHER	6 pcs
C	SPRING WASHER	6 pcs
D	ALLEN KEY M 4	1 pc
E	SCREW M4 X 30 mm.	24 pcs
F	ALLEN KEY M 5	1 pc

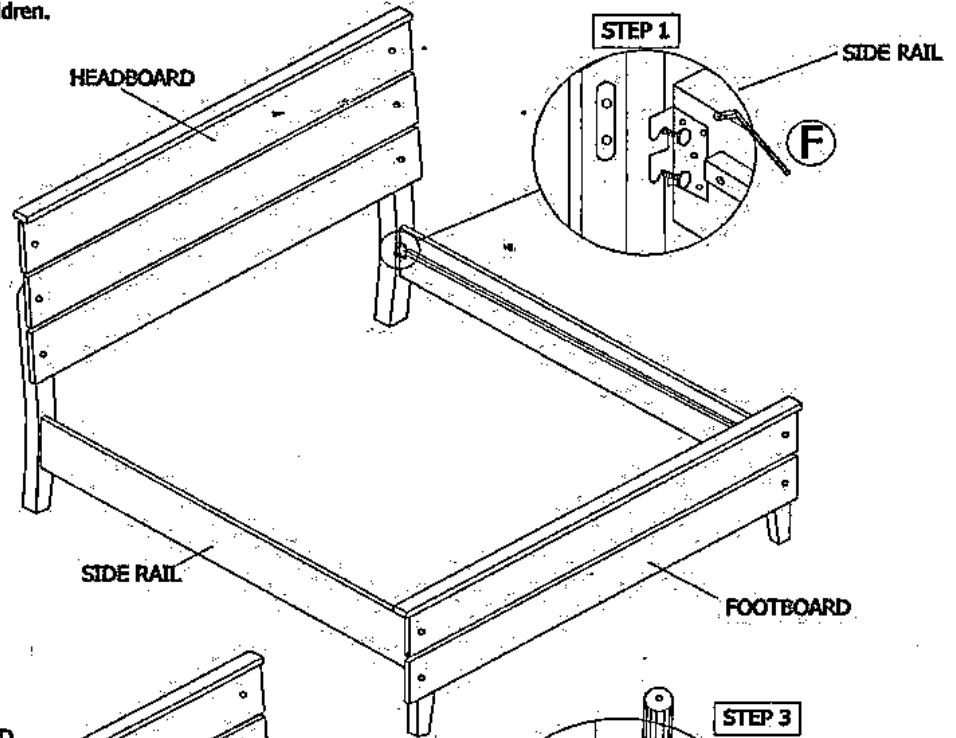
PART LIST

PART / DESCRIPTION	QTY	PART / DESCRIPTION	QTY
HEADBOARD	1 pc	MATTRESS SLAT	12 pcs
FOOTBOARD	1 pc	CENTER SUPPORT	2 pcs
SIDE RAIL	2 pcs	CENTER LEG	6 pcs

CAUTIONS : Hardware are to kept out of reach from children.

STEP 1

Remove the "screw" on bracket of HEADBOARD & FOOTBOARD, assembly the SIDE RAIL to HEADBOARD or FOOTBOARD with fix back the existing "screw" to the existing bracket insertion hole.

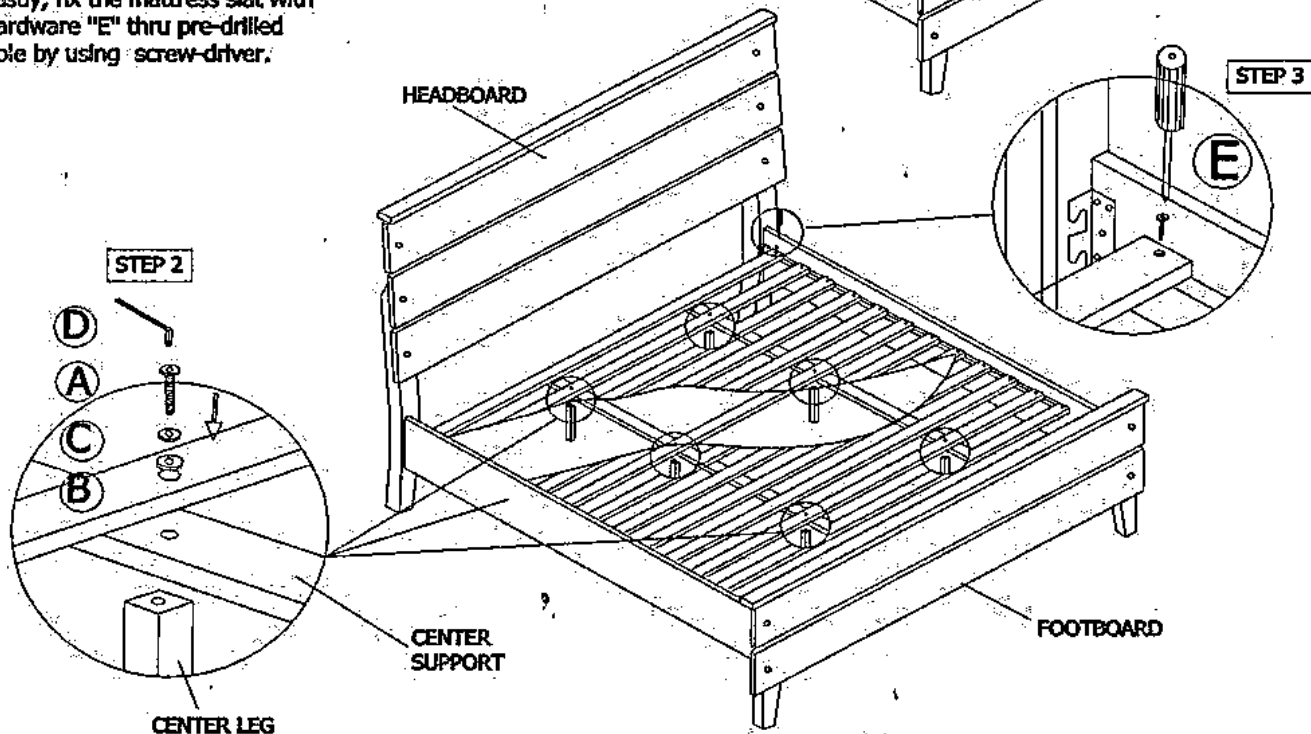


STEP 2

Attach all mattress slat onto the SIDE RAIL, attach hardware "A", "B" and "C" by using ALLEN KEY "D" to assembly the CENTER LEG thru the pre-drilled hole on MATTRESS SLAT and CENTER SUPPORT.

STEP 3

Lastly, fix the mattress slat with hardware "E" thru pre-drilled hole by using screw-driver.



NOTE : ONE BED TOTAL 4 CARTONS (HEADBOARD , FOOTBOARD , SIDE RAIL & WOODEN BASE)

MADE IN MALAYSIA