

# ASSEMBLY INSTRUCTION

ITEM : BR-DV1001Q-X

## HARDWARE LIST

ITEM	DESCRIPTION	QTY
A	JC88 SCREW M 6 x 60	3 pcs
B	FLAT WASHER	3 pcs
C	SPRING WASHER	3 pcs
D	ALLEN KEY M 4	1 pc
E	SCREW M4 X 30 mm.	24 pcs
F	ALLEN KEY M 5	1 pc

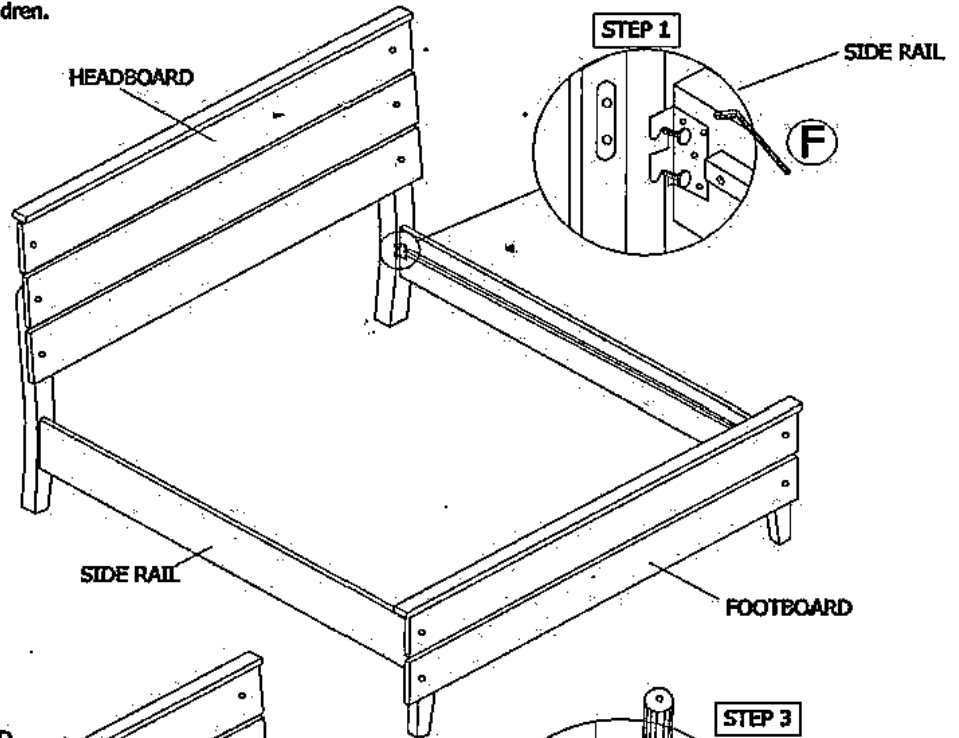
## PART LIST

PART / DESCRIPTION	QTY	PART / DESCRIPTION	QTY
HEADBOARD	1 pcs	MATTRESS SLAT	12 pcs
FOOTBOARD	1 pc	CENTER SUPPORT	1 pc
SIDE RAIL	2 pcs	CENTER LEG	3 pcs

CAUTIONS : Hardware are to kept out of reach from children.

### STEP 1

Remove the "screw" on bracket of HEADBOARD & FOOTBOARD , assembly the SIDE RAIL to HEADBOARD or FOOTBOARD with fix back the existing "screw" to the existing bracket insertion hole.

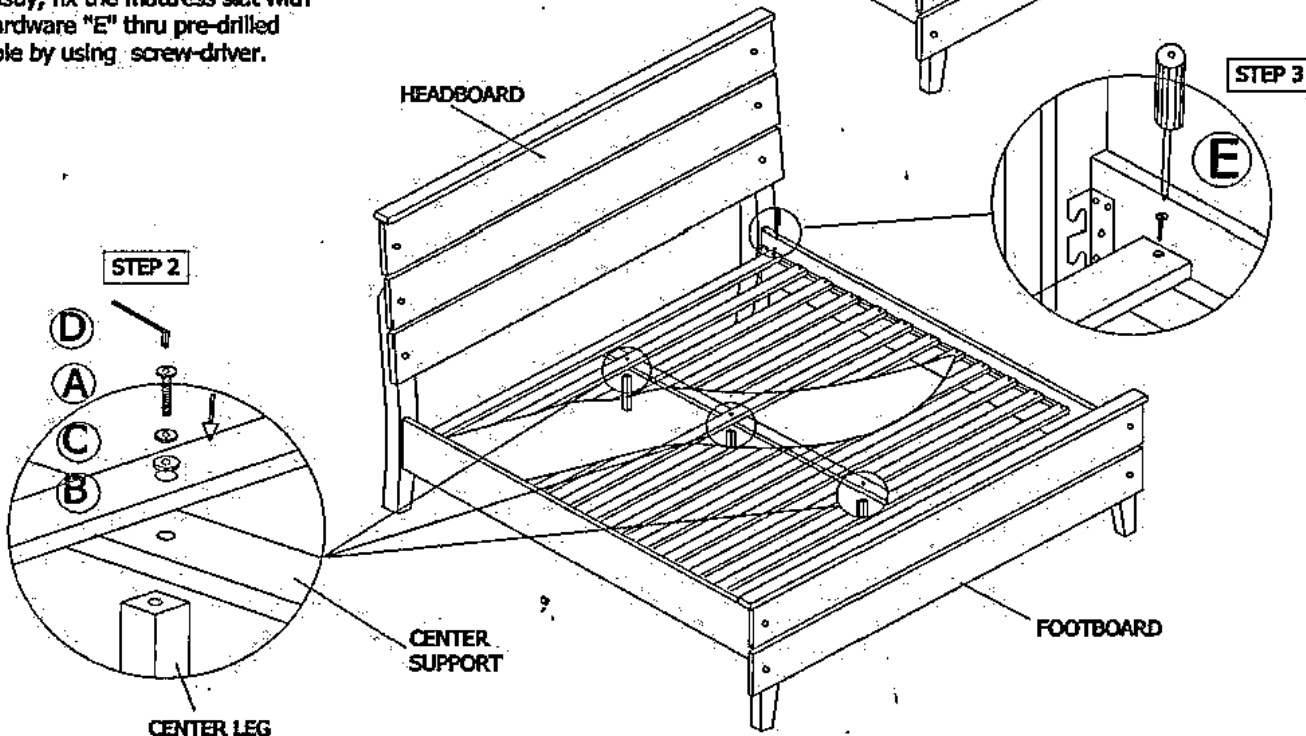


### STEP 2

Attach all mattress slat onto the SIDE RAIL , attach hardware "A" , "B" and "C" by using ALLEN KEY "D" to assembly the CENTER LEG thru the pre-drilled hole on MATTRESS SLAT and CENTER SUPPORT .

### STEP 3

Lastly, fix the mattress slat with hardware "E" thru pre-drilled hole by using screw-driver.



NOTE : ONE BED TOTAL 4 CARTONS ( HEADBOARD , FOOTBOARD , SIDE RAIL & WOODEN BASE )

MADE IN MALAYSIA