







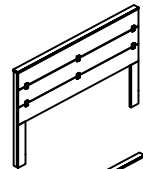

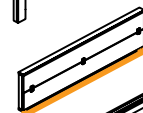



ASSEMBLY INSTRUCTION

ITEM : SCOTTSDALE QUEEN BED

HARDWARE LIST

ITEM	DESCRIPTION	QTY
A	JCBC SCREW M6 x 60 	3 pcs
B	SPRING WASHER 	3 pcs
C	FLAT WASHER 	3 pcs
D	ALLEN KEY M 4 	1 pc
E	ALLEN KEY M 5 	1 pc
F	SCREW M4 X 30 mm. 	28 pcs

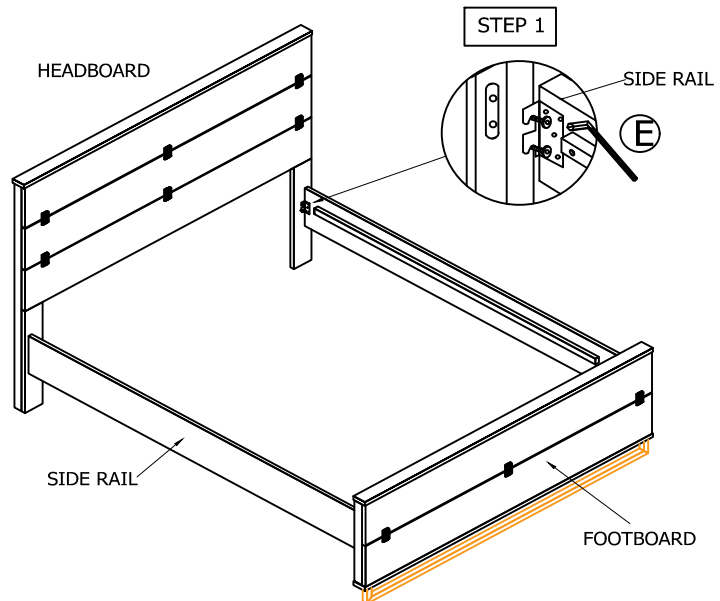
PART LIST

PART / DESCRIPTION	QTY	PART / DESCRIPTION	QTY
HEADBOARD 	1 pc	MATTRESS SLAT 	14 pcs
FOOTBOARD 	1 pc	CENTER SUPPORT 	1 pc
SIDE RAIL 	2 pcs	CENTER LEG 	3 pcs

CAUTIONS : Hardware are to kept out of reach from children.

STEP 1

Loosen screw(s) on HEADBOARD / FOOTBOARD. Then engage the side rail bracket (see step 1 drawing) then tighten screws.

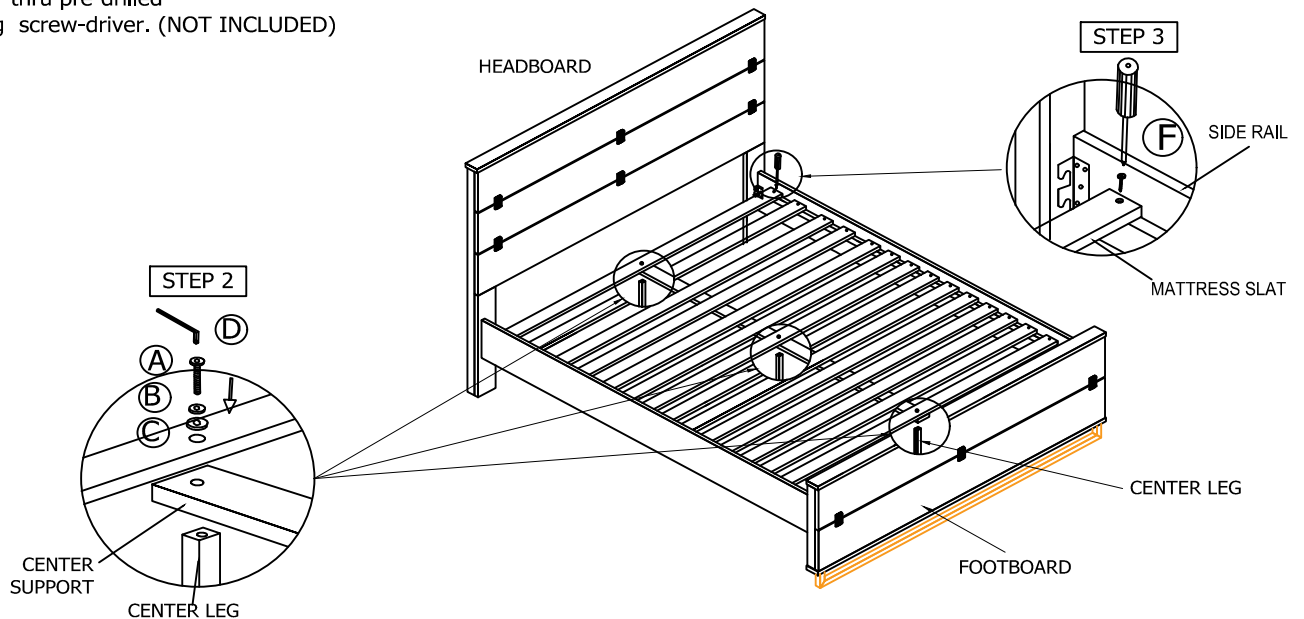


STEP 2

Attach all mattress slat onto the SIDE RAIL, attach hardware "A" "B" and "C" by using ALLEN KEY "D" to assembly the CENTER LEG thru the pre-drilled hole on MATTRESS SLAT and CENTER SUPPORT.

STEP 3

Finally, fix the mattress slat with hardware "F" thru pre-drilled hole by using screw-driver. (NOT INCLUDED)



NOTE : ONE BED TOTAL 4 CARTONS (HEADBOARD , FOOTBOARD , SIDE RAIL & WOODEN BASE)

MADE IN MALAYSIA