

WINNERS

ONLY INC.

ASSEMBLY INSTRUCTIONS

ITEM NO: BR-VG1001K(H,F,R)
BR-VG1001Q(H,F,R)

Component List:

A Headboard 1pc 	B Headboard Legs Queen 2pcs King & Cal. King 2pcs 	C Footboard 1pc 	D Side Rails 2pcs 	E Support Legs 3pcs 	F Slat roll = 11pcs 	G Cross bar 1pc
-------------------------------	--	-------------------------------	---------------------------------	-----------------------------------	--------------------------------	-------------------------------

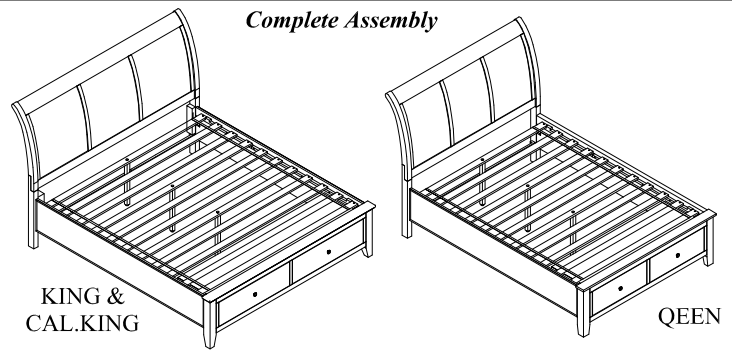
Hardware List:

1 Hex head Bolt Φ5/16"x2-1/4" 4pcs 	2 Hex head Bolt Φ5/16"x1-3/4" 2pcs 	3 Spring Washer Φ5/16" 6pcs 	4 Flat Washer Φ5/16"x19mm 6pcs 	5 Open end Wrench 12mm 1pc 	6 Screw Φ8x25mm 22pcs
---	---	--	---	---	--

Thank you for purchasing this quality product. Be sure to check all packing materials carefully for small parts which may have come loose inside the carton during shipment.

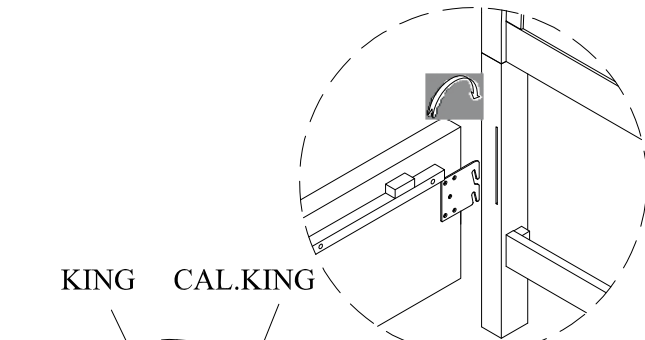
QUEEN

Complete Assembly

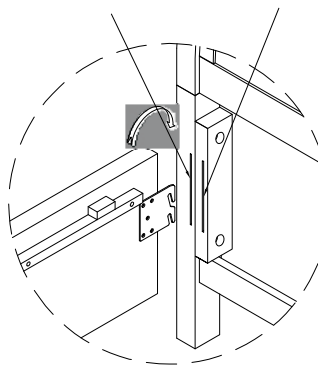


KING CAL.KING

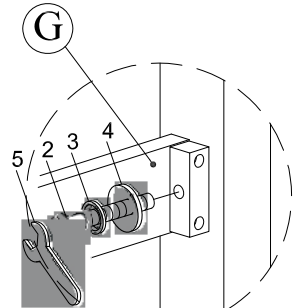
Step 3.



Step 3.



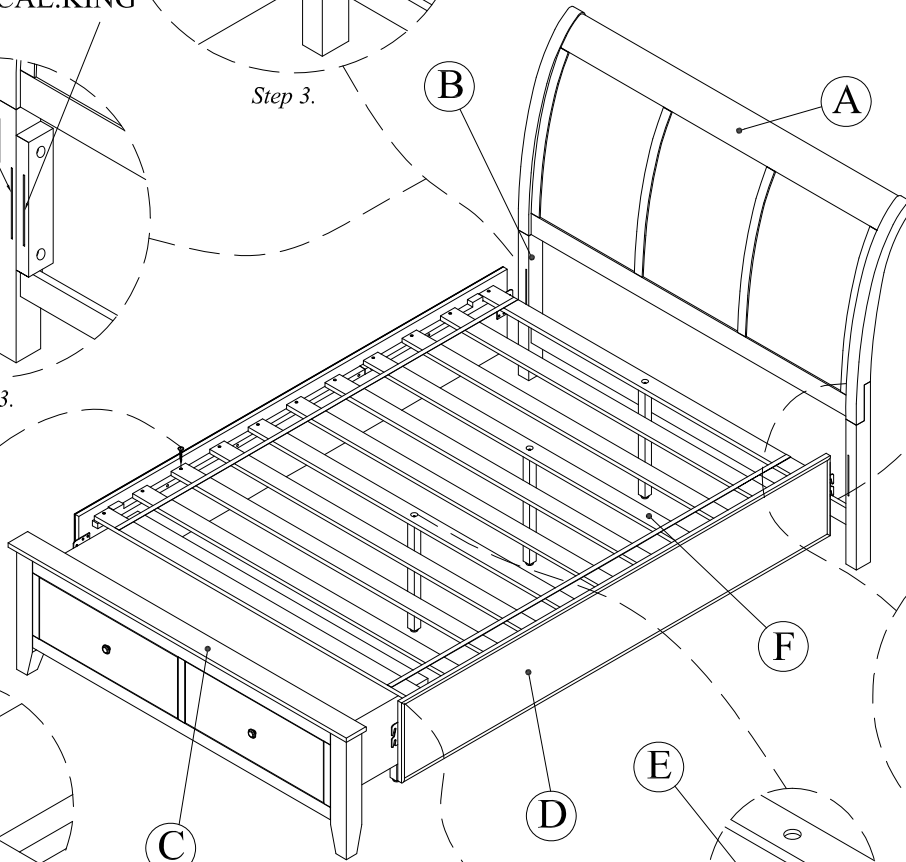
Step 2.



Step 2.

A

B



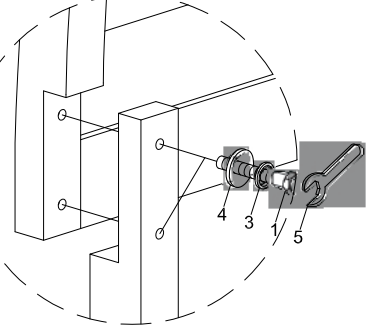
F

E

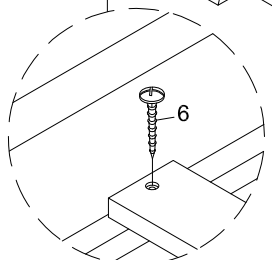
D

C

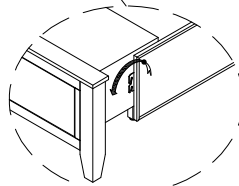
Step 1.



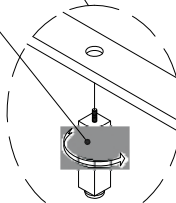
Step 6.



Step 4.



Step 5.



MADE IN VIETNAM