

# WINNERS

ONLY INC.

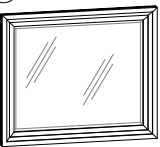
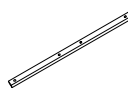

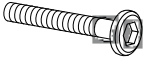



## ASSEMBLY INSTRUCTIONS

Dresser / Mirror

ITEM NO: BR-VG1006 / BR-VG1009

Component List:

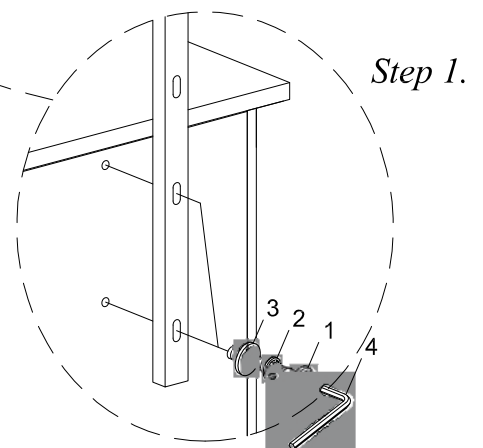
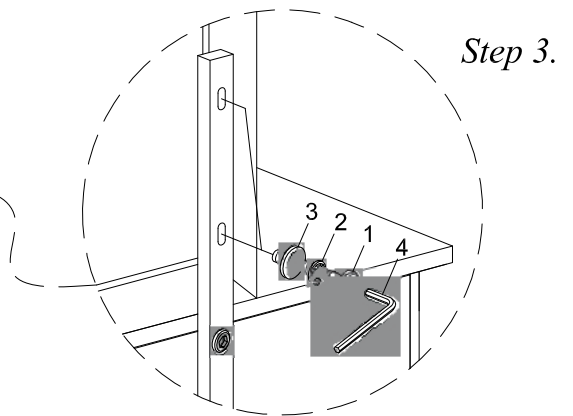
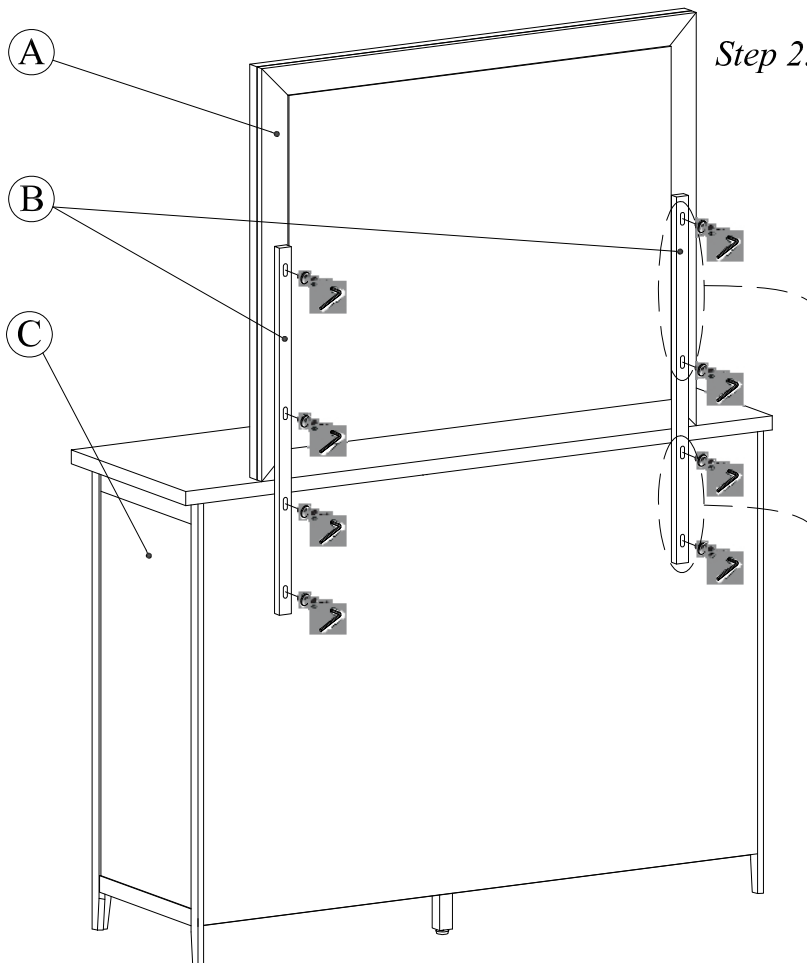
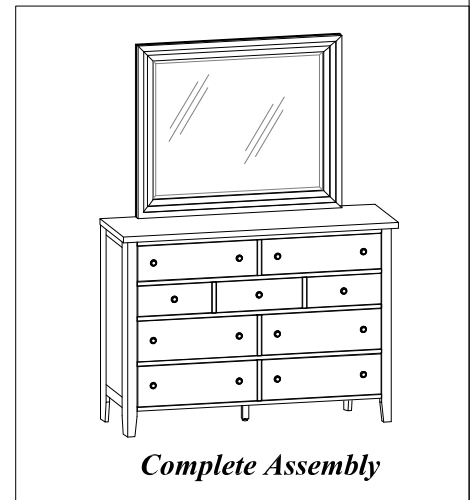
Hardware List:

<b>A</b> Mirror  1pc	<b>B</b> Batten  2pcs	<b>C</b> Dresser  1pc	<b>1</b> Allen Bolt Φ1/4"x1-3/8"  8pcs	<b>2</b> Spring Washer Φ1/4"  8pcs	<b>3</b> Flat Washer Φ1/4"x19mm  8pcs	<b>4</b> Allen key 4mm  1pc
--	--	--	--	---	---	---

Thank you for purchasing this quality product. Be sure to check all packing materials carefully for small parts which may have come loose inside the carton during shipment.

**CAUTION:** Two people are recommended for assembly.

- Step 1. Secure batten to the dresser using flat washer (3), spring washer (2), allen bolt (1), and allen wrench (4).
- Step 2. Mount mirror on the dresser.
- Step 3. Secure mirror to the batten using flat washer (3), spring washer (2), allen bolt (1) and allen wrench (4)



MADE IN VIETNAM