

# WINNERS

ONLY INC.

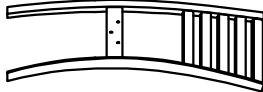
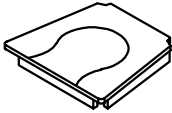
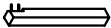
## ASSEMBLY INSTRUCTIONS

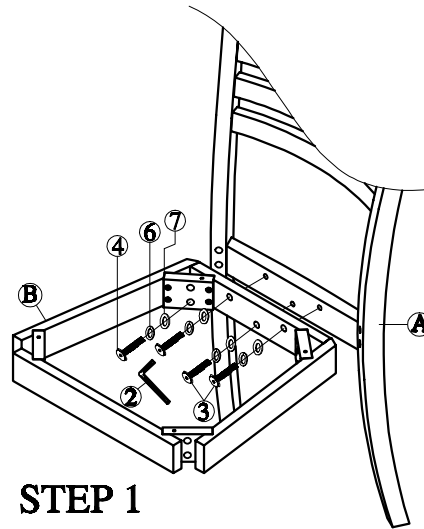
ITEM NO : C1-A450S- -O

**Thank you for purchasing this quality product . Be sure to check all packaging material carefully for small parts that may have come loose inside the carton during shipment .**

**"Hardware is attached underneath the seat bottom"**

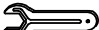






### Components List :

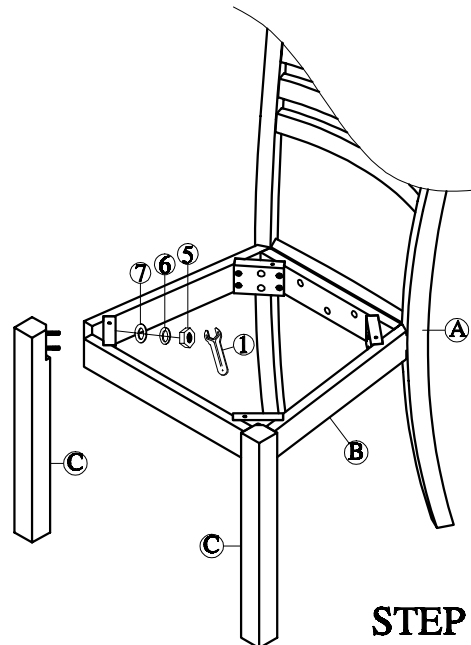
- |               |   |      |
|---------------|---|------|
| A. Back Frame |  | 1pc  |
| B. Seat Frame |  | 1pc  |
| C. Front Leg  |  | 2pcs |



**STEP 1**

### Hardware List :

- |  |   |       |
|--|---|-------|
| 1. Wrench 12x75mm                        |    | 1pc   |
| 2. Allen Key 4x58mm                      |  | 1pc   |
| 3. Bolt 1/4"x45mm                        |  | 3pcs  |
| 4. Bolt 1/4"x85mm                        |  | 4pcs  |
| 5. Hex-Nut 5/16"                         |  | 4pcs  |
| 6. Spring Washer $\phi 13 \times 5/16$ " |  | 11pcs |
| 7. Flat Washer $\phi 19 \times 5/16$ "   |  | 11pcs |



**STEP 2**

#### Reminders

1. Use only the hardware supplied.
2. Once the chair is finished, level and tighten all the bolts.
3. Do not over-tighten bolts.
4. This item may require periodic tightening.

**NOTE :** Hardware pack is located on back of Seat frame (B)

**Step1:** Attach the seat frame (B) to Back frame (A) by using flat washer (7),spring washer (6) and bolt (3&4).

**Step2:** Attach the 2 pcs front legs (C) to seat frame (B) by using flat washer (7) & spring washer (6) and hex-nut (5) .

**Assembly is now complete**  
**Thank you for purchasing this product.**

