

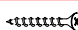



# ASSEMBLY INSTRUCTIONS

MODEL : C1-EL102S--O

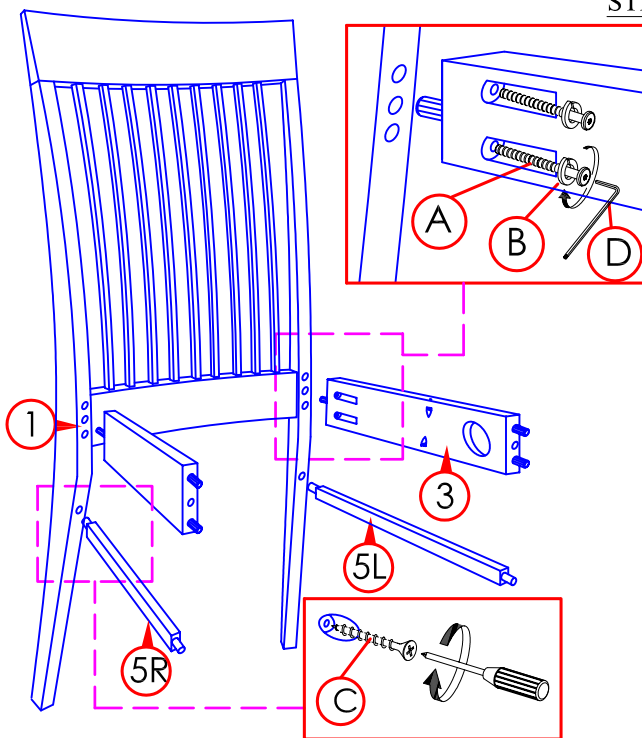
**IMPORTANT NOTE :** \* PLACE ALL WOODEN PARTS ON A CLEAN AND SMOOTH SUCH AS A RUG OR CARPET TO AVOID THE PARTS FROM BEING SCRATCHED.  
 \* BEFORE YOU BEGIN, KINDLY FOLLOW THE ASSEMBLY INSTRUCTIONS STEP BY STEP.  
 \* DO NOT TIGHTEN ALL SCREWS UNTIL THE CHAIR IS FULLY SET-UP.

HARDWARE LIST		PART LIST		
A		1	CHAIR BACK	1PC
B		2	FRONT LEG	1PC
C		3	SIDE STRETCHER	2PCS
D		4	CHAIR SEAT	1PC
		5	SIDE RAIL R & L	2PCS

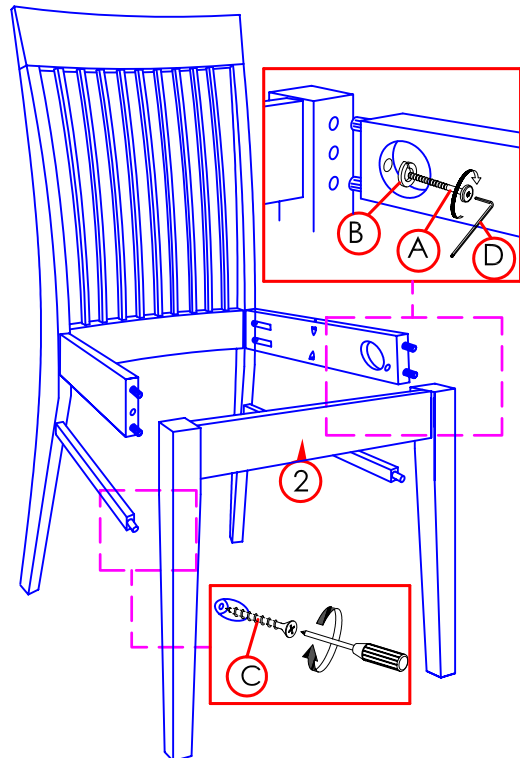
## CAUTIONS :

- DO NOT FULLY-TIGHTEN THE NUT OR NUT BOLTS INITIALLY UNTIL ALL NUTS OR BOLT IS READY ASSEMBLED.**  
 (TO AVOID CAUSING DAMAGES TO THE THREAD, DO NOT OVER-TIGHTEN THE NUTS OR BOLTS.)
- KEEP ALL HARDWARE PART OUT OF REACH OF CHILDREN.**

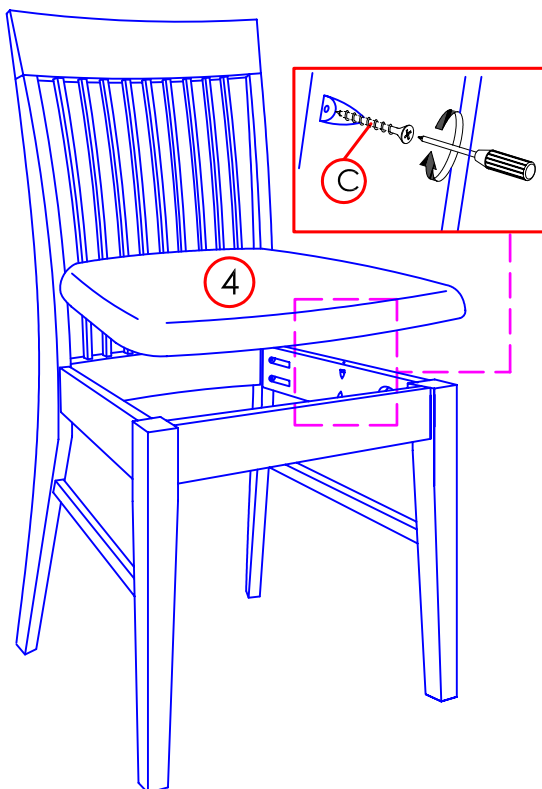
STEP 1



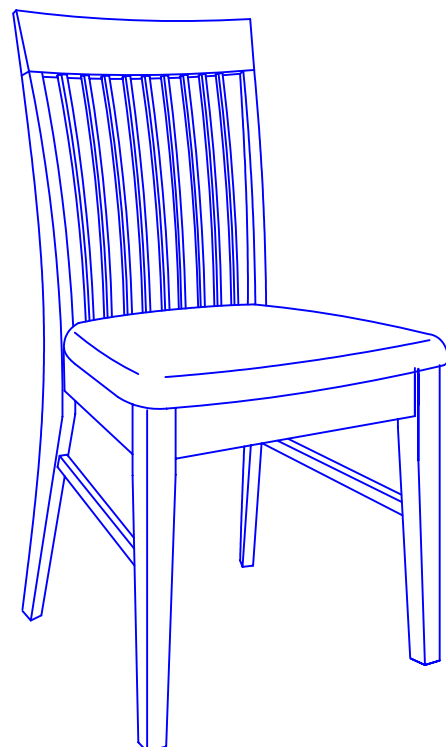
STEP 2



STEP 3



STEP 4



COMPLETED CHAIR ASSEMBLY.