

ASSEMBLY INSTRUCTION




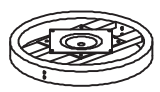

PORTER 24" LADDERBACK STOOL
- WALNUT / ESPRESSO

- IMPORTANT NOTE :**
- To prevent scratch, place all wooden parts on a clean and smooth surface such as carpet.
 - Keep all hardware parts out of reach of children.
 - Follow assembly instruction step by step.

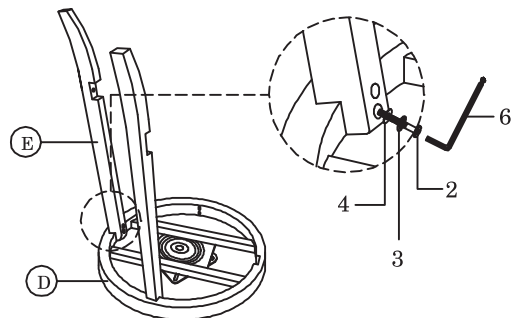


HARDWARE LIST		
No	Description	Quantity
1	JCBC BOLT M6 X 25MM	4 PCS
2	JCBC BOLT M6 X 40MM	18 PCS
3	SPRING WASHER M6 X 13MM	18 PCS
4	FLAT WASHER M6 X 13MM	12 PCS
5	FLAT WASHER M6 X 16MM	10 PCS
6	ALLEN KEY M4	1 PC

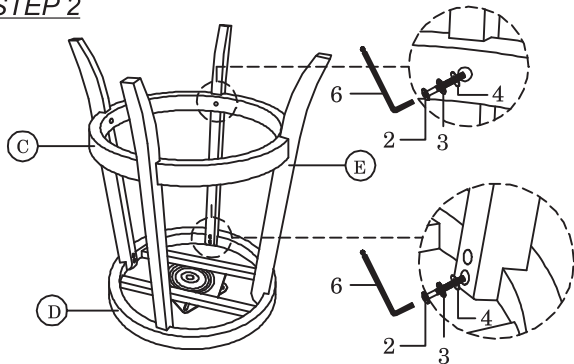
NOTE : Do not tighten all screws until the stool is fully set-up.

PARTS LIST	
(A)  Backrest - 1PC	(C)  Footrest - 1PC
(B)  Cushion Seat - 1 PC	(D)  Apron with Swivel Plate - 1PC
	(E)  Chair Leg - 4PCS

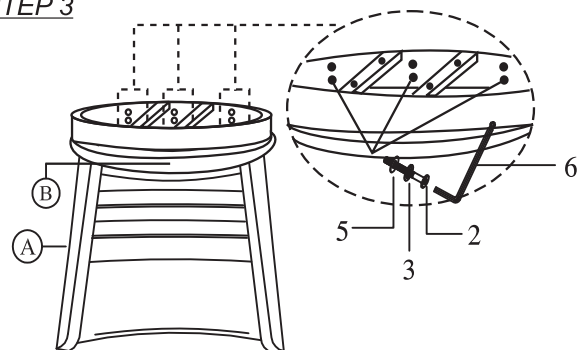
STEP 1



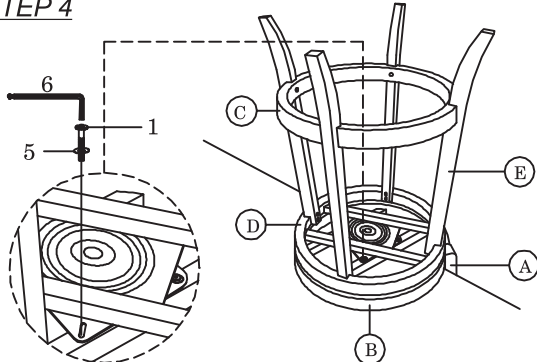
STEP 2



STEP 3



STEP 4



STEP 5



ASSEMBLY COMPLETED