

## ASSEMBLY INSTRUCTION

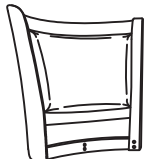
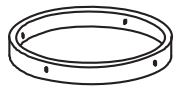
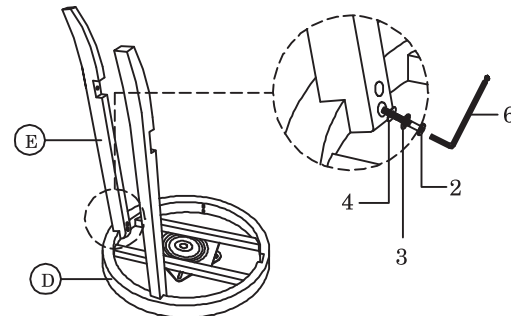

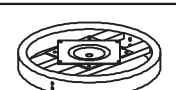

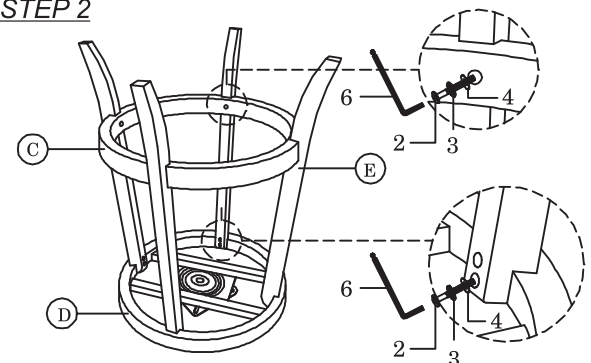
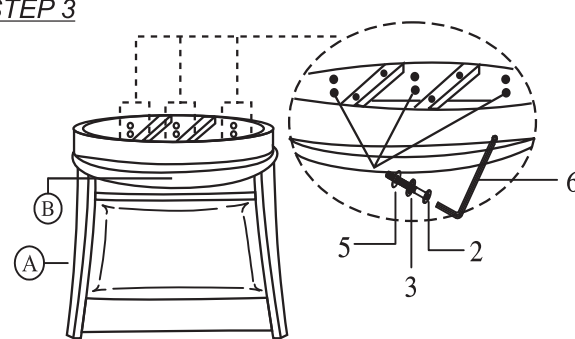
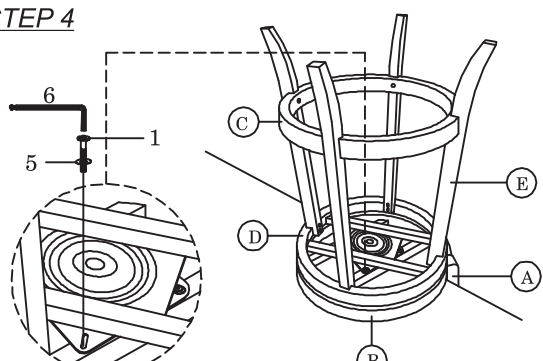
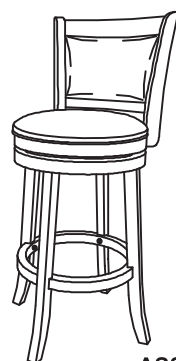
PORTER 24" UPHOLSTEREDBACK STOOL  
- WALNUT / ESPRESSO

- IMPORTANT NOTE :**
- To prevent scratch, place all wooden parts on a clean and smooth surface such as carpet.
  - Keep all hardware parts out of reach of children.
  - Follow assembly instruction step by step.



HARDWARE LIST		
No	Description	Quantity
1	JCBC BOLT M6 X 25MM	4 PCS
2	JCBC BOLT M6 X 40MM	18 PCS
3	SPRING WASHER M6 X 13MM	18 PCS
4	FLAT WASHER M6 X 13MM	12 PCS
5	FLAT WASHER M6 X 16MM	10 PCS
6	ALLEN KEY M4	1 PC

**NOTE : Do not tighten all screws until the stool is fully set-up.**

PARTS LIST		STEP 1	
<p>(A)  Backrest - 1PC</p>	<p>(C)  Footrest - 1PC</p>		
<p>(B)  Cushion Seat - 1 PC</p>	<p>(D)  Apron with Swivel Plate - 1PC</p> <p>(E)  Chair Leg - 4PCS</p>		
<p><b>STEP 2</b></p> 		<p><b>STEP 3</b></p> 	
<p><b>STEP 4</b></p> 		<p><b>STEP 5</b></p>  <p><b>ASSEMBLY COMPLETED</b></p>	