

ASSEMBLY INSTRUCTION

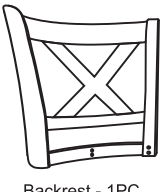


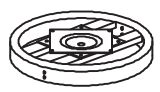

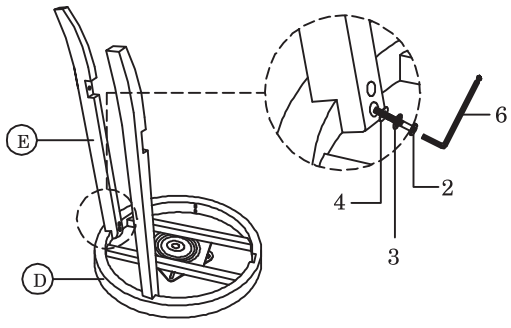
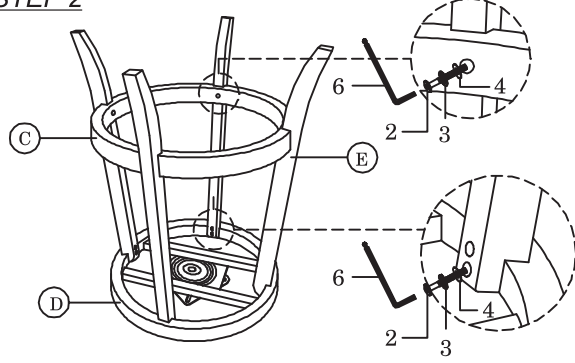
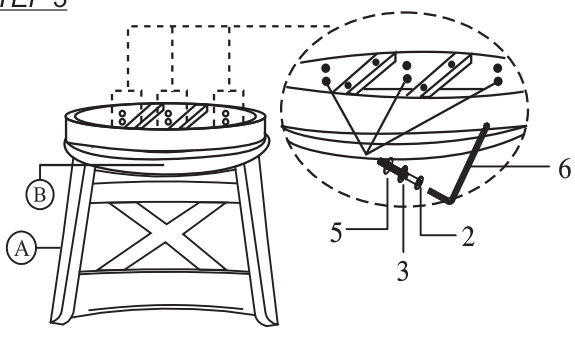
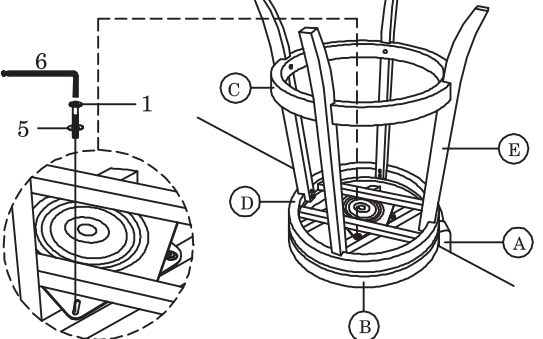
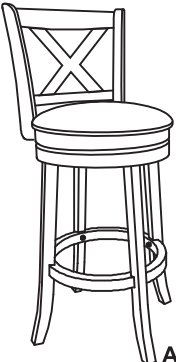
PORTER 24" X-BACK STOOL
- WALNUT / ESPRESSO

- IMPORTANT NOTE :**
- To prevent scratch, place all wooden parts on a clean and smooth surface such as carpet.
 - Keep all hardware parts out of reach of children.
 - Follow assembly instruction step by step.



HARDWARE LIST		
No	Description	Quantity
1	JCBC BOLT M6 X 25MM	4 PCS
2	JCBC BOLT M6 X 40MM	18 PCS
3	SPRING WASHER M6 X 13MM	18 PCS
4	FLAT WASHER M6 X 13MM	12 PCS
5	FLAT WASHER M6 X 16MM	10 PCS
6	ALLEN KEY M4	1 PC

NOTE : Do not tighten all screws until the stool is fully set-up.

PARTS LIST		STEP 1	
<p>(A)  Backrest - 1PC</p> <p>(B)  Cushion Seat - 1 PC</p>	<p>(C)  Footrest - 1PC</p> <p>(D)  Apron with Swivel Plate - 1PC</p> <p>(E)  Chair Leg - 4PCS</p>		
<p>STEP 2</p> 		<p>STEP 3</p> 	
<p>STEP 4</p> 		<p>STEP 5</p>  <p>ASSEMBLY COMPLETED</p>	