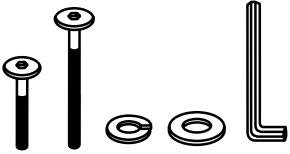
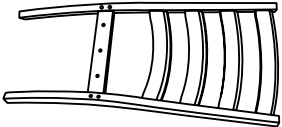

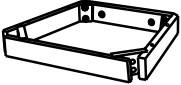
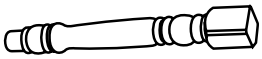


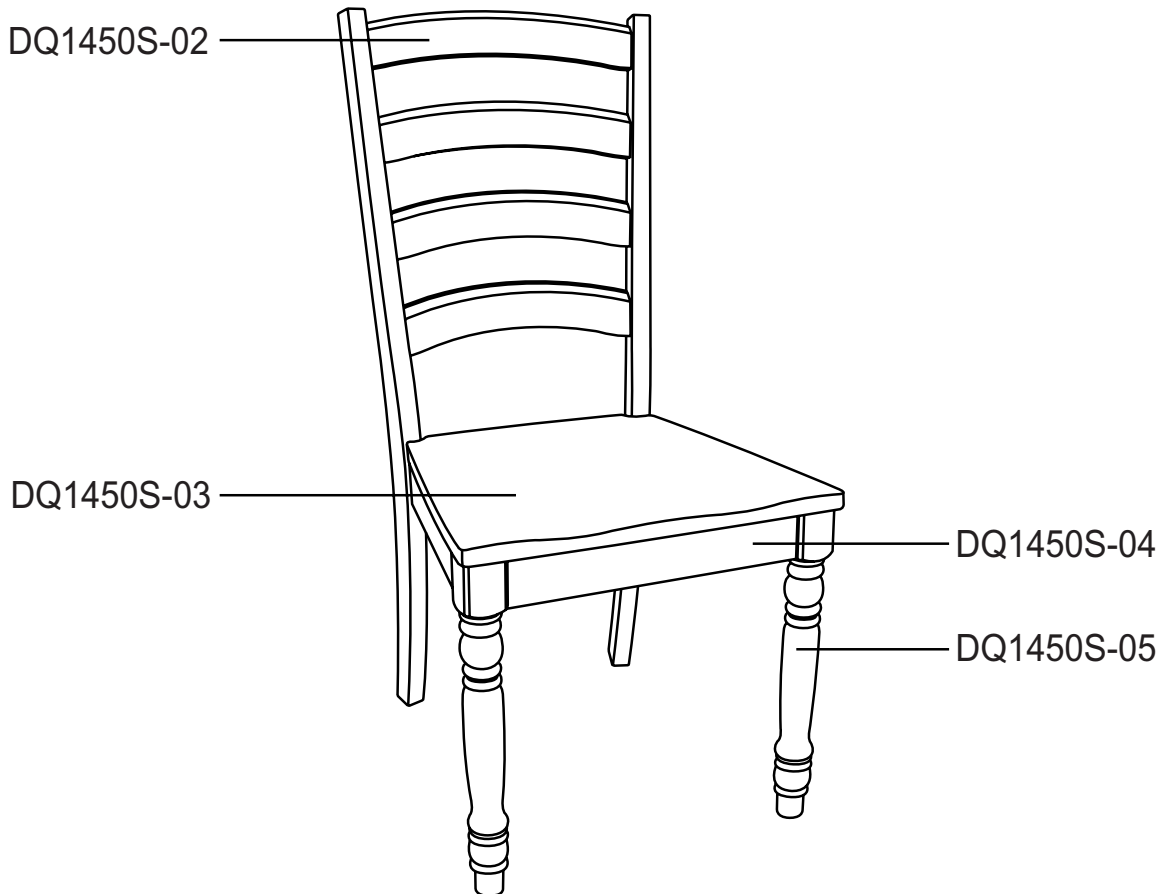
# Assembly Instructions

C1-QR450S-B

LADDERBACK SIDE CHAIR

## PARTS LIST






PART NO	FIGURE	DESCRIPTION	Q'TY
DQ1450S-01		Hardware Bag	1 Pce
DQ1450S-02		Chair Back	1 Pce
DQ1450S-03		Wood Seat	1 Pce
DQ1450S-04		Seat Frame	1 Pce
DQ1450S-05		Front Leg (Left / Right)	2 Pcs



# Assembly Instructions

## DQ1450S LADDERBACK SIDE CHAIR

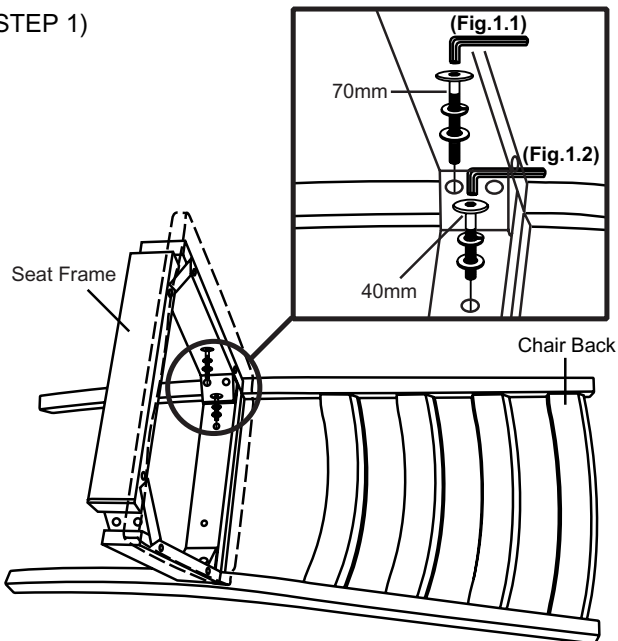
### Hardware List :

 M6x40mm JCBC Bolt 2 pcs	 M6x70mm JCBC Bolt 8 pcs	 M6x13mm Lock Washer 10 pcs	 M6.5x16.5mm Flat Washer 10 pcs	 Allen Key 1 pce
--	--	---	---	---

### ASSEMBLY:

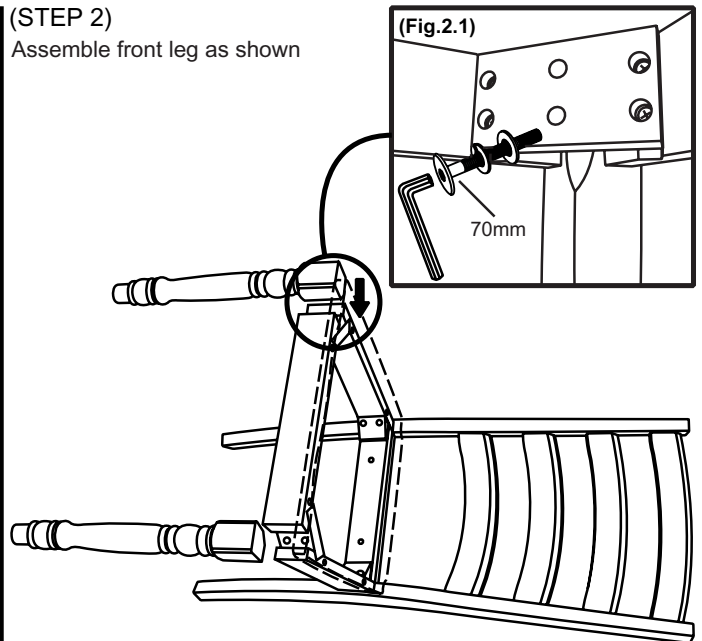
1. Position the Chair Back on a soft surface such as a carpet. Place the Seat Frame (Wood seat is pre- attached to the seat frame in assembly) on to the middle rail of the Chair Back with the dowel fully Inserted into the pre-drilled hole.
  - 1.1. Insert 70mm JCBC Bolt a Lock Washer and a Flat Washer into the pre- drilled holes on the rear corner block of the seat frame.
  - 1.2. Insert the 40mm JCBC Bolt a Lock Washer and a Flat Washer through the rear pre-drilled holes on the seat frame.
2. Insert the 70mm JCBC Bolt through a Lock Washer, a Flat Washer and the pre-drilled holes of Corner Block into the pre-drilled holes on the Front Leg, use the provided Allen Key. But do not fully tighten the bolts yet.

#### (STEP 1)



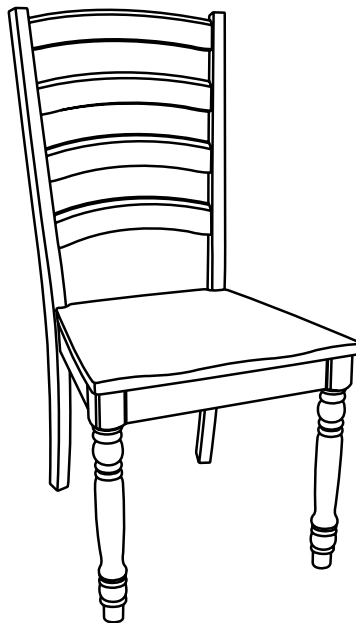
#### (STEP 2)

Assemble front leg as shown



#### (STEP 3)

Turn the chair to standing position. Check it's balance and tighten all screw and bolts to complete the assembly.



#### CARE INSTRUCTION

- ~ Be sure to use the same type of polish consistently. Your furniture will appear cloudy or streaky if oil based or wax based polishes are interchanged.
- ~ Spray your furniture surface evenly. Wipe in a circular motion with a soft clean cloth.