

WINNERS

ONLY INC.






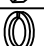

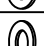


ASSEMBLY INSTRUCTIONS

ITEM NO : C1-RT102A--D

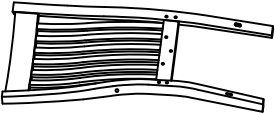
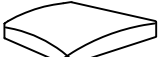
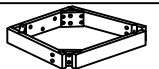





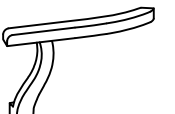
Thank you for purchasing this quality product . Be sure to check all packaging material carefully for small parts that may have come loose inside the carton during shipment .

"Hardware is attached underneath the seat bottom"

Hardware List :

NO	DESCRIPTION	SIZE	SKETCH	QTY
1	Wrench	12x75 mm		1pc
2	Allen Key	58x23x4 mm		1pc
3	Short Bolt	1/4" x38 mm		9pcs
4	Long Bolt	1/4" x85 mm		4pcs
5	Hex-Nut	5/16"		4pcs
6	Spring Washer	5/16" x Ø12		17pcs
7	Flat Washer	5/16" x Ø19		15pcs
8	Small Washer	1/4" x Ø12		2pcs
9	Wood Screw	Ø8 x 50 mm		4pcs
10	Wood Plug	Ø13 x 7 mm		2pcs

Components List :

NO	DESCRIPTION	SKETCH	QTY
A	Back Frame		1pc
B	Cushion Seat		1pc
C	Seat Frame		1pc
D	Front Leg (Left)		1pc
E	Front Leg (Right)		1pc
F	Side Stretcher (Left)		1pc
G	Side Stretcher (Right)		1pc
H	Arm Chair (Left)		1pc
I	Arm Chair (Right)		1pc

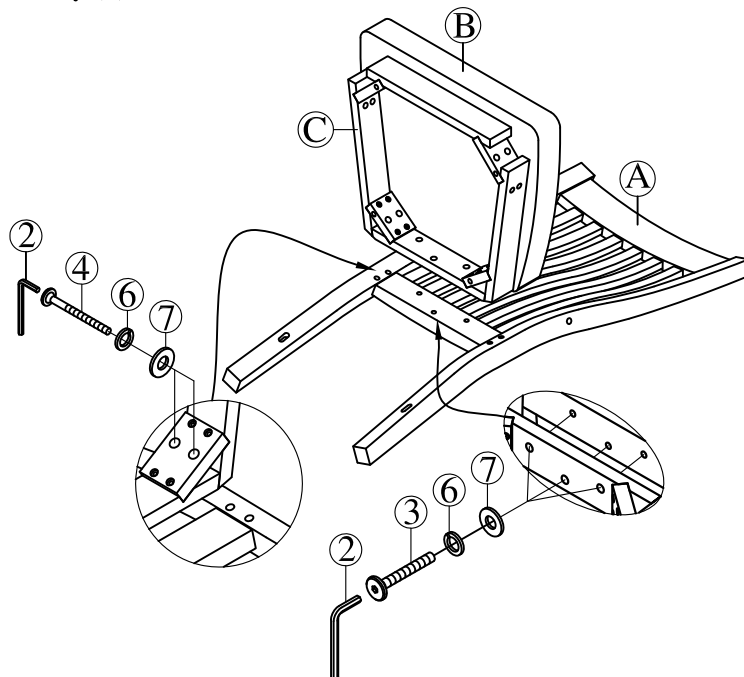
Reminders

1. Use only the hardware supplied.
2. Once the chair is finished, level and tighten all the bolts.
3. Do not over-tighten bolts.
4. This item may require periodic tightening.

NOTE :

1. Hardware pack is located underneath the Cushion Seat (B)
2. Two or more people are needed for assembly. Please keep all hardware parts out of the reach of children.

Step1: Attach the Seat Frame (C) with Cushion Seat (B) to Back Frame (A) by using Flat Washer (7), Spring Washer (6) and Bolt (3&4). Secure with Allen Key (2)



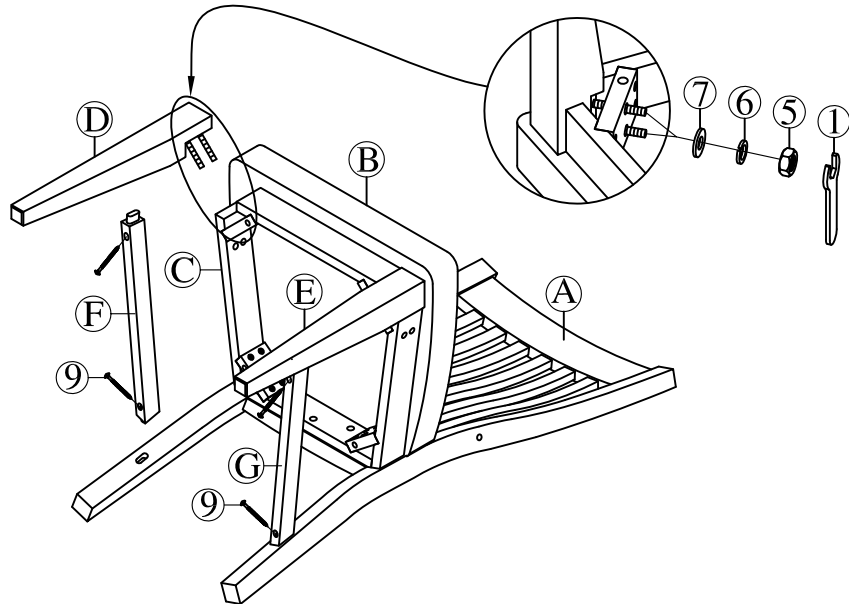
WINNERS

ONLY INC.

ASSEMBLY INSTRUCTIONS

ITEM NO : C1-RT102A-D

Step2: Attach Side Stretcher (F&G) to Back Frame (A) using Wood Screws (9) through pre-drilled holes of Side Stretcher (F&G) and Back Frame (A). Attach the assembled Front Leg (D&E) to Seat Frame (C) by using Flat Washers (7), Spring Washers (6) and Hex-Nut (5). Attach Front Legs (D&E) to the Side Stretcher (F&G) using Wood Screws (9) through pre-drilled holes on the Side Stretcher (F&G). Secure with Wrench (1)



Step 3: Attach Arm Chair (H, I) to Chair Back (A) by inserting Small Washer (8), Spring Washer (6), Short Bolt (3) through bolts and secure with Allen Key (2). Insert Flat Washer (7), Spring Washer (6), Short Bolt (3) into the holes at the Seat Frame (C), secure with Allen Key (2). Then insert Wood Plug (10) into the hole as picture shown. Assembly is now complete. Thank you for choosing this product.

