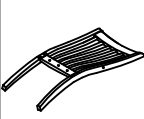



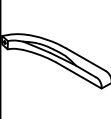











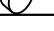
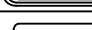
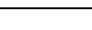
Assembly Instructions

Slat Back Arm Chair C1-T450A-C / C1-T450A-O

Caution: Please read instructions thoroughly before unpacking assembly parts. Sharp, exposed staple tips can cause injury, therefore, for your protection, please remove any exposed staples used in packing.

1. We recommend that you should assemble this product with the assistance of another person; this will make assembly easier, and will help to eliminate damages to the product or injury to persons during assembly.
2. Be sure to check all packing materials carefully for small parts that may have come loose inside the carton during shipment.
3. Please do not over tighten screws or bolts.
4. Please put all parts on a non-abrasive floor before assembly, and follow the assembly steps to assemble your newly purchased product correctly and efficiently.

PARTS LIST					
					
(A)	(B)	(C) 1(Left)	(D) 1(Right)	(E) 1(Left)	(F) 1(Right)

No	HARDWARE LIST	Q'TY
1	 SMALL FLAT WASHER □ 1/4"	6
2	 SMALL SPRING WASHER □ 1/4"	8
3	 LARGE FLAT WASHER □ 5/16"	4
4	 LARGE SPRING WASHER □ 5/16"	4
5	 BOLT □ 1/4" x 2-3/4" L	4
6	 BOLT □ 1/4" x 1-5/8" L	4
7	 NUT	4
8	 SCREWS	2
9	 WOOD PLUG	2
10	 HEX KEY	1
11	 WRENCH	1

Step 1. Unpack carton and place all parts on a non-abrasive floor.

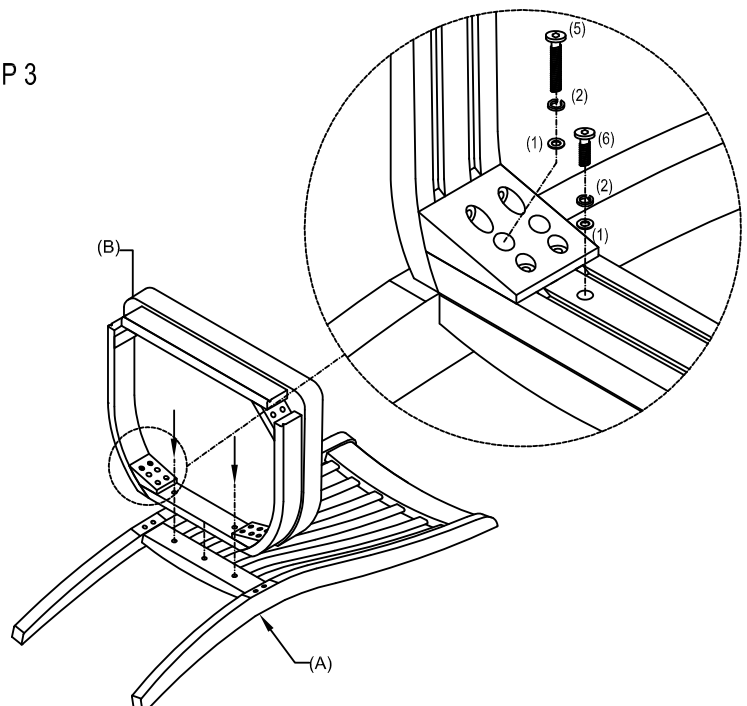
Step 2. Remove plastic cover from upholstered seat cushion (B)

Step 3. Attach the chair back frame (A) to the Upholstered seat frame (B) by using flat washers (1), spring washers (2) and bolts (6). Hand tighten bolts.

Attach the chair back frame (A) to the Upholstered seat frame (B) by using flat washers (1), spring washers (2) and bolts (5) through the pre-drilled holes in the rear corner blocks of the wood seat frame and into the chair back frame (A).

This step requires installation of six bolts

STEP 3



Assembly Instructions

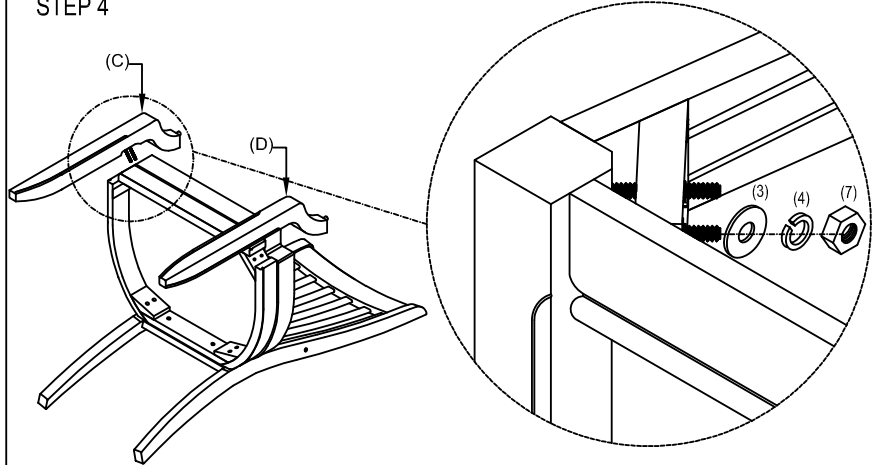
Slat Back Arm Chair C1-T450A-C / C1-T450A-O

Step 4. Attach front legs (C)&(D) to the corner blocks of the wood seat frame (B) by using flat washers (3), spring washers (4) and nuts (7) through the pre-drilled holes in the front corner blocks of the wood seat frame. Then hand tightens all nuts securely.

Attach chair right & left arm (E)&(F) to the chair back frame by using lock washers(2),and bolt (6) ,and then attach bottom and of chair arm(E)&(F) to the front leg using screws .Hand tighten bolts and screws

Step 5. Securely tighten bolts (5), (6) and nuts (7) by using Hex key (8) & wrench (9).

STEP 4



This step requires installation of four nuts

ASSEMBLY INSTRUCTIONS SUPPLEMENT

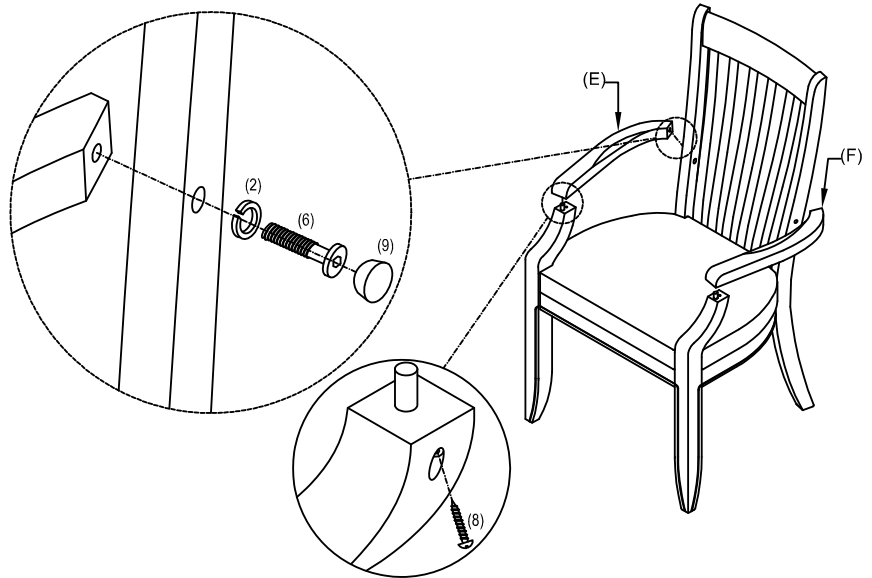
Most floors have slight irregularities that can affect chair leveling. If your chair is uneven when placed in its desired location, perform the following steps:

Step 1. Loosen front legs.

Step 2. Extend both front legs downward to their fullest length.

Step 3. Gently push downward on the front of seat until all four legs rest on floor.

Step 4. Once the chair is level tighten all nuts.



This step requires installation of two bolts & two screws

