

# WINNERS ONLY®

## ASSEMBLY INSTRUCTIONS

PROD. NO : C1-UR104S - -G

Thank you for purchasing this quality product . Be sure to check all packaging material carefully for small parts that may have come loose inside the carton during shipment .

"Hardware is attached underneath the seat bottom"

### Components List :

NO	DESCRIPTION	SKETCH	QTY
A	Back Frame		1pc
B	Seat Frame with Cushion		1pc
C	Front Leg		2pcs
D	Velcro		1pc

### Hardware List :

NO	DESCRIPTION	SIZE	SKETCH	QTY
1	Allen Key	58x23x4 mm		1pc
2	Short Bolt	1/4" x45 mm		7pcs
3	Long Bolt	1/4" x85 mm		4pcs
4	Spring Washer	5/16" x P12		11pcs
5	Flat Washer	5/16" x P19		11pcs

#### Reminders

1. Use only the hardware supplied.
2. Once the chair is finished, level and tighten all the bolts.
3. Do not over-tighten bolts.
4. This item may require periodic tightening.

#### NOTE :

1. Hardware pack is located underneath the Seat Frame with Cushion(B).
2. Two or more people are needed for assembly. Please keep all hardware parts out of the reach of children.

**Step1:** Attach the Seat Frame with Cushion (B) to Back Frame (A) by using Flat Washer (5), Spring Washer (4) and Bolt (2&3).

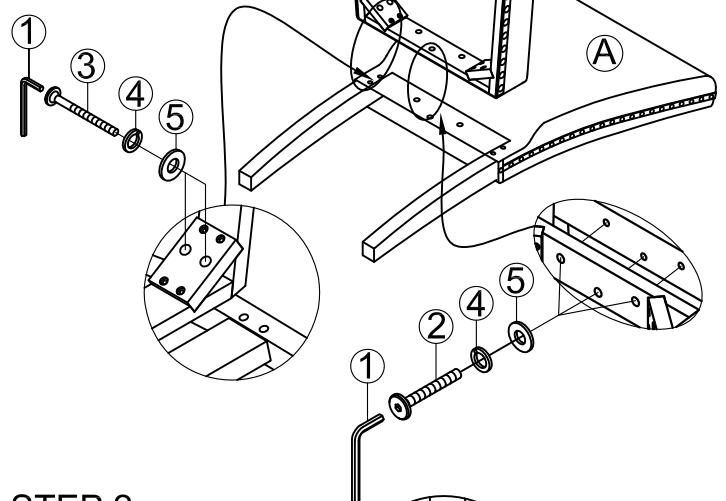
**Step2:** Attach the Front Legs (C) to Seat Frame with Cushion(B) by using Flat Washer (5) & Spring Washer (4) and Bolt (2).

**Step3:** Attach the Velcro (D) to Seat Frame with Cushion(B)

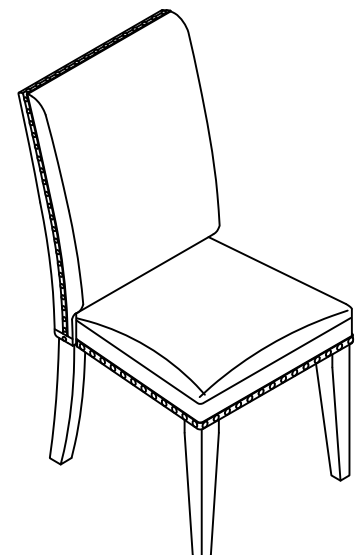
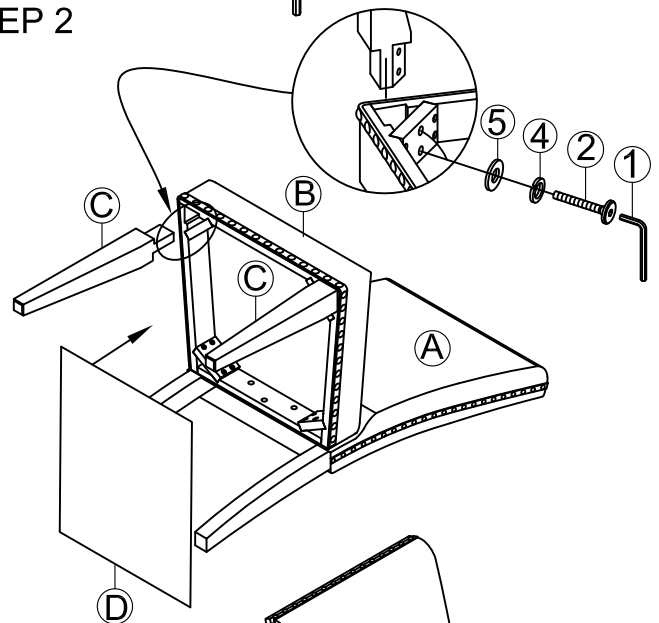
Assembly is now complete

Thank you for purchasing this product.

#### STEP 1



#### STEP 2



MADE IN VIETNAM