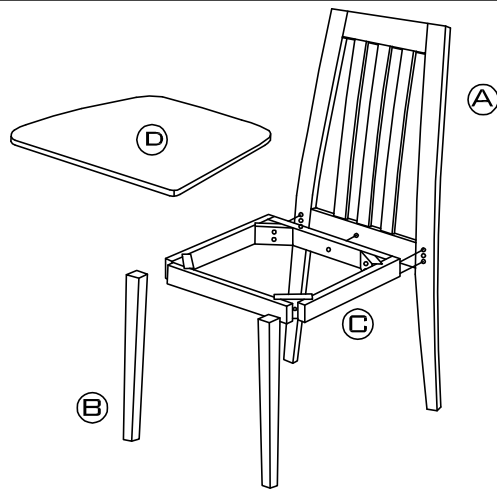
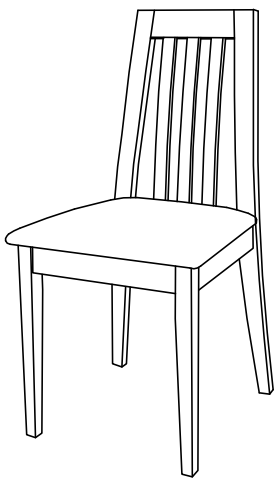


ASSEMBLY INSTRUCTION

C1-WA101S-W



PARTS CHECK-LIST

CODE	COMPONENT	QTY
Ⓐ	BACK STAND	X1
Ⓑ	FRONT LEG	X2
Ⓒ	SEAT FRAME	X1
Ⓓ	SEAT CUSHION	X1

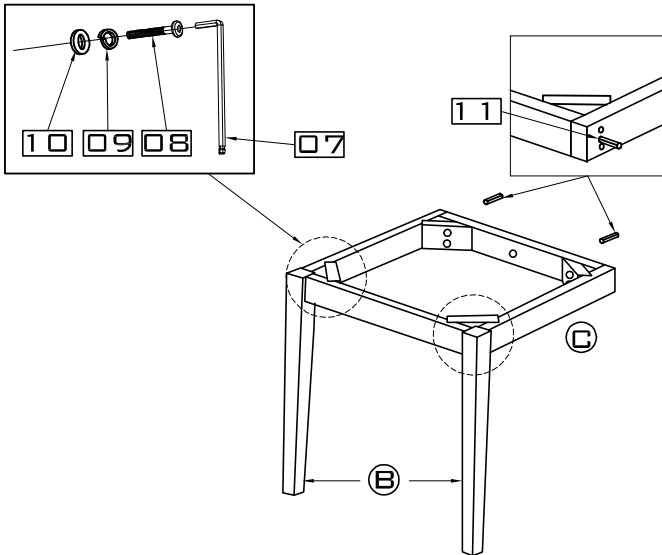
FITTING CHECK-LIST

CODE	DESCRIPTION	QTY
01	JCBC M6x80	X4
02	JCBC M6x40	X1
03	SPRING WASHER M6	X5
04	FLAT WASHER M6	X5
05	SHORT SCREW	X6
06	L-BRACKET	X3
07	ALLEN KEY	X1
08	JCBC M8x80	X2
09	SPRING WASHER M8	X2
10	FLAT WASHER M8	X2
11	DOWEL	X2

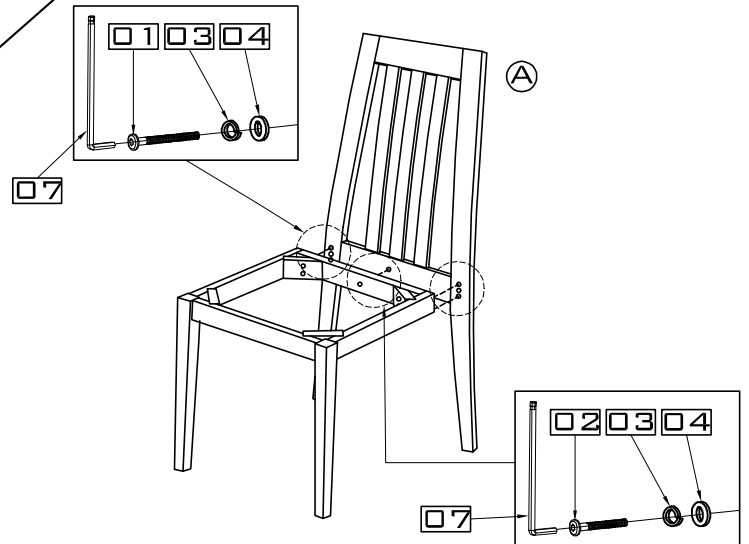
TOOL NEEDED (NOT REQUIRED)  PHILLIP HEAD SCREW DRIVER

- Please do not discard any of the packaging until you have checked all the parts and the packs of fittings.
- Please retightens the screw every six months.
- Maximum load bearing - 100kg (220 lbs).
- Before you begin to assemble your new piece of furniture, please check to ensure that all parts have been supplied.
- Follow instructions closely as deviation from them may void your warranty and present a possible safety risk.
- It is recommended that assembly is done on a soft surface like carpet to avoid any damage.
- Periodically check and re-tighten any fasteners. Wipe down all surface weekly with a clean cloth. Do not clean any surfaces with harsh abrasives or chemicals.

1.



2.



3.

