



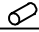




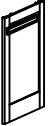
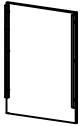





HARDWARE LIST

	6 PCS Machine Bolts (1-1/4")		1 PC Metal Grommet
	2 PCS Keys For File Drawer Lock		1 PC Long(1-1/4") Flat Head Wood Screw
	4 PCS Wood Dowels (Ø8x25mm)		1 PC Short (5/8") Flat Head Wood Screw
	6 PCS Short (3/4") Flat Head Wood Screws		2 PCS Tambour Keys

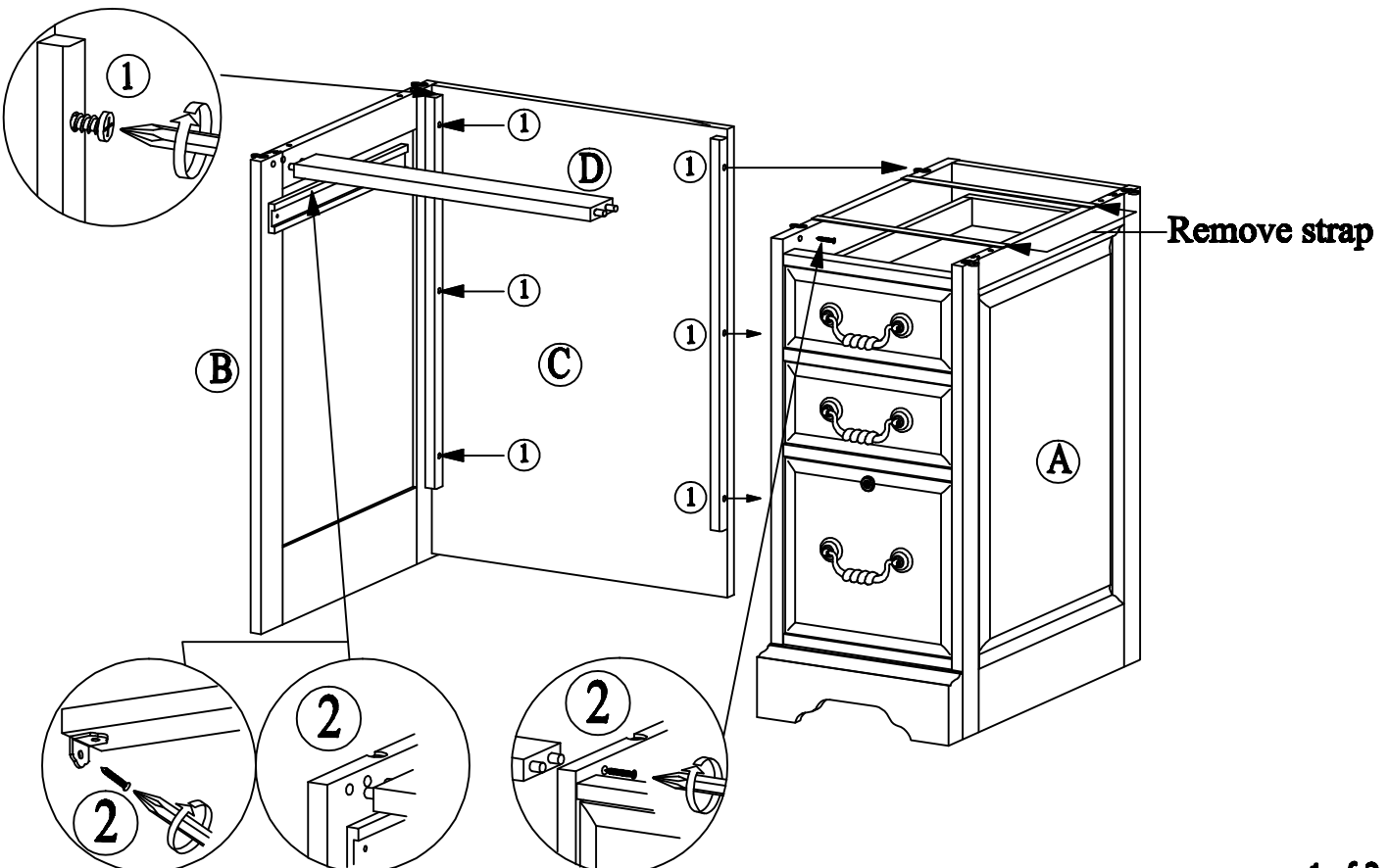
PARTS LIST

A	PEDESTAL	1 PC	B	LHS SIDE PANEL	1 PC	C	BACK PANEL	1 PC
								
D	CROSS BAR	1 PC	E	DESK TOP	1 PC	F	DROP FRONT CENTER DRAWER	1 PC
								

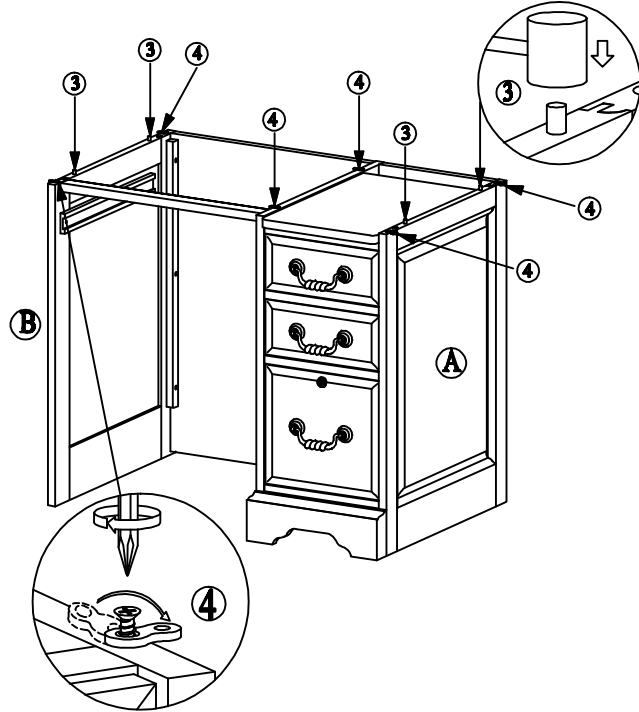
Notes: Need two people to assemble.

Instructions:

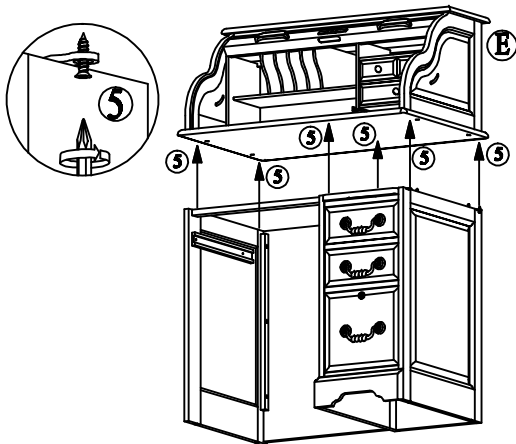
1. Move the pedestal **(A)** and LHS side panel **(B)** to the desired location , insert and tighten **machine bolts(1-1/4")**(6 PCS) to connect **backpanel (C)** to the pedestal **(A)** and LHS side panel **(B)**.
2. Insert center **Cross Bar (D)** into pedestal **(A)** and tighten with **long(1-1/4") flat head wood screw (1 PC)**. Insert center **Cross Bar(D)** into LHS side panel **(B)** and tighten with **Short (5/8") Flat Head Wood Screw(1 PC)** through metal bracket.



- ③ Insert two wood dowels (4 PCS) in pedestal (A) and LHS side panel (B).
- ④ Loosen the screw to adjust Metal figure 8 (6 PCS) of its direction of the panel.

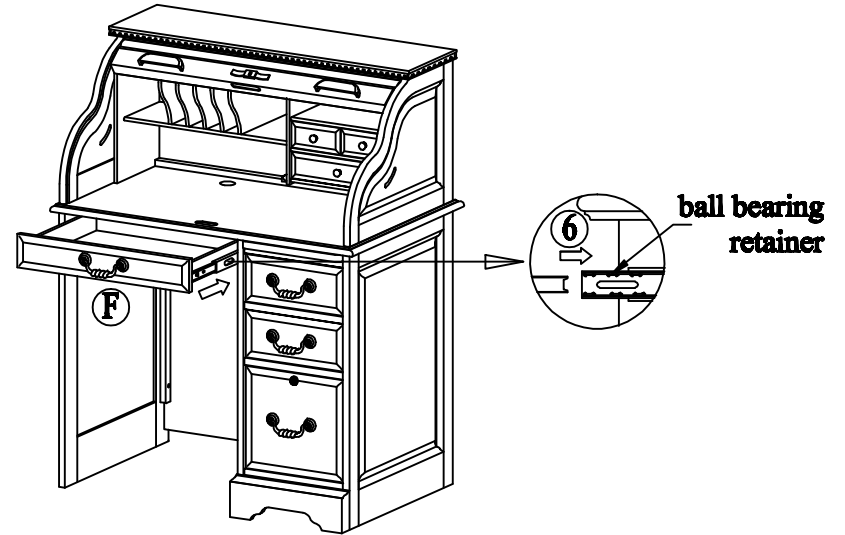


- ⑤ Insert short (3/4") flat head wood screws (6 PCS) through Metal figure 8 to connect Desk top (E) and Desk base.



- ⑥ Install the Drop Front center Drawer (F) to place.
- Important:**

(Be sure to move the ball bearing retainer all the way to the front of the glide and carefully slide the rails into the glides and ball bearing retainer.)



Assembly is now complete.