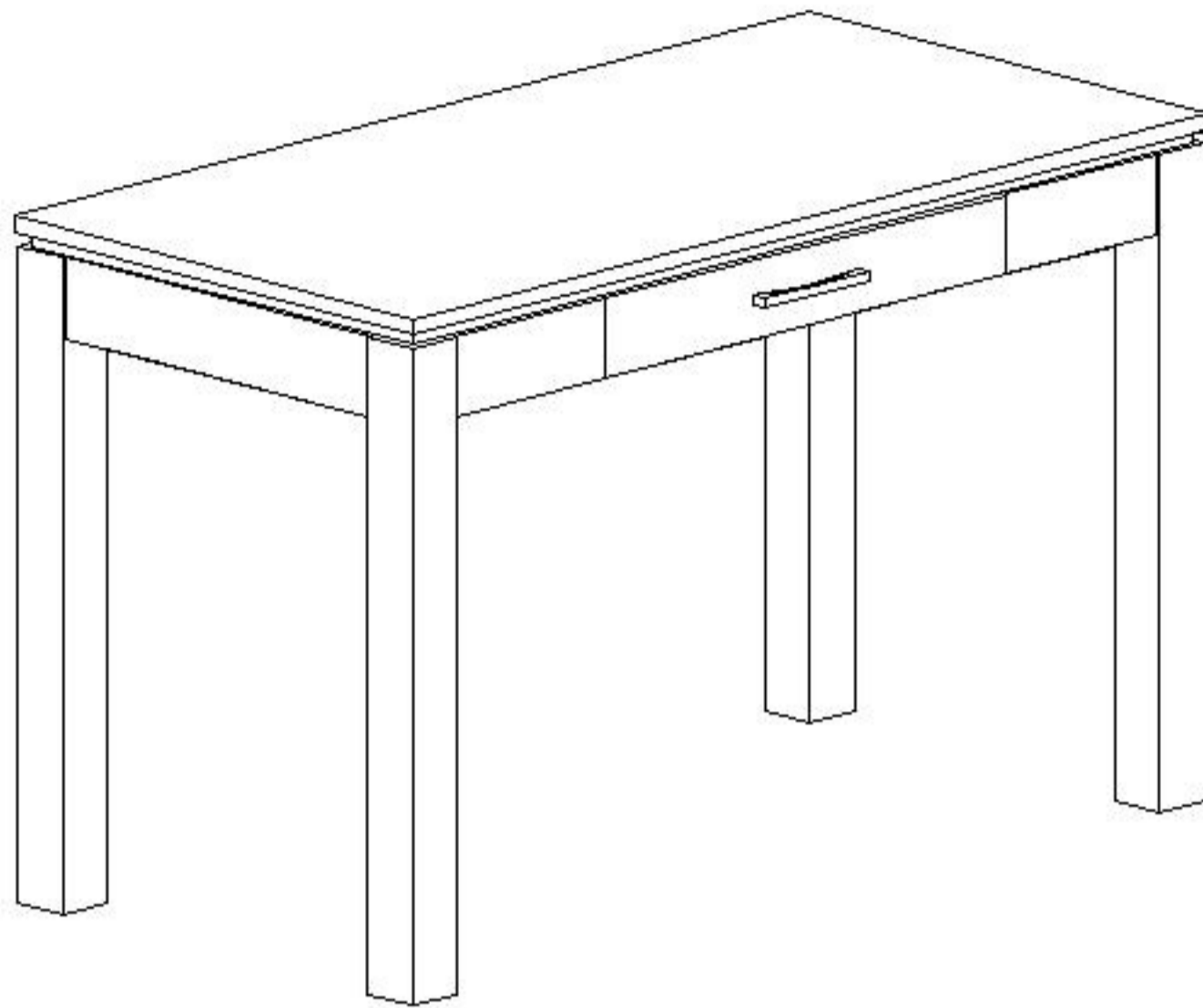


ALEXIS WRITING DESK

ASSEMBLY INSTRUCTION

Pg.1/3



Thank you for purchasing this quality product. Be sure to check all packing material carefully for small parts that may come loose inside the carton box during shipment.

IMPORTANT

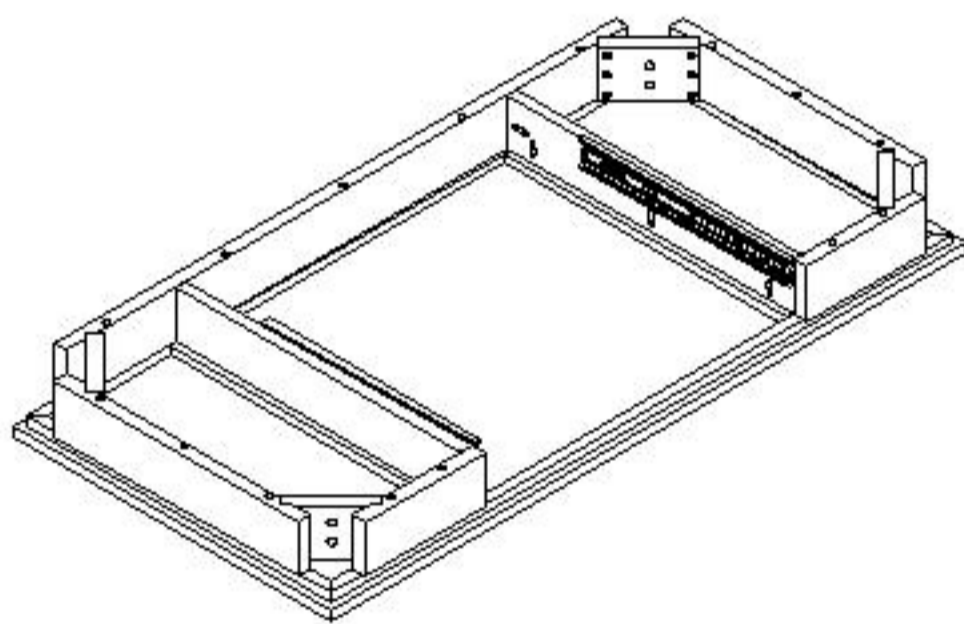
Please go through this assembly instruction before starting assembly. Kindly follow the sequence listed to assure fast, easy and correct assembly.

CARE & MAINTENANCE

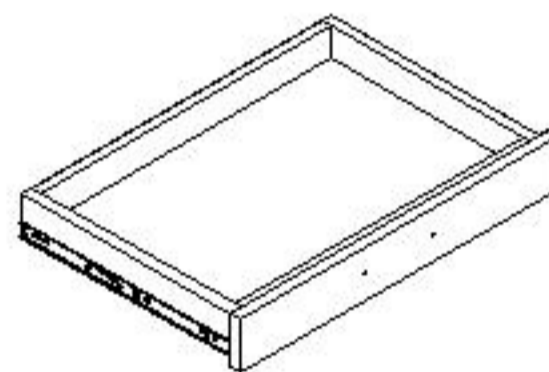
Wipe clean with soft cloth and furniture polish.

MADE IN MALAYSIA

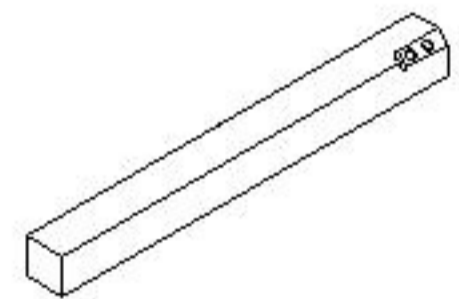
PARTS LIST



(A)
Table Top - 1 set



(B)
Drawer - 1 set



(C)
Leg - 4 pcs

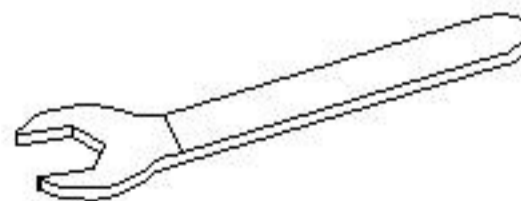
HARDWARE LIST



(1) M8x70mm
Hexagon Bolt - 8 pcs



(2) M8x18mm Flat
Washer - 8 pcs



(3) 13mm Wrench - 1 pc



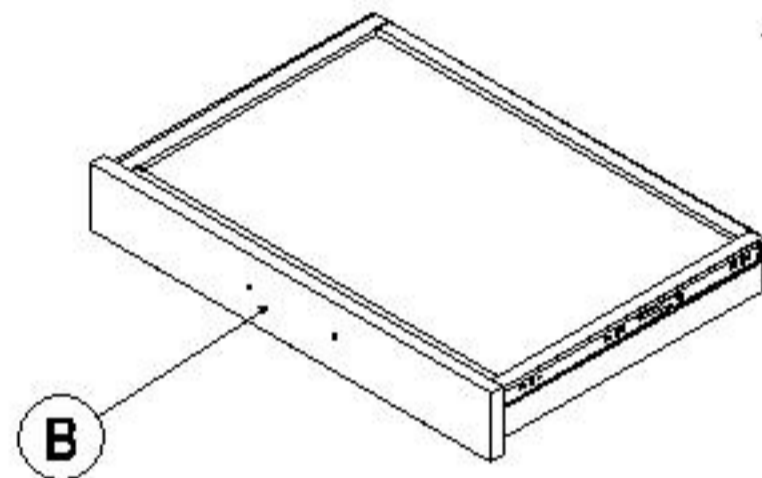
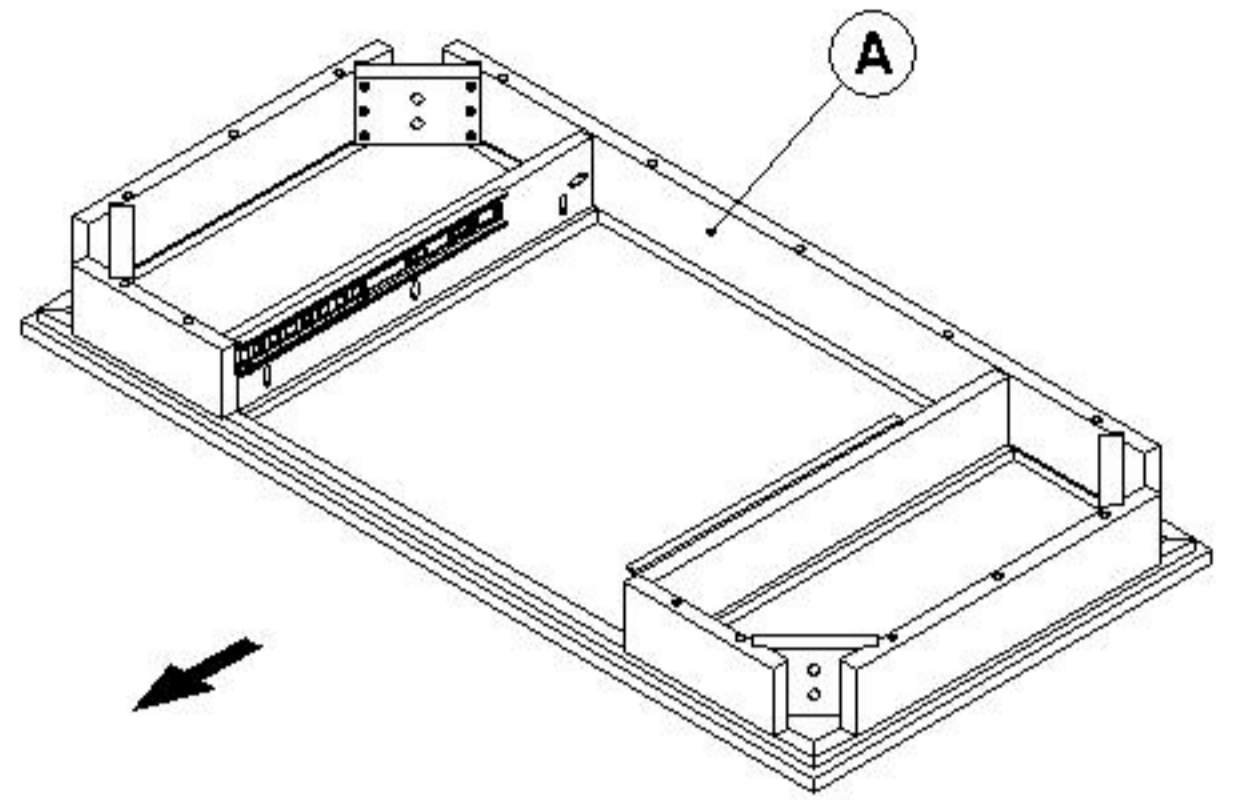
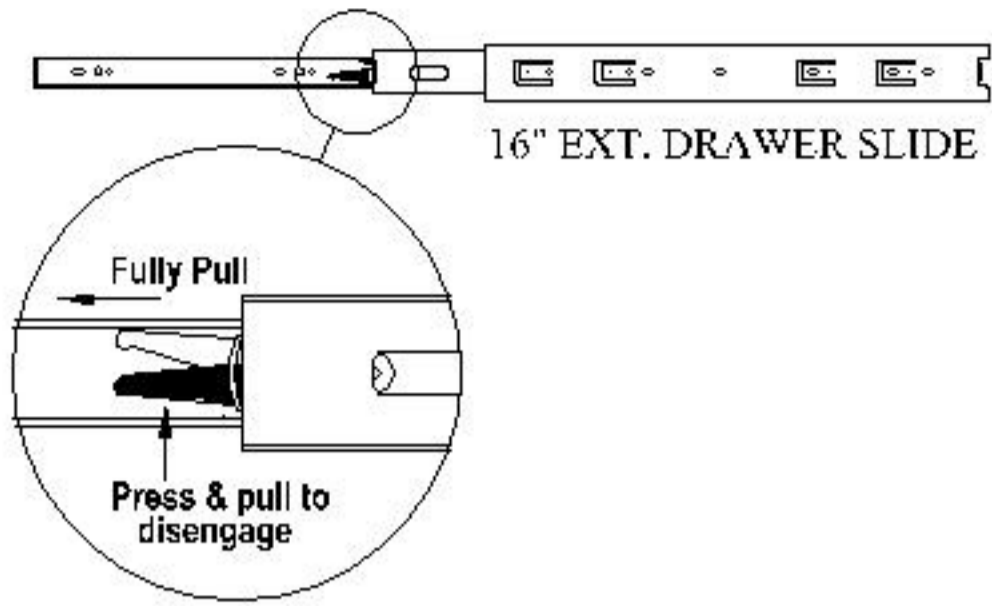
(4) M4x25mm Trust
Head Screw - 2 pcs



(5) Handle - 1 pc

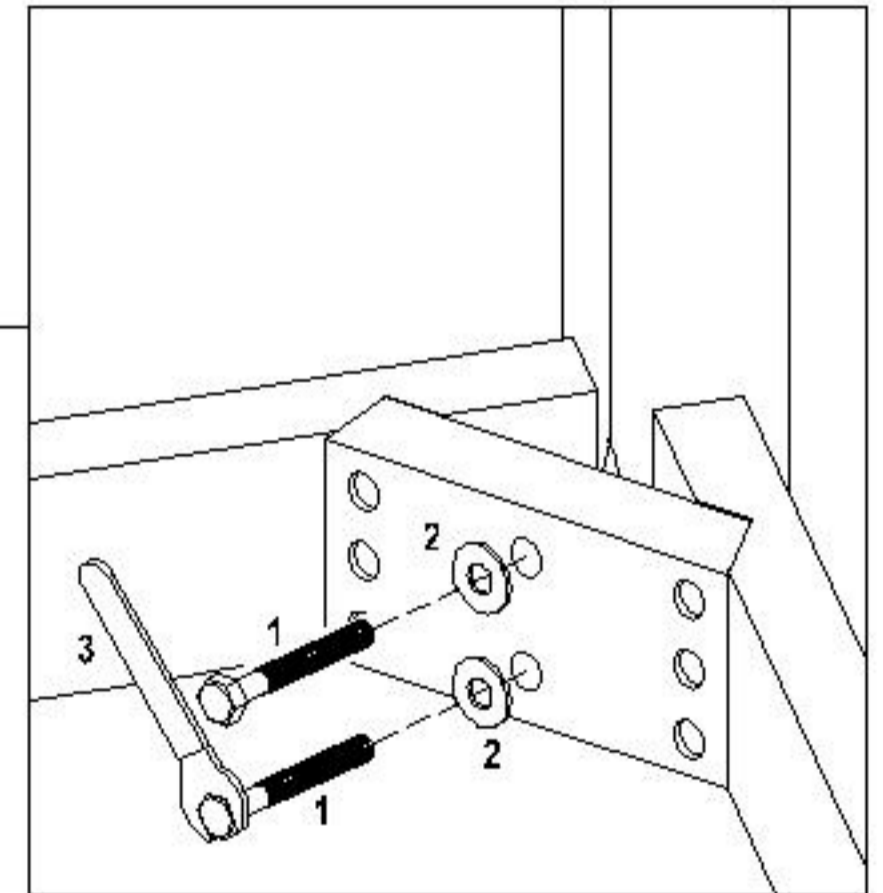
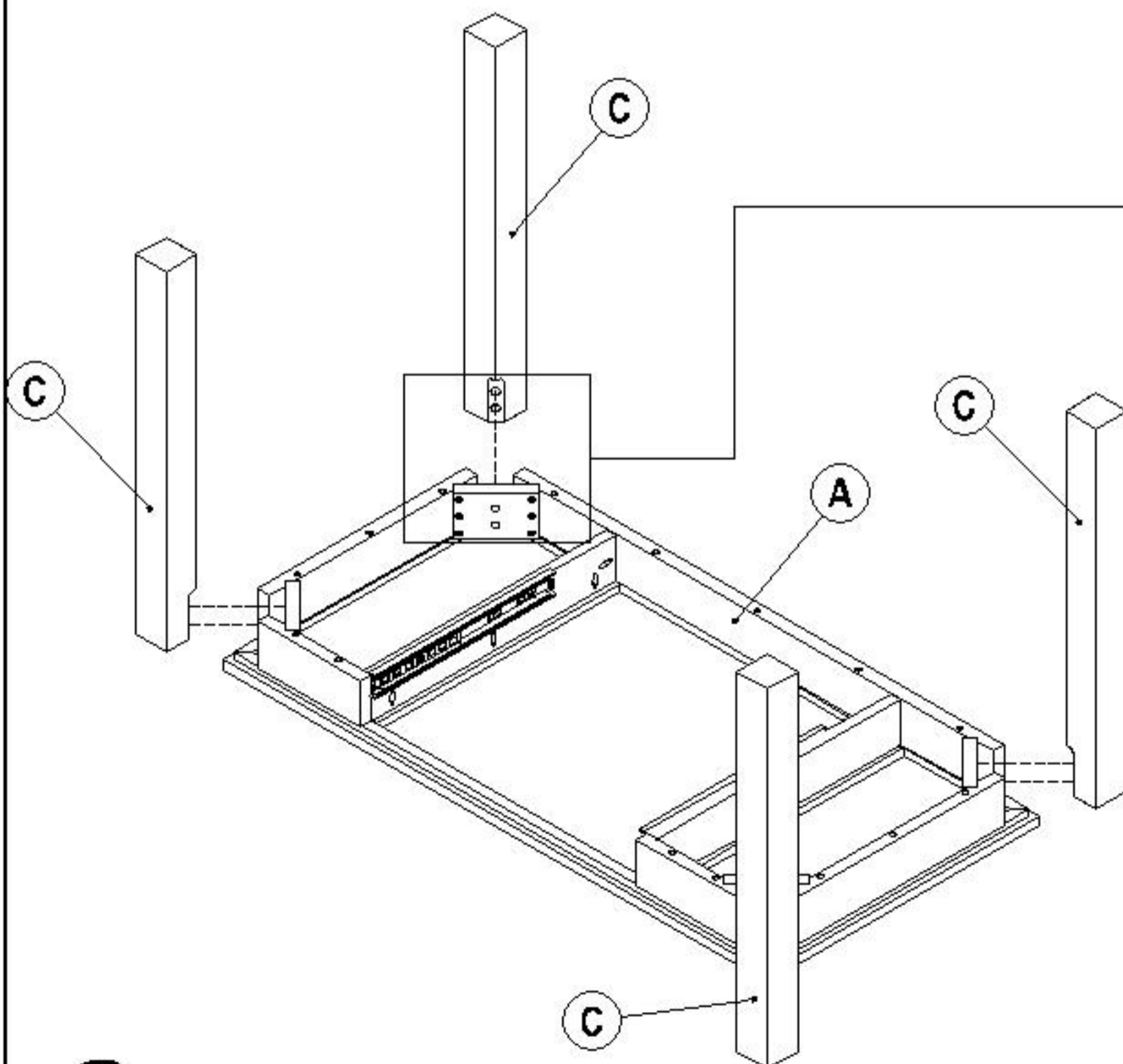
Note: EXTRA hardware are included

ALEXIS WRITING DESK ASSEMBLY INSTRUCTION



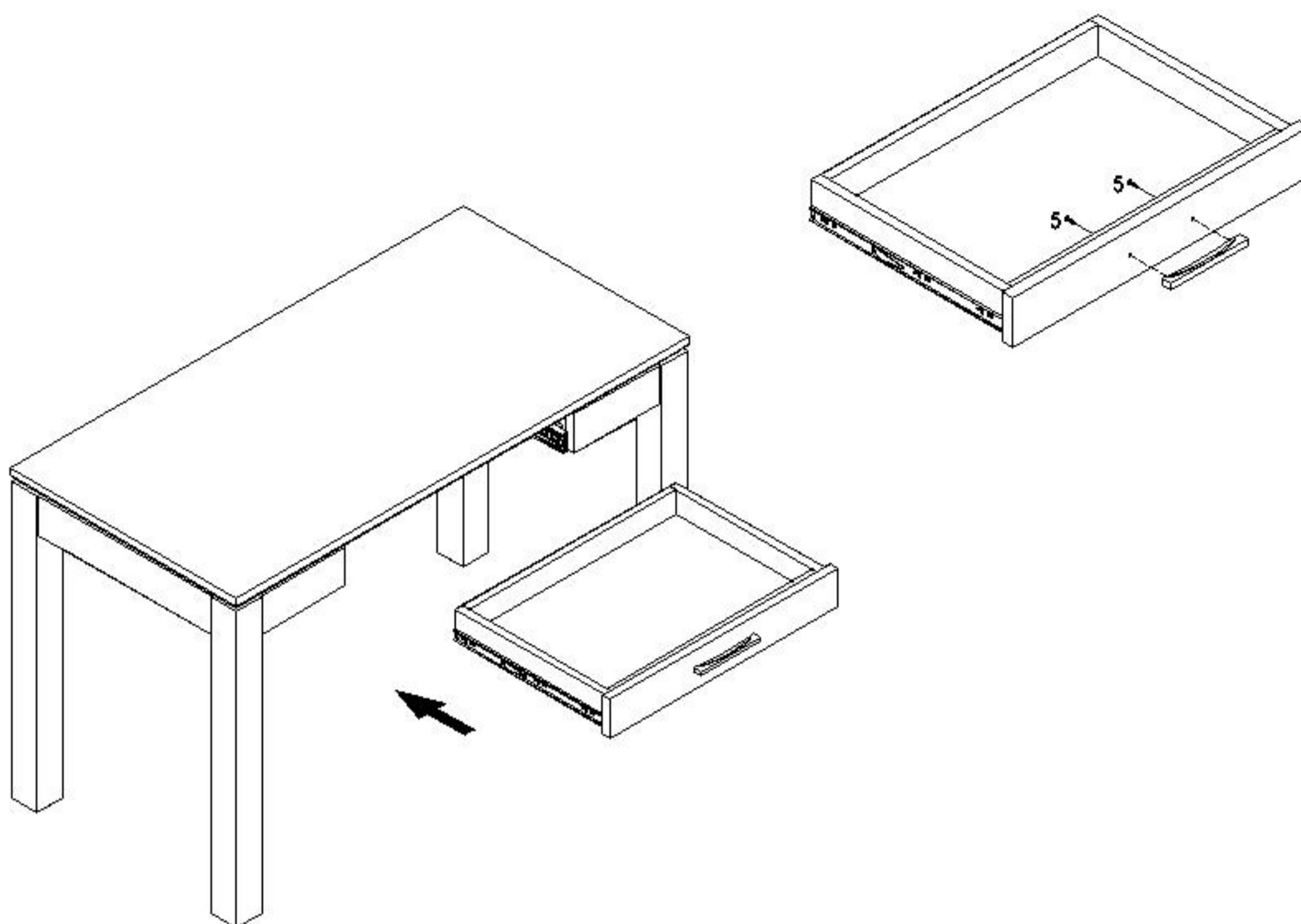
1

- (i) Carefully place the **TABLE TOP (A)** on a flat safe surface.
NOTE : Please find a suitable surface to avoid **damaging** the parts.
- (ii) Disengage 16" Ext. Drawer Slide by operating the release lever in the drawer slide (as per illustration above).
- (iii) Remove **DRAWER (B)** from the **TABLE TOP (A)**.



2

- (i) Attach **LEG (C)** to the **TABLE TOP (A)** using Hexagon Bolts (1) together with Flat Washer (2).
- (ii) Fully tighten Hexagon Bolts (1) with 13mm Wrench (3).



3

- (i) Install Handle (5) with Trust Head Screw (4) in correct position using Philips Head Screwdriver.
- (ii) Insert **DRAWER (B)** back to the **TABLE TOP (A)**.