







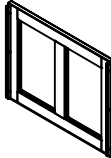
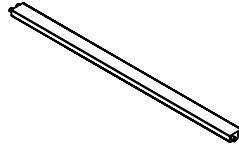
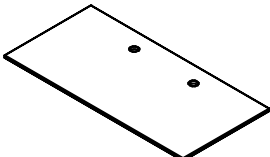
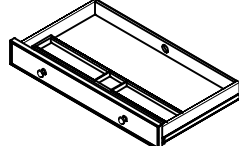


Hardware List

	6 PCS Machine Bolts(1-1/4")		2 PCS Metal Grommet
	2 PCS Keys For File Drawer Lock		2 PCS Long(1-1/4") Flat Head Wood Screws
	4 PCS Wood Dowels (φ8x25mm)		10 PCS Short (3/4") Flat Head Wood Screws

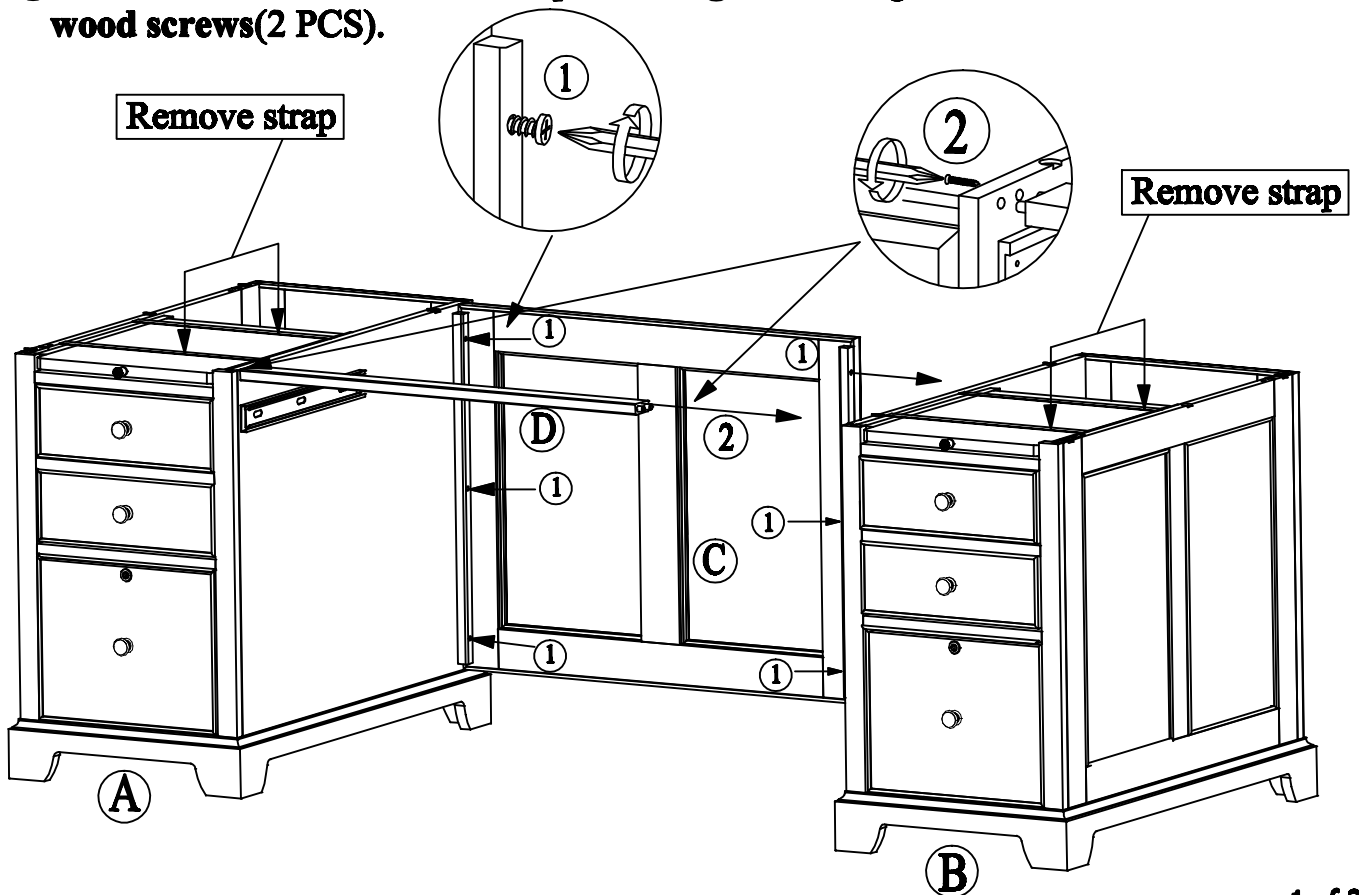
Parts List

A	PEDESTAL	1 PC	B	PEDESTAL	1 PC	C	BACK PANEL	1 PC
								
D	CROSS BAR	1 PC	E	DESK TOP	1 PC	F	DROP FRONT CENTER DRAWER	1 PC
								

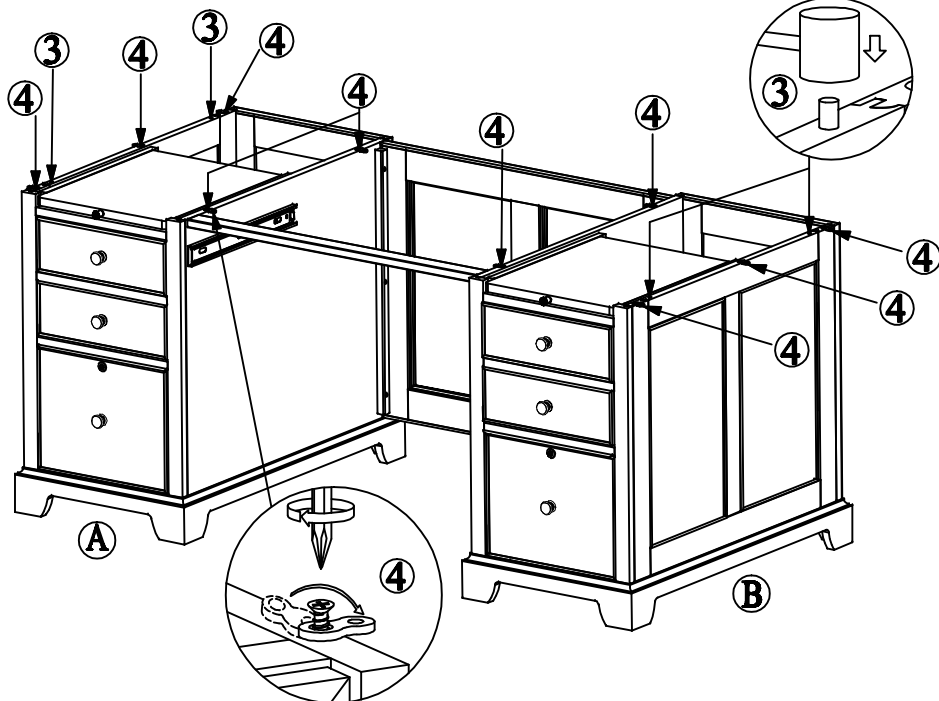
Notes: Need two people to assemble.

Instructions:

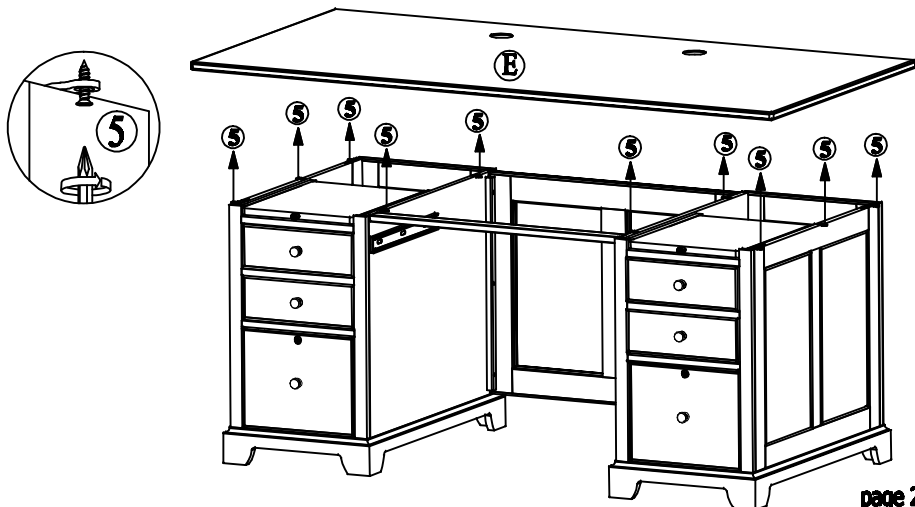
- ① Move the pedestals **(A)** **(B)** to the desired location , insert and tighten **machine bolts (1-1/4")**(6 PCS) to connect **backpanel (C)** to the pedestals **(A)** and **(B)** .
- ② Insert center **Cross Bar(D)** to the pedestals **(A)** and **(B)** , tighten with **1-1/4" flat head wood screws**(2 PCS).



- ③ Insert two wood dowels (4 PCS) in each pedestal (A)(B).
- ④ Loosen the screw to adjust metal figure 8 (10 PCS) of its direction of the panel.



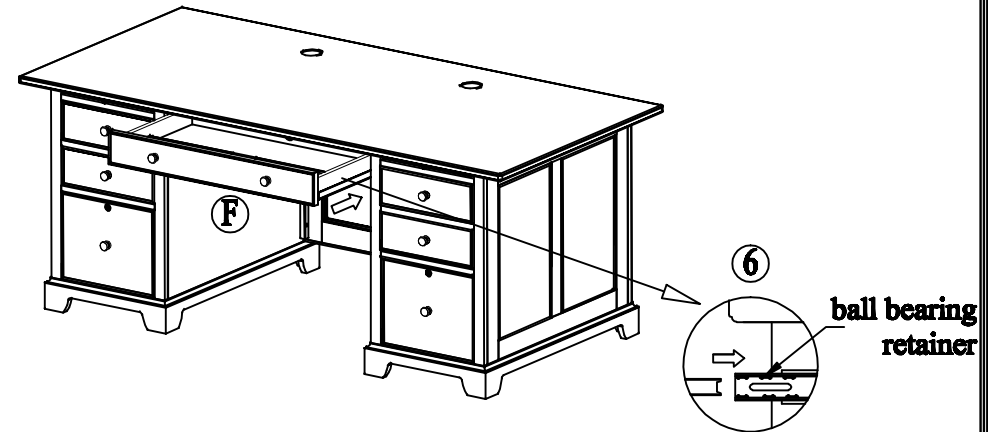
- ⑤ Insert short (3/4") flat head wood screws (10 PCS) through metal figure 8 to connect Desk Top (E) and pedestals.



- ⑥ Install the Drop Front center Drawer (F) to place.

Important:

(Be sure to move the ball bearing retainer all the way to the front of the glide and carefully slide the rails into the glides and ball bearing retainer.)



Assembly is now complete.